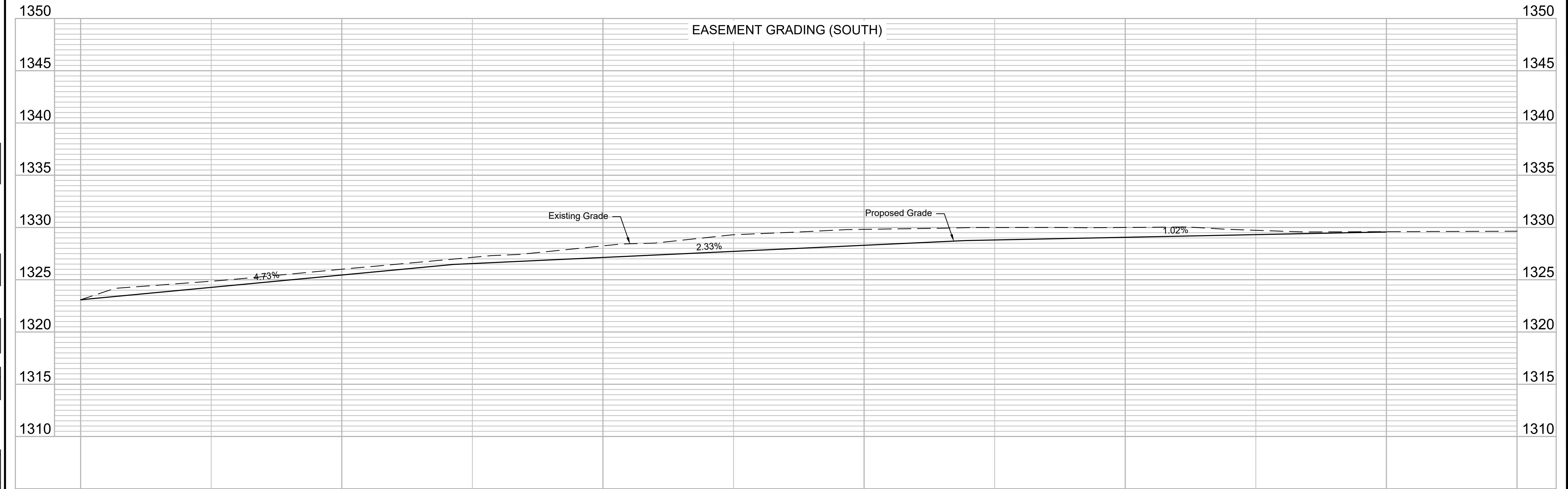
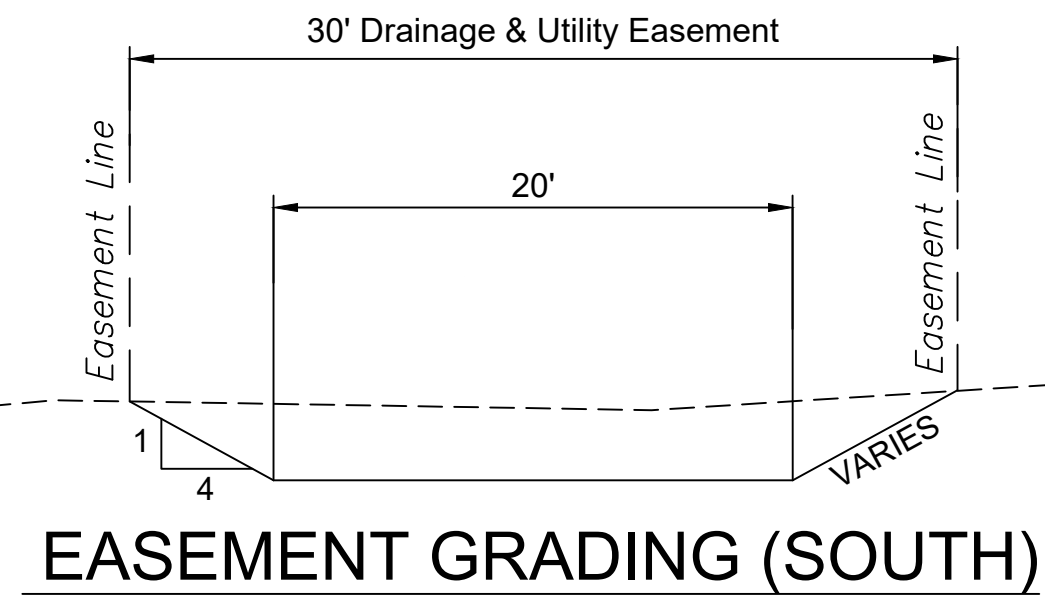
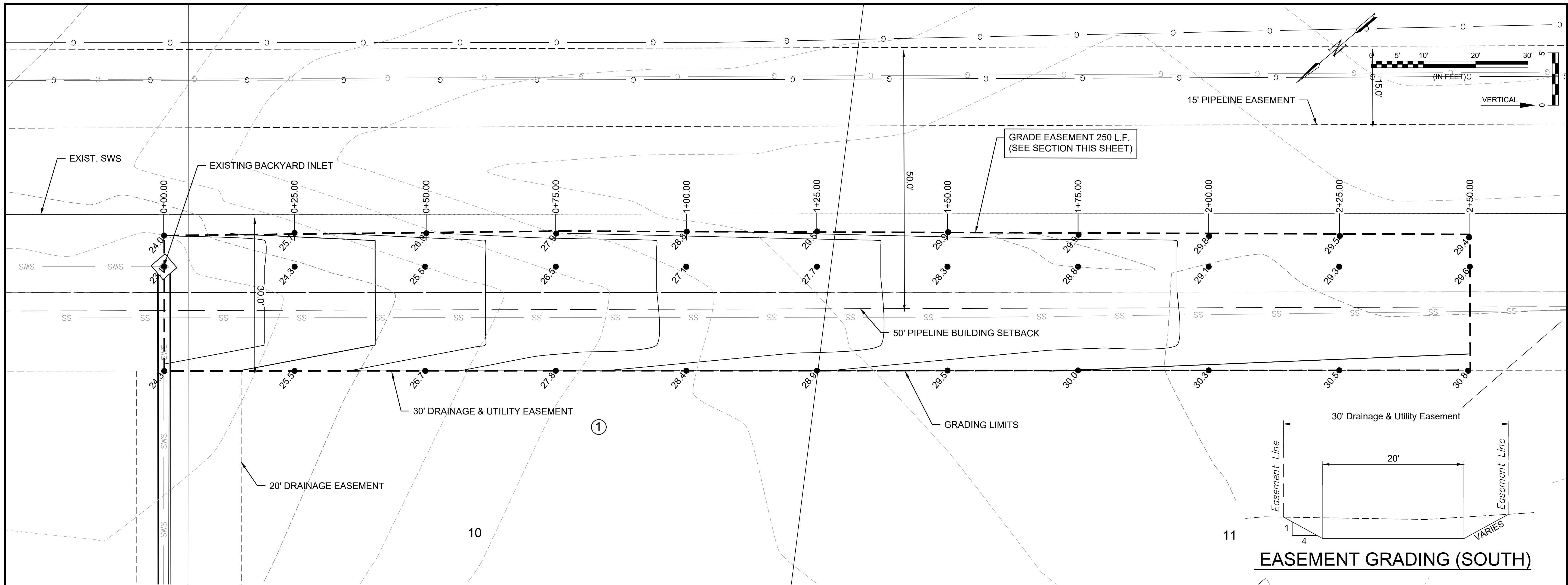




© 2021 GARVER, LLC  
 THIS DOCUMENT, ALONG WITH THE IDEAS AND DESIGNS CONVEYED HEREIN, SHALL BE CONSIDERED INSTRUMENTS OF PROFESSIONAL SERVICE AND ARE PROPERTY OF GARVER, LLC. ANY USE, REPRODUCTION, OR DISTRIBUTION OF THIS DOCUMENT, ALONG WITH THE IDEAS AND DESIGN CONTAINED HEREIN, IS PROHIBITED UNLESS AUTHORIZED IN WRITING BY GARVER, LLC OR EXPLICITLY ALLOWED IN THE GOVERNING PROFESSIONAL SERVICES AGREEMENT FOR THIS WORK.

1995 Midfield Road  
 Wichita, KS 67209  
 (316) 264-8008



REV.	DATE	DESCRIPTION	BY

CITY OF WICHITA  
 WICHITA, KANSAS  
 PAVING PLANS  
 EMERALD BAY 4TH, PHASE 3

**EASEMENT GRADING (SOUTH)**

JOB NO.: 21T41004  
 DATE: NOV. 2021  
 DESIGNED BY: .  
 DRAWN BY: .

BAR IS ONE INCH ON ORIGINAL DRAWING  
 IF NOT ONE INCH ON THIS SHEET, ADJUST SCALES ACCORDINGLY.

DRAWING NUMBER

File: L:\2021\12\14\1004 - Emerald Bay 4th Ph 3\Drawings\C3D\Paving\EASEMENT GRADING (SOUTH).dwg Last Save: 11/16/2021 1:48 PM Last saved by: MCarneraPiedra  
 Last plotted by: Glover, Eric J. Plot Style: --- Plot Scale: 1:2,5649 Plot Date: 11/17/2021 8:47 AM Plotter used: None