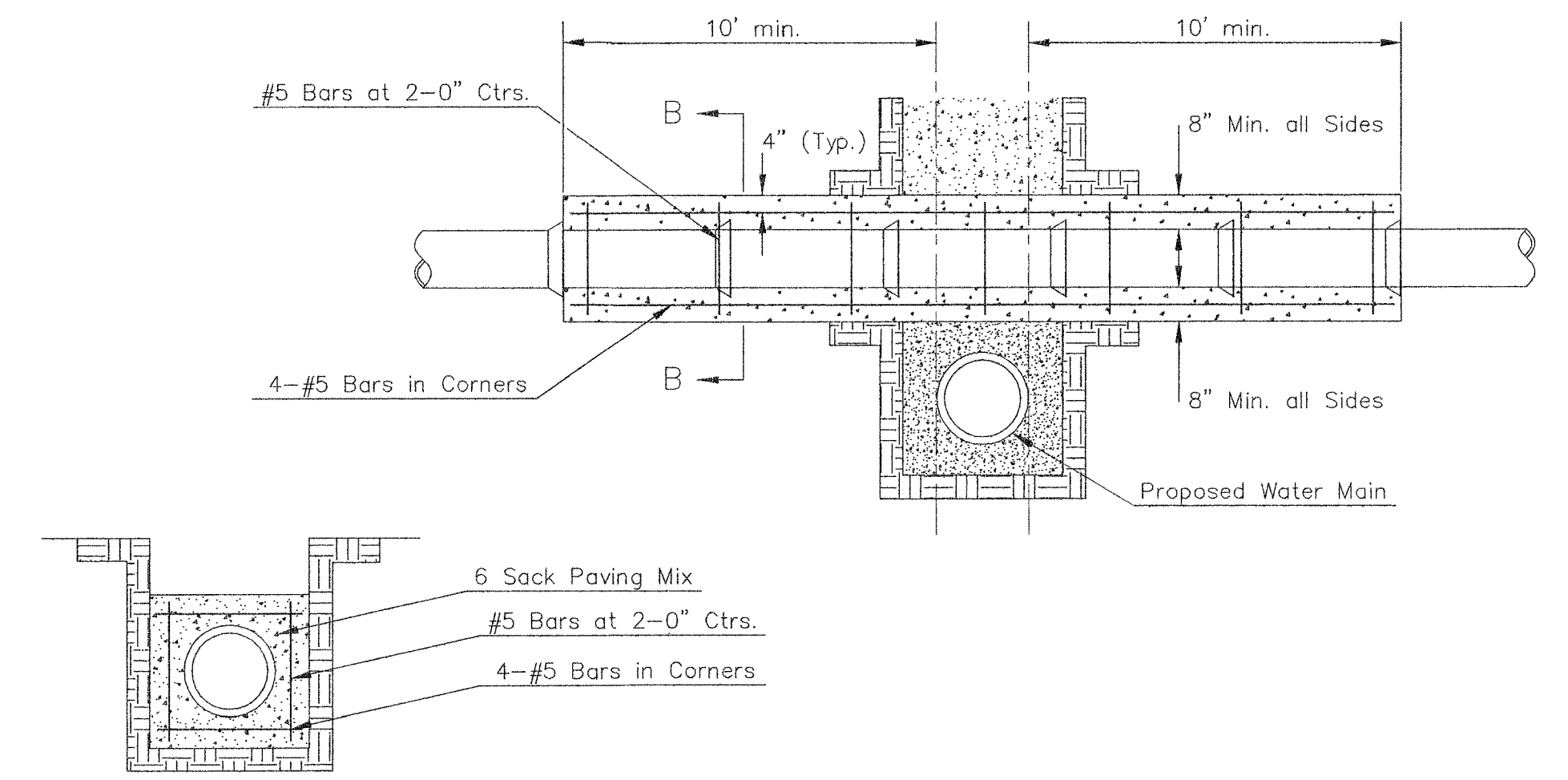


TRENCH COMPACTION IN ROAD RIGHT-OF-WAY

SIDE VIEW



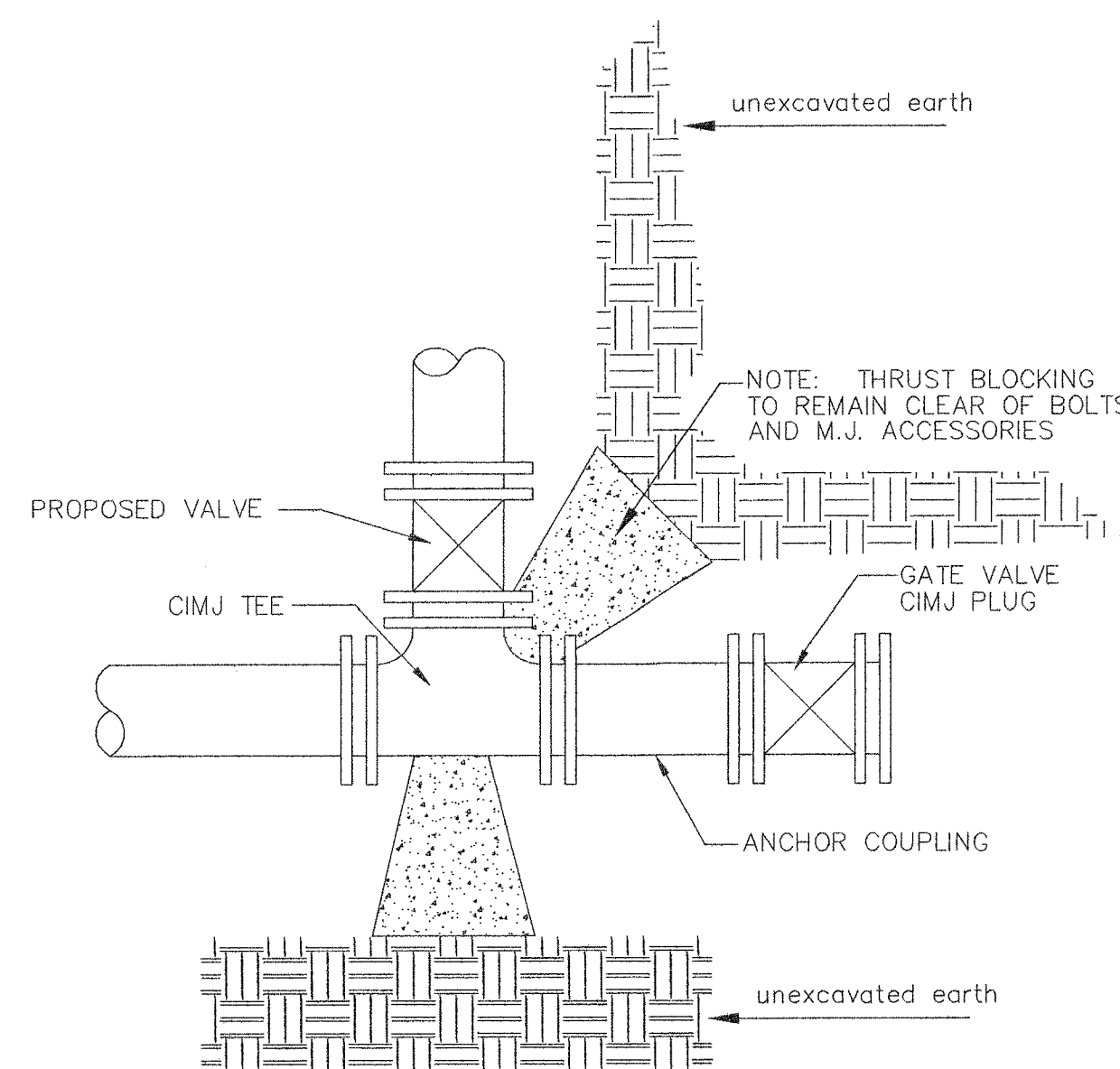
SECTION B-B

REINFORCED CONCRETE ENCASUREMENT OF SANITARY SEWER

Note: Encasement to begin and end at a Bell on Sanitary Sewer Pipe.

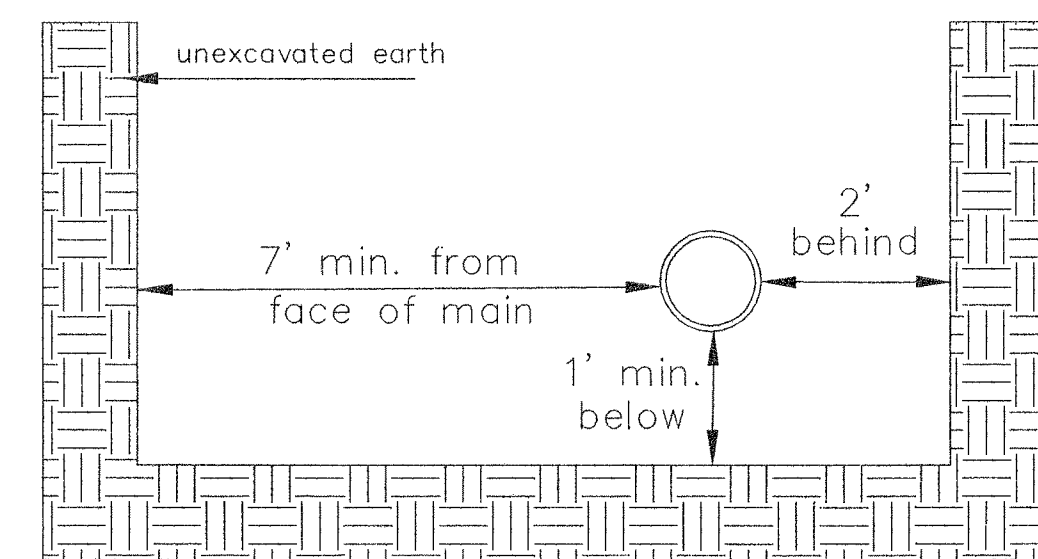
PIPE SIZE	THRUST AT FITTINGS IN TONS--AT 150#/IN ² P					
	PLUG	90°	45°	22 1/2°	11 1/4°	TEE
6"	2.8	3.95	2.15	1.09	.55	2.8
8"	4.9	6.95	3.75	1.90	.96	4.9
12"	11.4	16.1	8.75	4.45	2.25	11.4
16"	20.15	28.5	15.4	7.85	3.95	20.15
20"	31.15	44.0	23.85	12.15	6.10	31.15
24"	44.55	63.0	34.1	17.4	8.75	44.55

TYPICAL THRUST BLOCKS



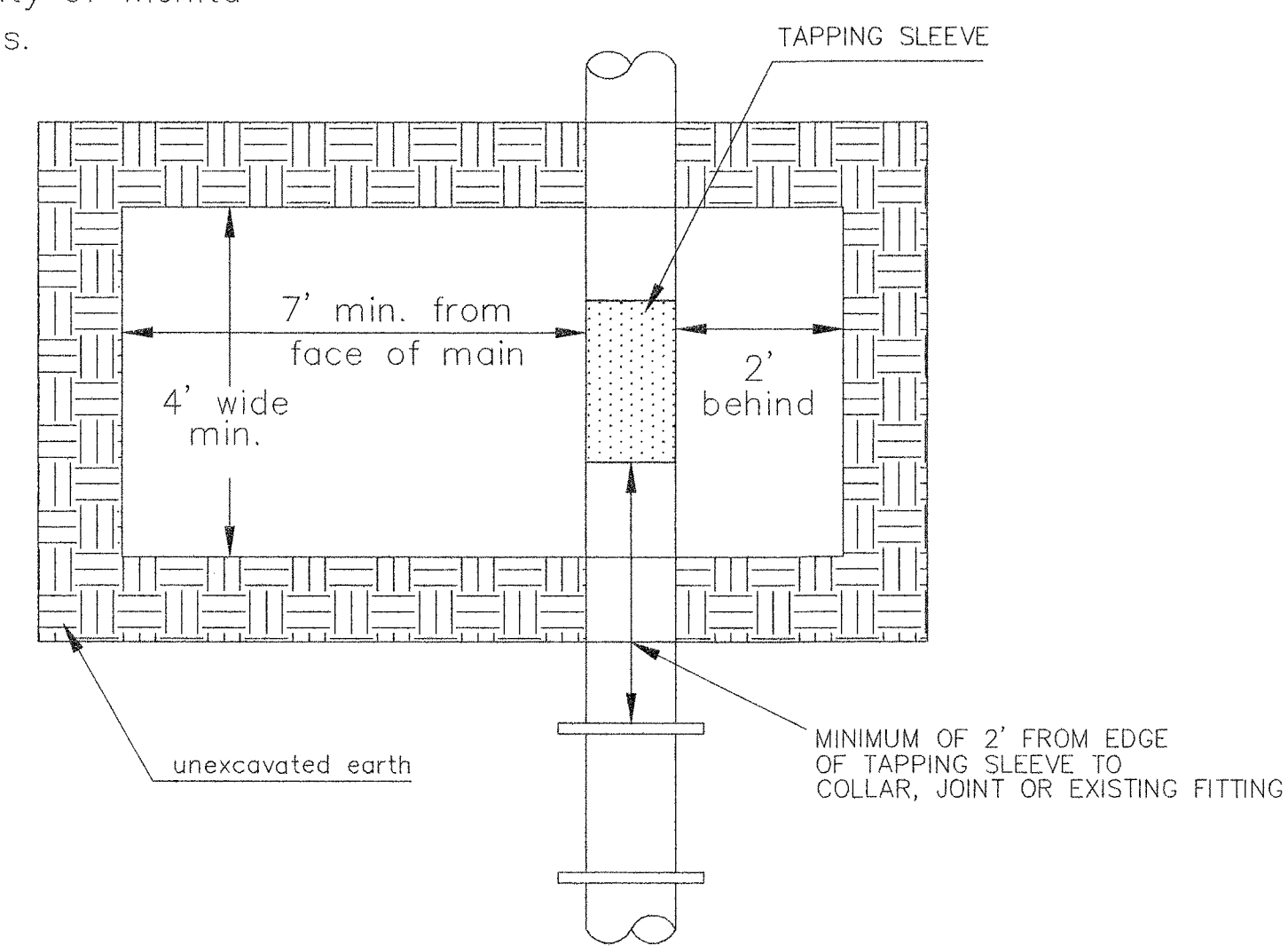
KEY BLOCK DETAIL

* PLANS GOVERN UNLESS OTHERWISE NOTED ON PLANS

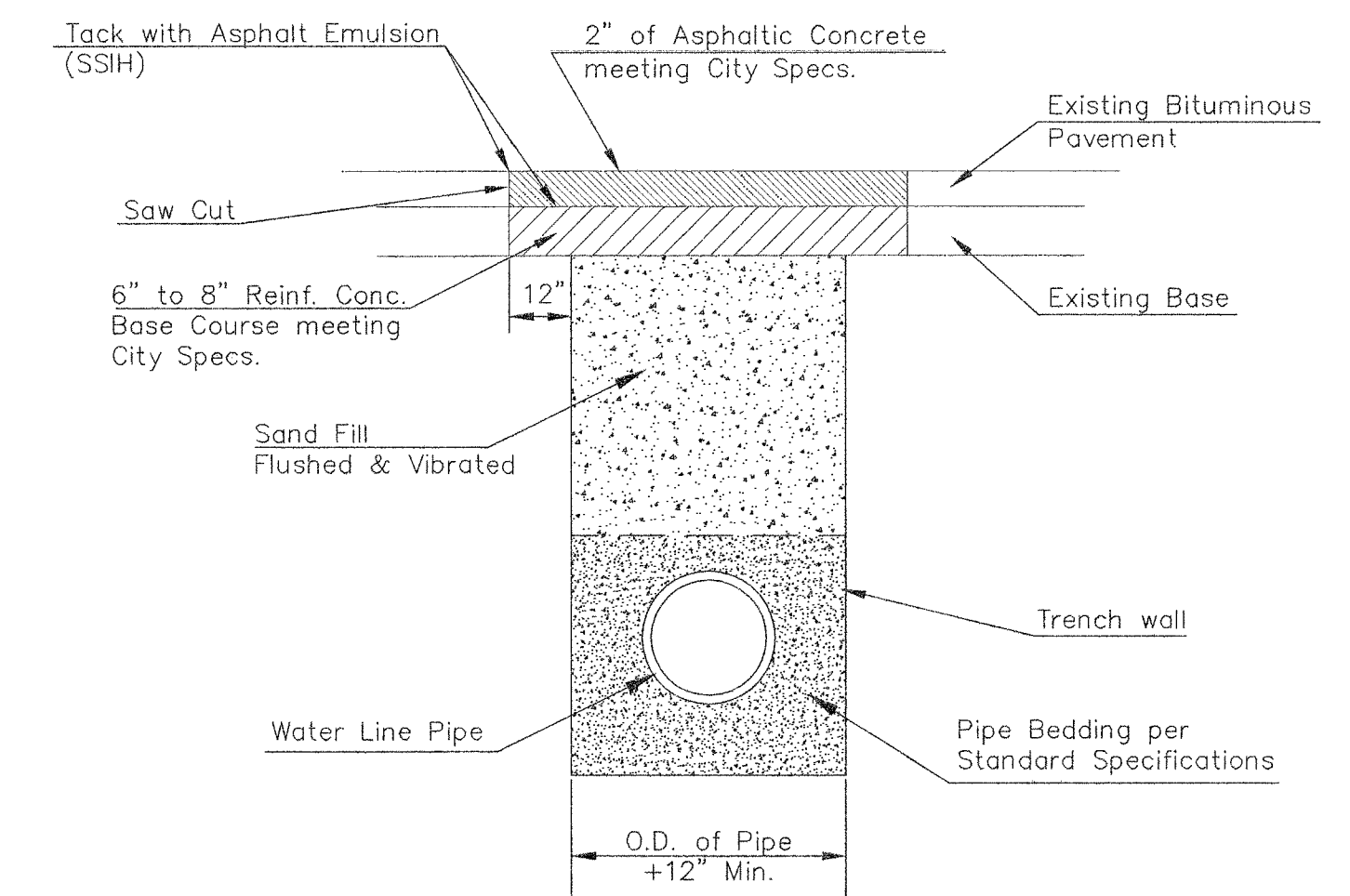


Note: When shoring is required it is to be per The City of Wichita Standard Specifications.

TOP VIEW

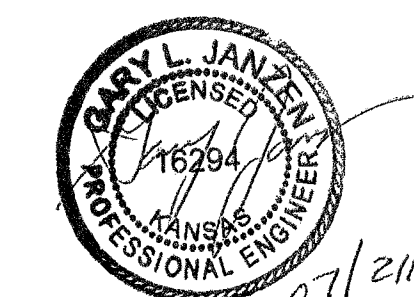



EXCAVATION FOR WET TAP



PAVEMENT REPLACEMENT & TRENCH COMPACTION UNDER EXISTING AND PROPOSED CITY ROADS

REVISED: JULY 2015



 CITY OF WICHITA PUBLIC WORKS & UTILITIES ENGINEERING DIVISION			MISCELLANEOUS WATER DETAILS CITY ENGINEER GARY JANZEN, P.E.		
			PROJECT NUMBER 448-2021-037399	OCA NUMBER 54250121	DATE DEC. 2021