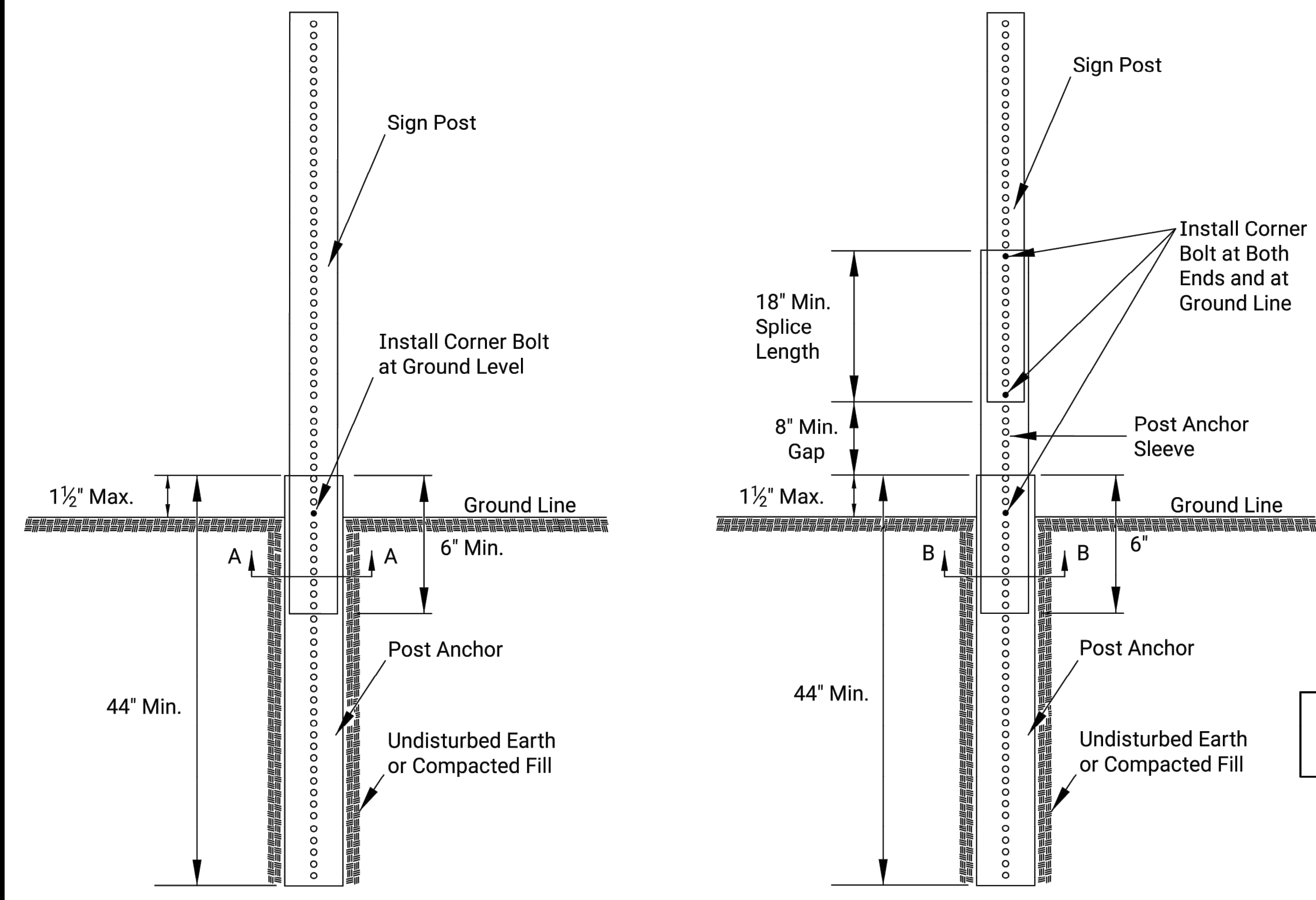


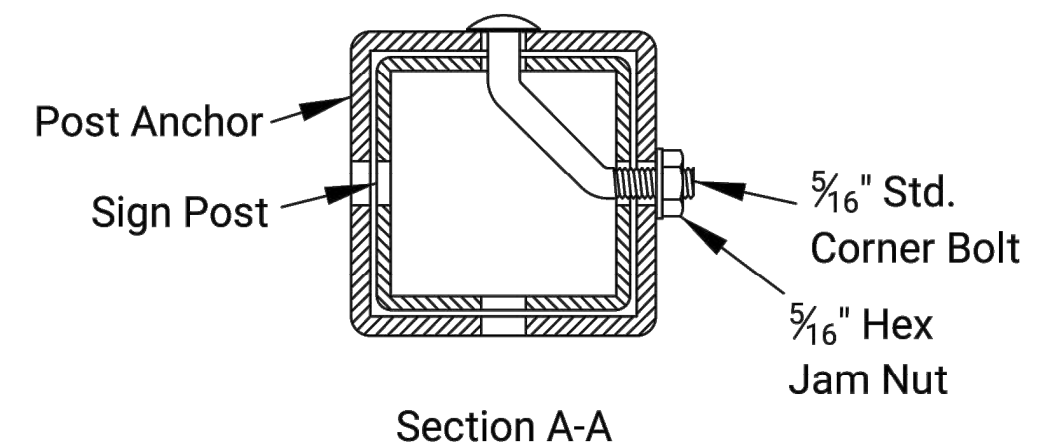
STATE	PROJECT NO.	YEAR	SHEET NO.	TOTAL SHEETS
KANSAS	1901010483	2022	25	31

PERFORATED SQUARE STEEL TUBE (P.S.S.T.) POST SETUP

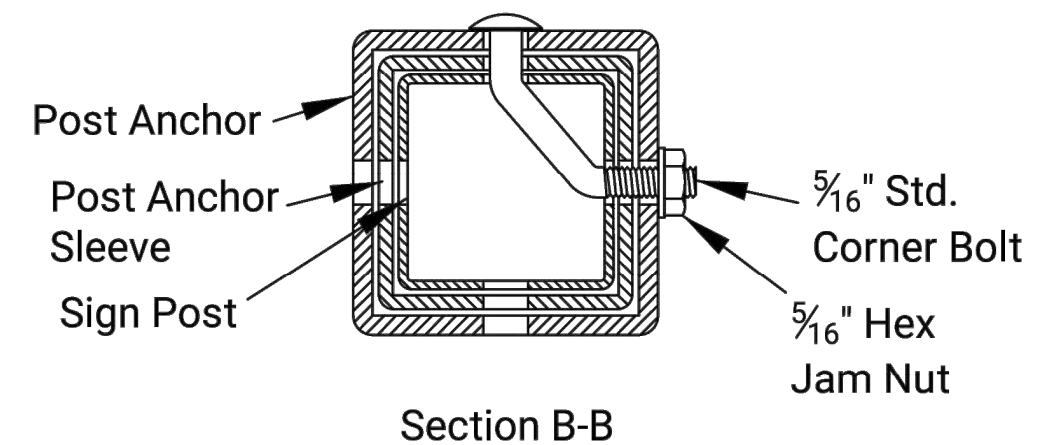


P.S.S.T. Detail

Telescoping P.S.S.T. Detail



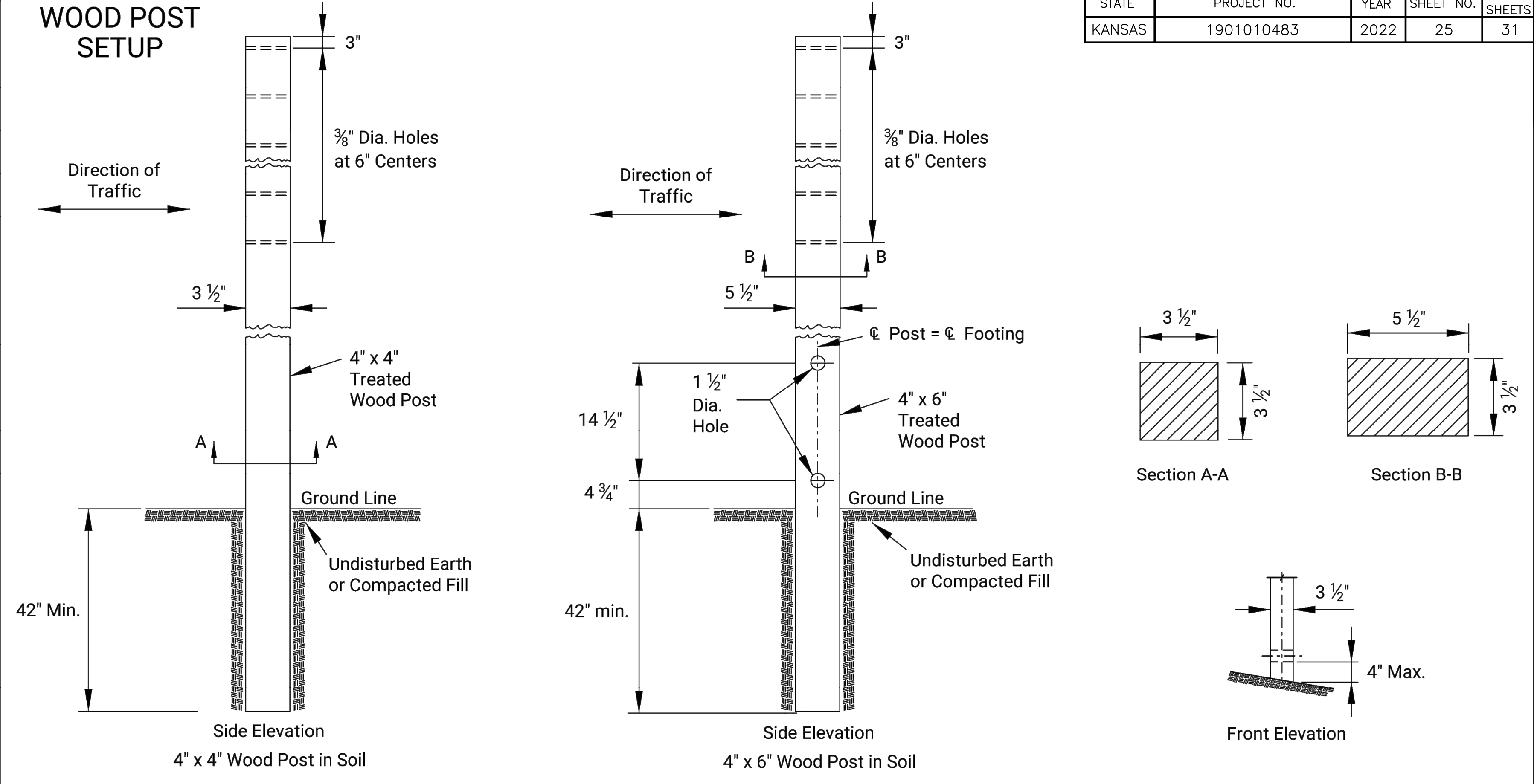
Section A-A



Section B-B

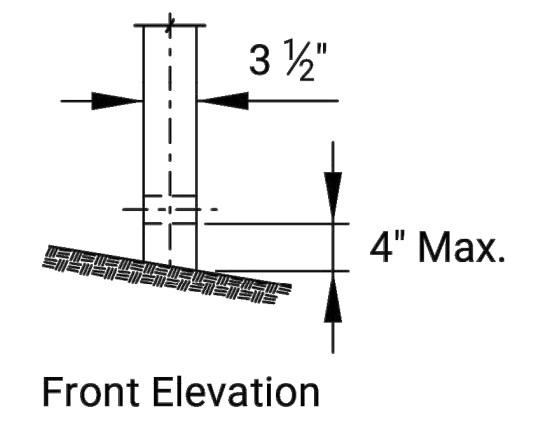
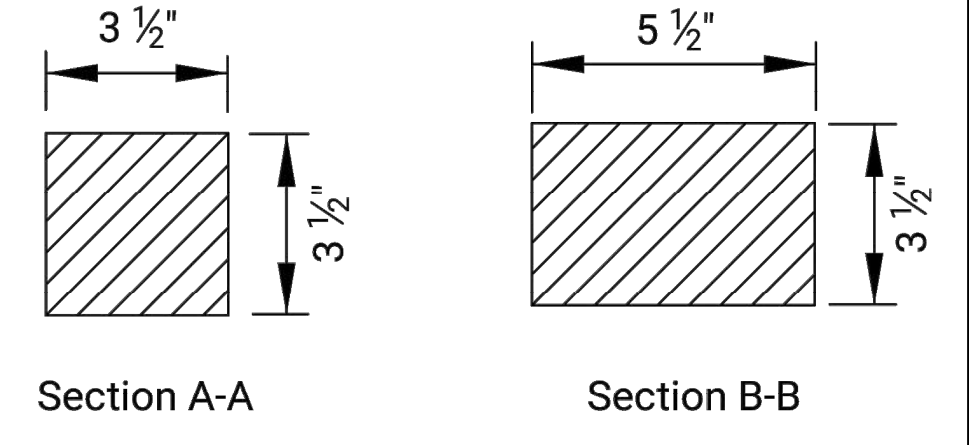
Details for 2", 2 1/4", or 2 1/2" sign posts
Place bolts in the same corner along each sign post.

WOOD POST SETUP



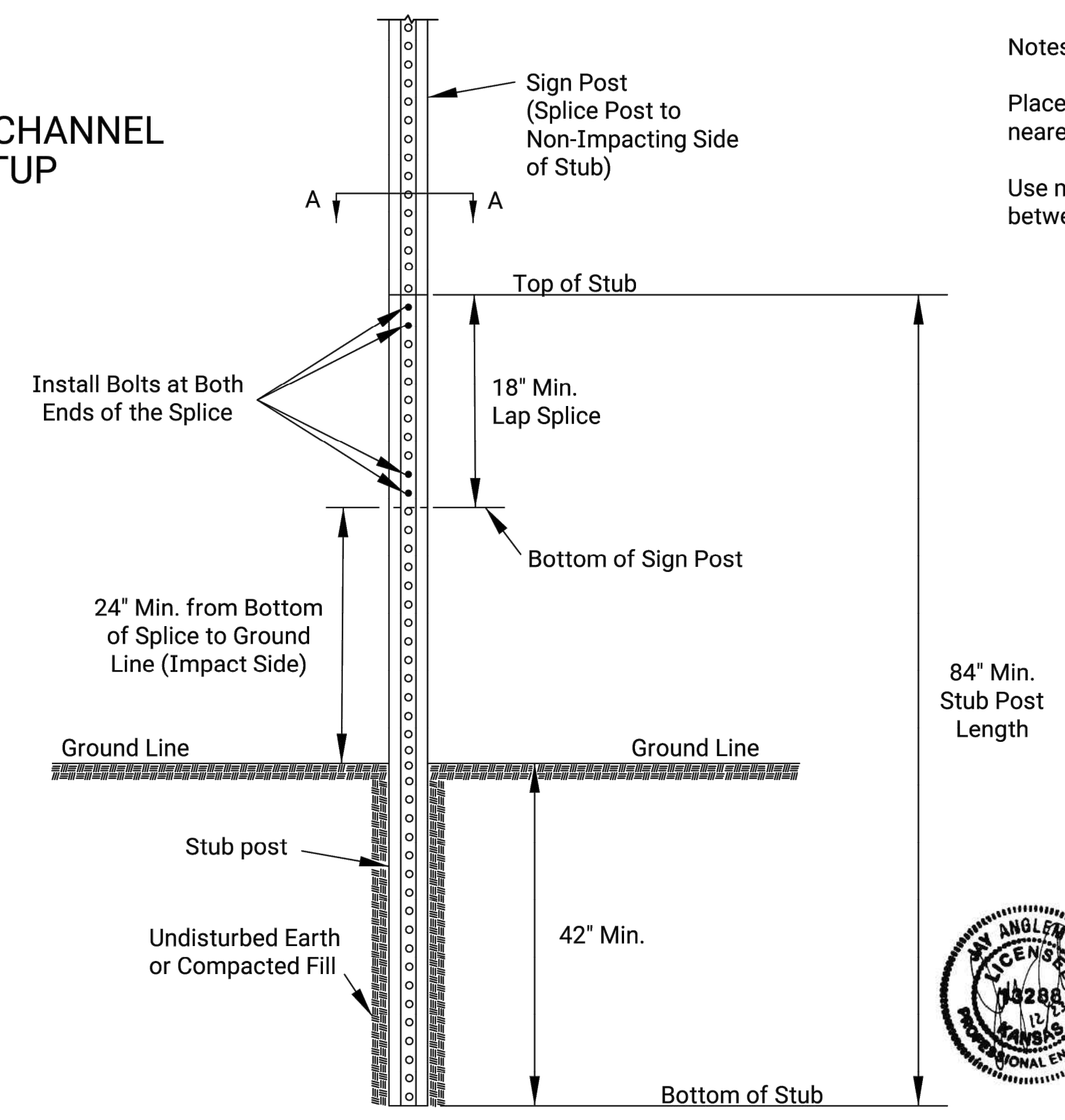
Side Elevation
4" x 4" Wood Post in Soil

Side Elevation
4" x 6" Wood Post in Soil

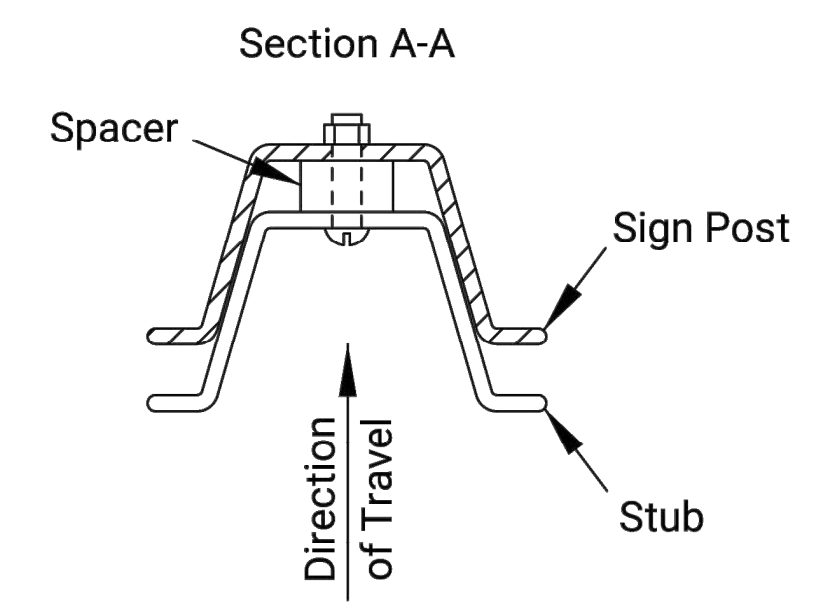


See TE710 for Additional Details and Requirements

3 LB/F U-CHANNEL SETUP



Notes:
Place two bolts at both ends of the splice through the holes nearest the ends of the splice.
Use manufacturer recommended spacers over the bolts between the spliced pieces of U-Channel.



3					
2					
1					
NO.	DATE	REVISIONS	BY	APP'D	

KANSAS DEPARTMENT OF TRANSPORTATION

TRAFFIC CONTROL SIGN POSTS

TE712

DESIGNED	B.A.H.	DATE	06/01/15	APP'D	Kristina Pyle
DESIGN CK.		DETAIL CK.		QUAN. CK.	

