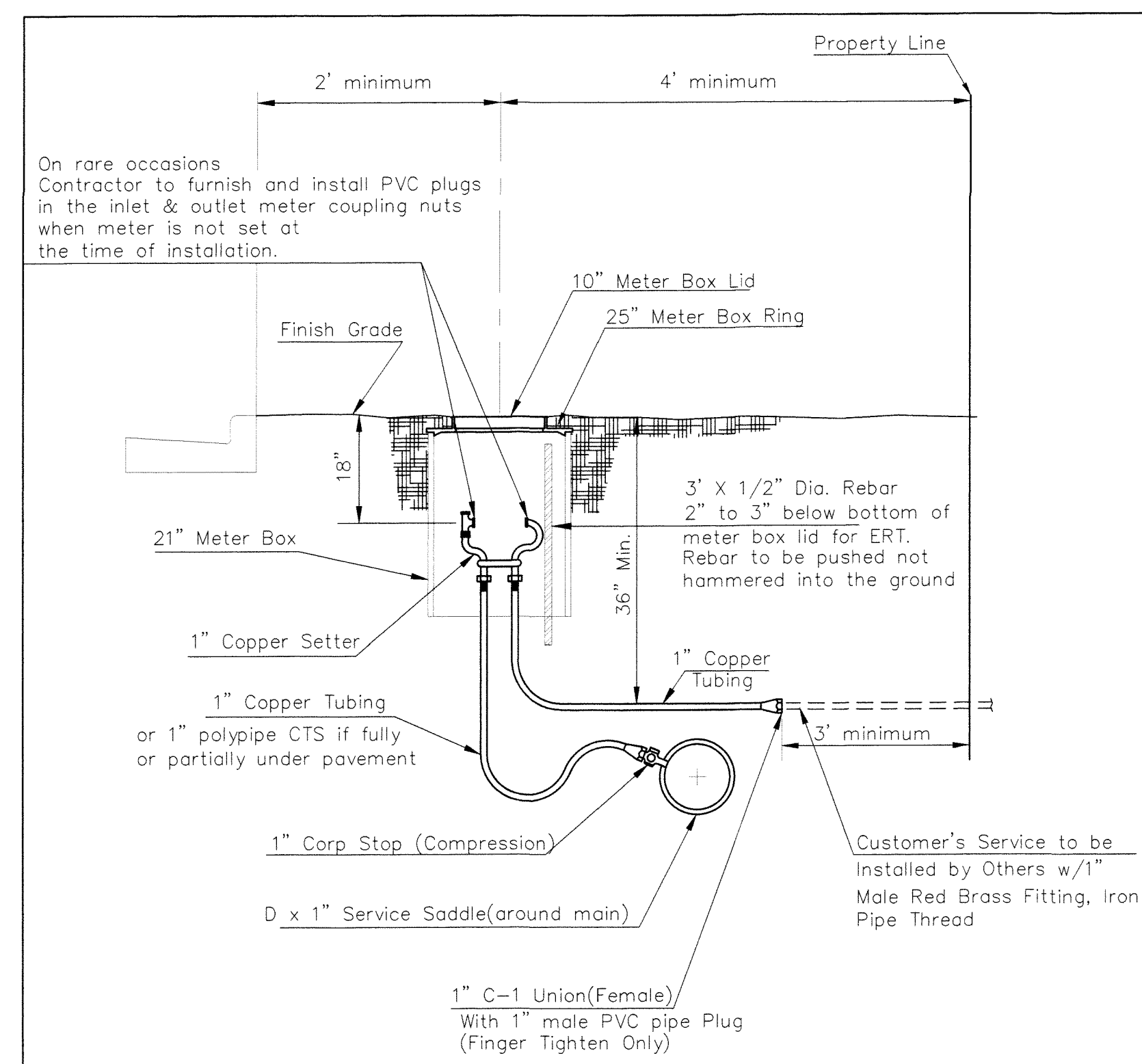
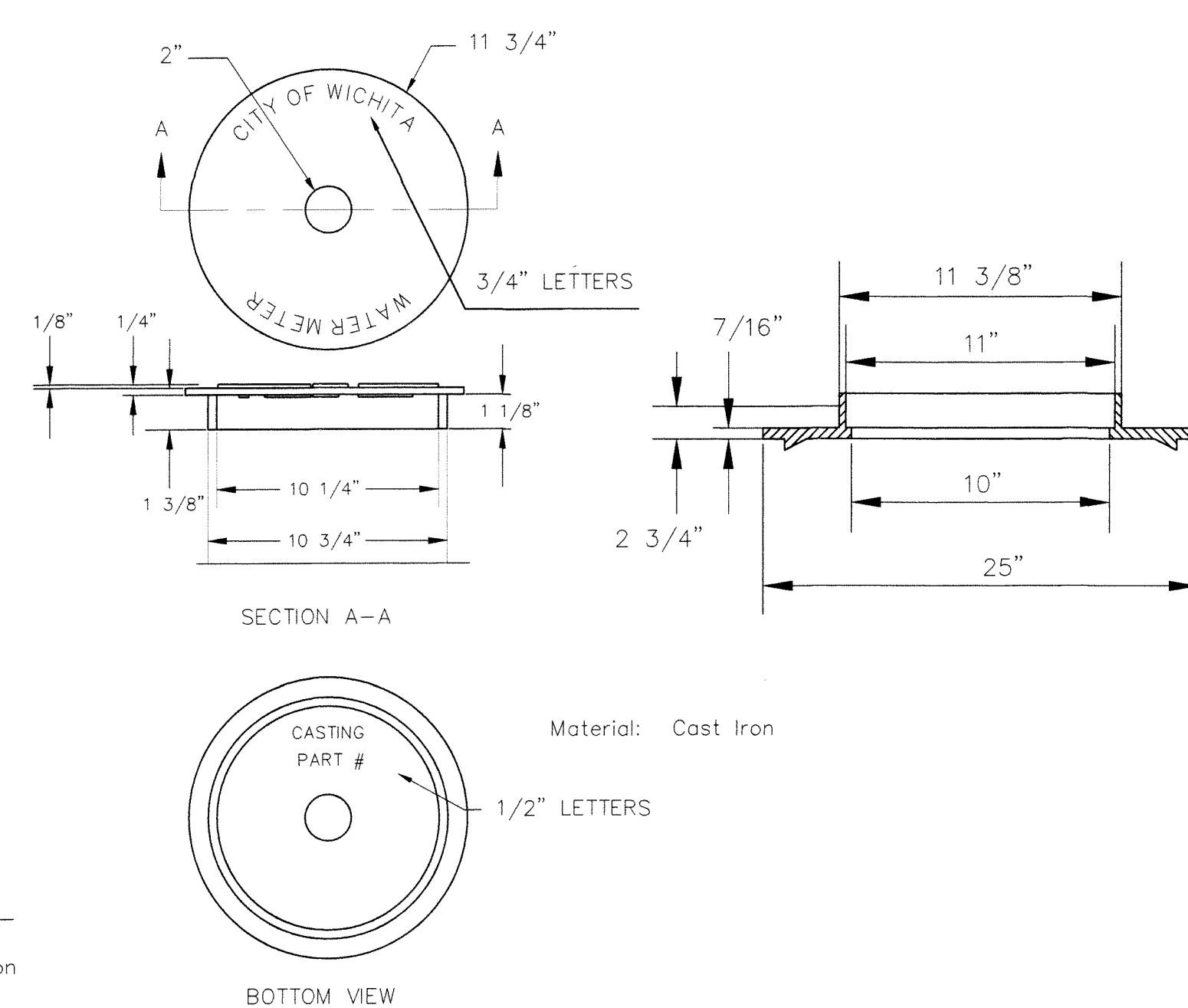


Updated 01/2019



Minimum length of pigtail on consumer side is 36" of copper tubing from meter set.  
Bore hole under paving shall be a maximum of 2" in diameter and a minimum of 36" below top of pavement.  
Service Saddles are required on all mains.  
Meter boxes will be located on each lot to be served, as indicated in the SPECIAL PROVISIONS

TYPICAL 1" METER SETTING

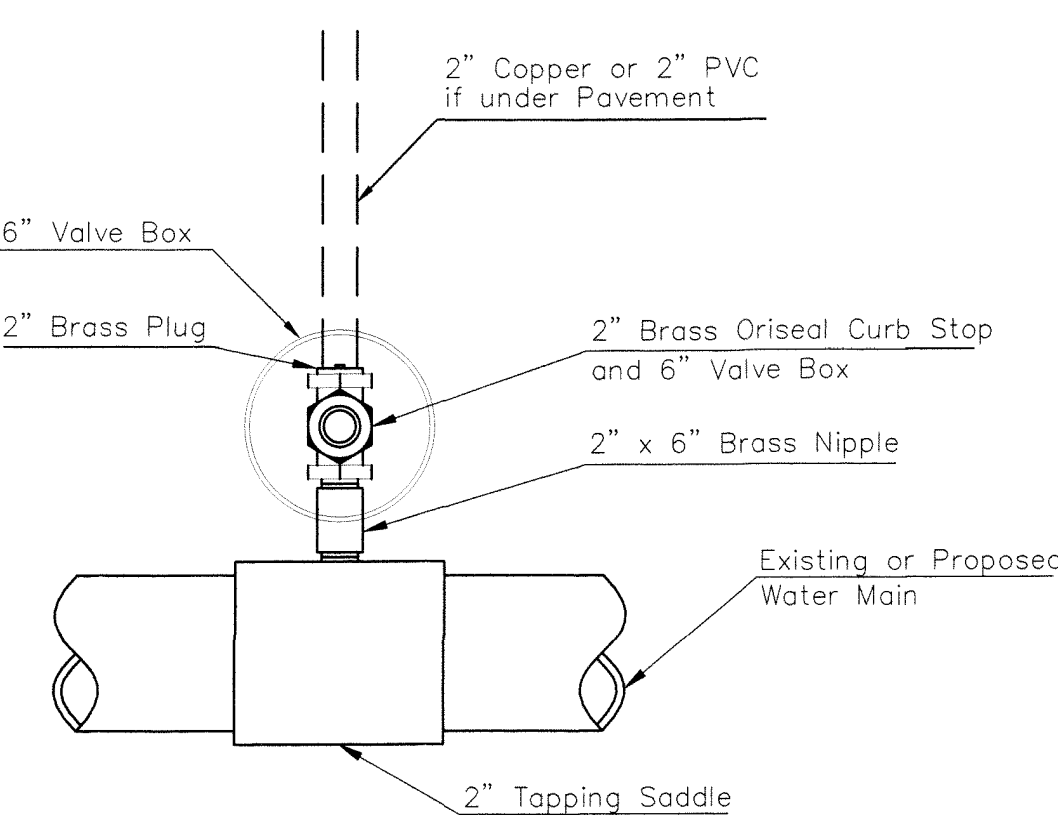


NOT TRAFFIC RATED RING & LID FOR 1" METER BOX

- 1 - Ø Mueller Thread Corporation Stop
- 1 - Ø Type "K" Copper Tubing
- 1 - Ø Copper to Iron Union (Male)
- 1 - Ø Brass Curb Stop (Iron to Iron)
- 2 - Øx4" Brass Nipple
- Air Release
- 2 - Ø Brass Elbows (90°)
- 1 - 1"x6" Brass Nipple
- 1 - 30" Monitor Cover
- 1 - 20" Meter Lid

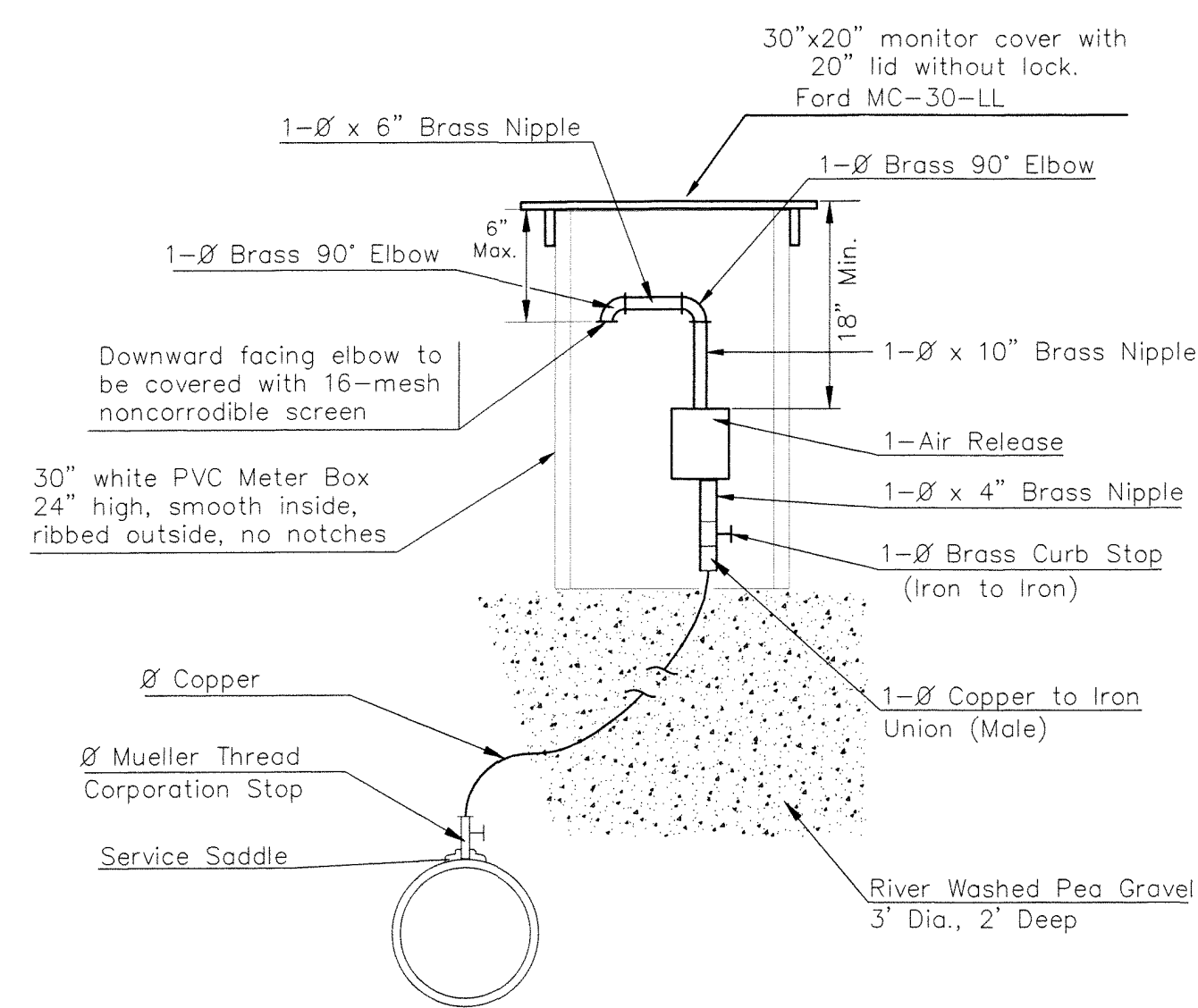
NOTE:

THE 1" / 2" AIR RELEASE ASSEMBLY WILL TYPICALLY BE USED ON WATER MAINS 24" AND SMALLER, AS SPECIFICALLY DESIGNATED IN THE PLANS. COMBINATION AIR RELEASE ASSEMBLIES WILL BE SPECIFICALLY DESIGNED FOR PROJECTS WITH LARGER MAINS, AND WILL BE INCLUDED IN THE PLANS.

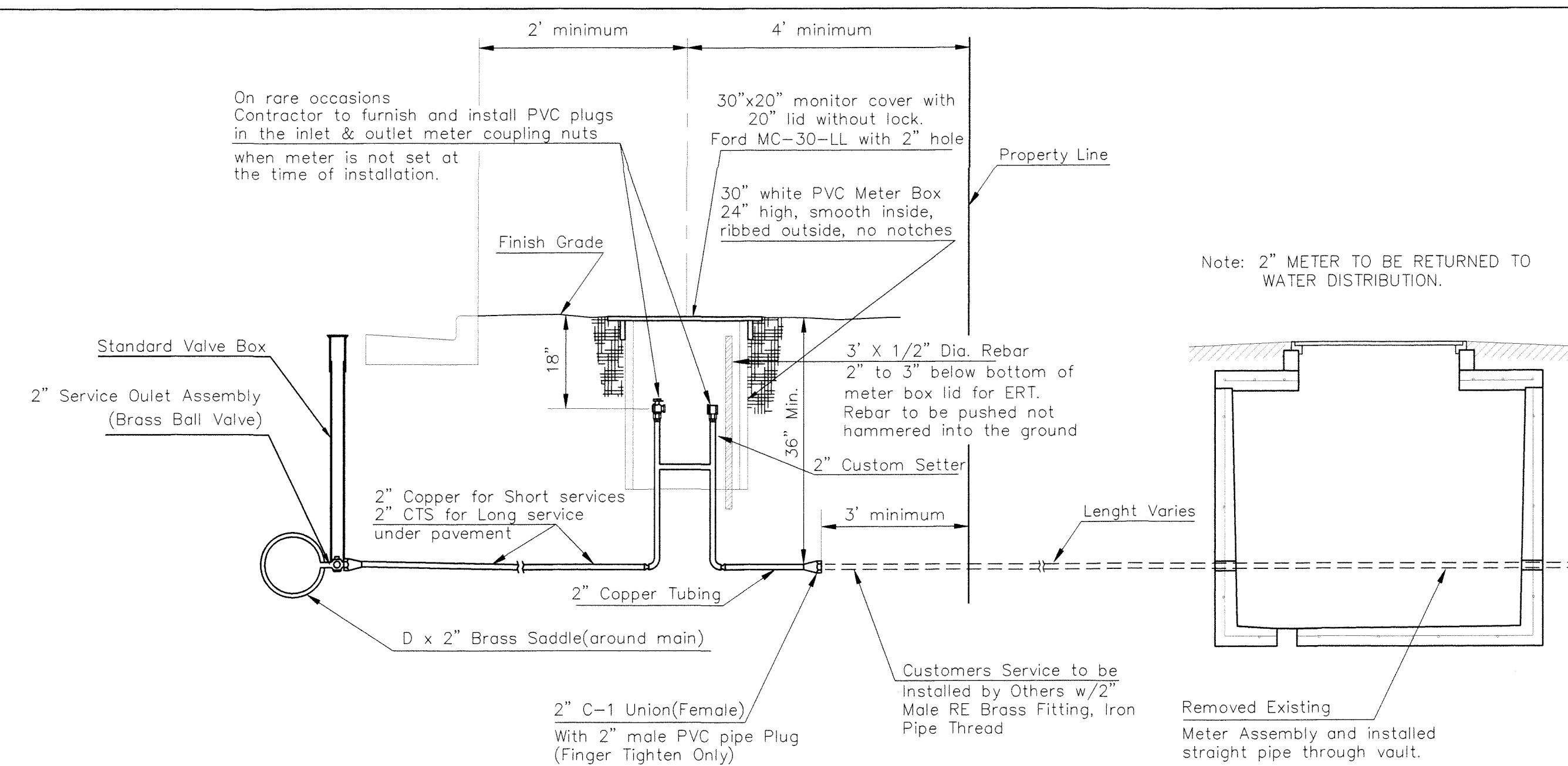


Note: Where the 2" Service Outlet Assembly is to be used to connect a 2" main to another main, the 2" valve shall be a 2" IPT Gate Valve. 2" ball or globe valves shall not be approved for this use.

2" SERVICE OUTLET ASSEMBLY TOP VIEW



MATERIALS FOR 1" or 2" AIR RELEASE ASSEMBLY Ø = 1" or 2"

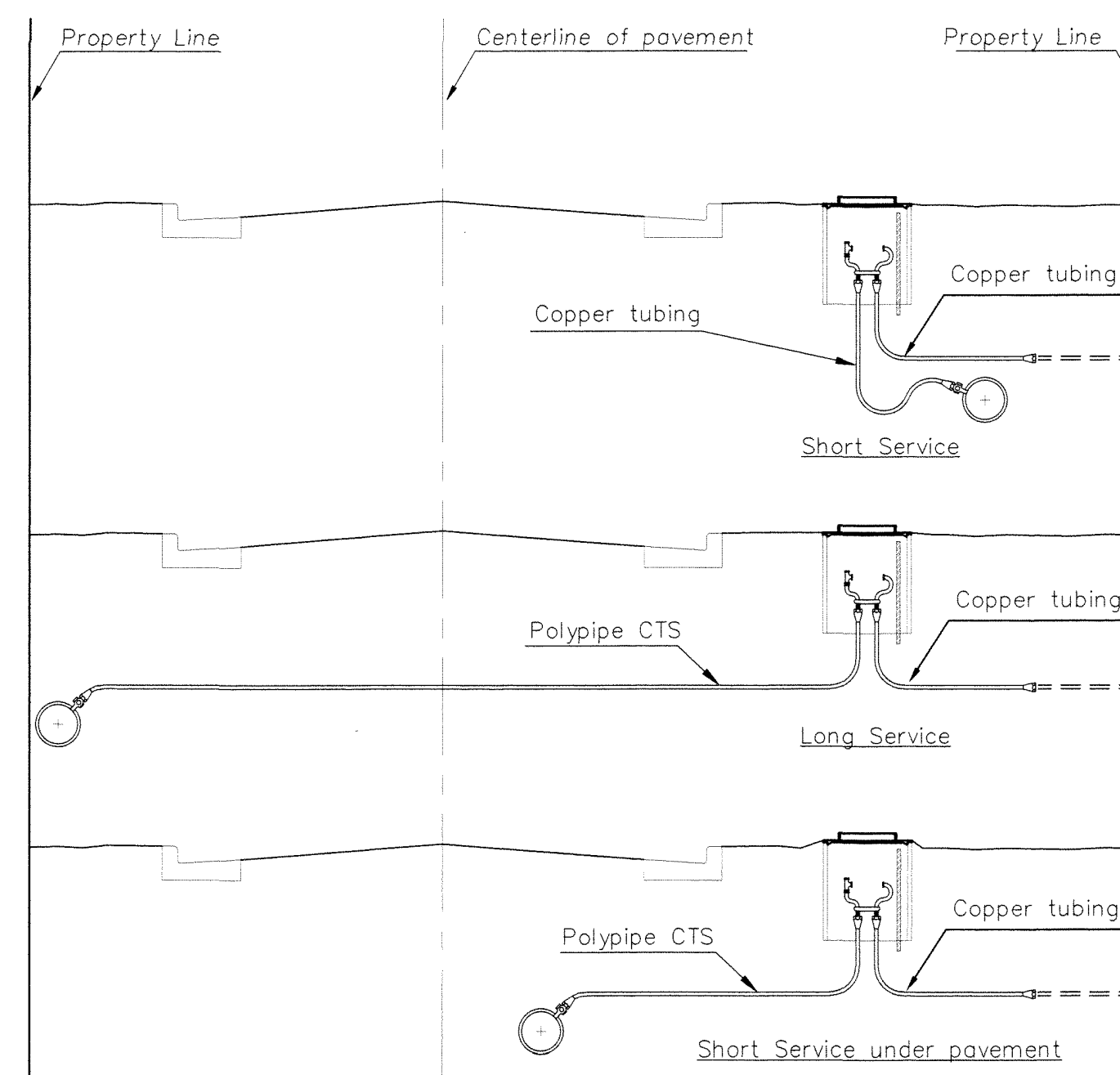


TYPICAL 2" METER SETTING

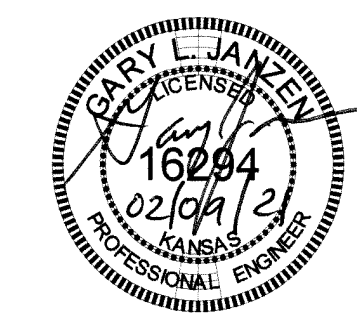
Note: ONE VALVE STEM EXTENSION FOR EACH VALVE BURIED GREATER THAN 5'.

TYPICAL 2" METER SETTING INVOLVING EXISTING 2" METER VAULT

Note: ONE VALVE STEM EXTENSION FOR EACH VALVE BURIED GREATER THAN 5'.



SERVICE TYPES



REVISED: NOVEMBER 2019 TM 3"x1/2" REBAR IN 1" & 2" METER SETTINGS FOR ERT.

**CITY OF WICHITA**  
PUBLIC WORKS & UTILITIES ENGINEERING DIVISION

**STANDARD WATER SERVICE DETAIL**  
CITY ENGINEER  
**GARY JANZEN, P.E.**

PROJECT NUMBER 1701010567	DCA NUMBER 43503417	DATE OCT. 2021
CITY ENGINEER'S OFFICE CITY HALL - SEVENTH FLOOR 455 NORTH MAIN STREET WICHITA, KANSAS 67202-1620 (316) 268-4501		SHEET 02 OF 02

WL-102



©2021 MKEC Engineering All Rights Reserved. These drawings and their contents, including, but not limited to, all concepts, designs, & data are the exclusive property of MKEC Engineering (MKEC), and may not be used or reproduced in any way without the express consent of MKEC.

**STADIUM WATER SERVICE DETAILS**

PROJECT NO.	1701010567	
DATE	NOV. 2021	
SCALE	AS SHOWN	
DESIGNED	DRAWN	CHECKED
DFL	JWC	MAB

NO.	REVISION	DATE
-----	----------	------

SHEET NO.

FC6.1