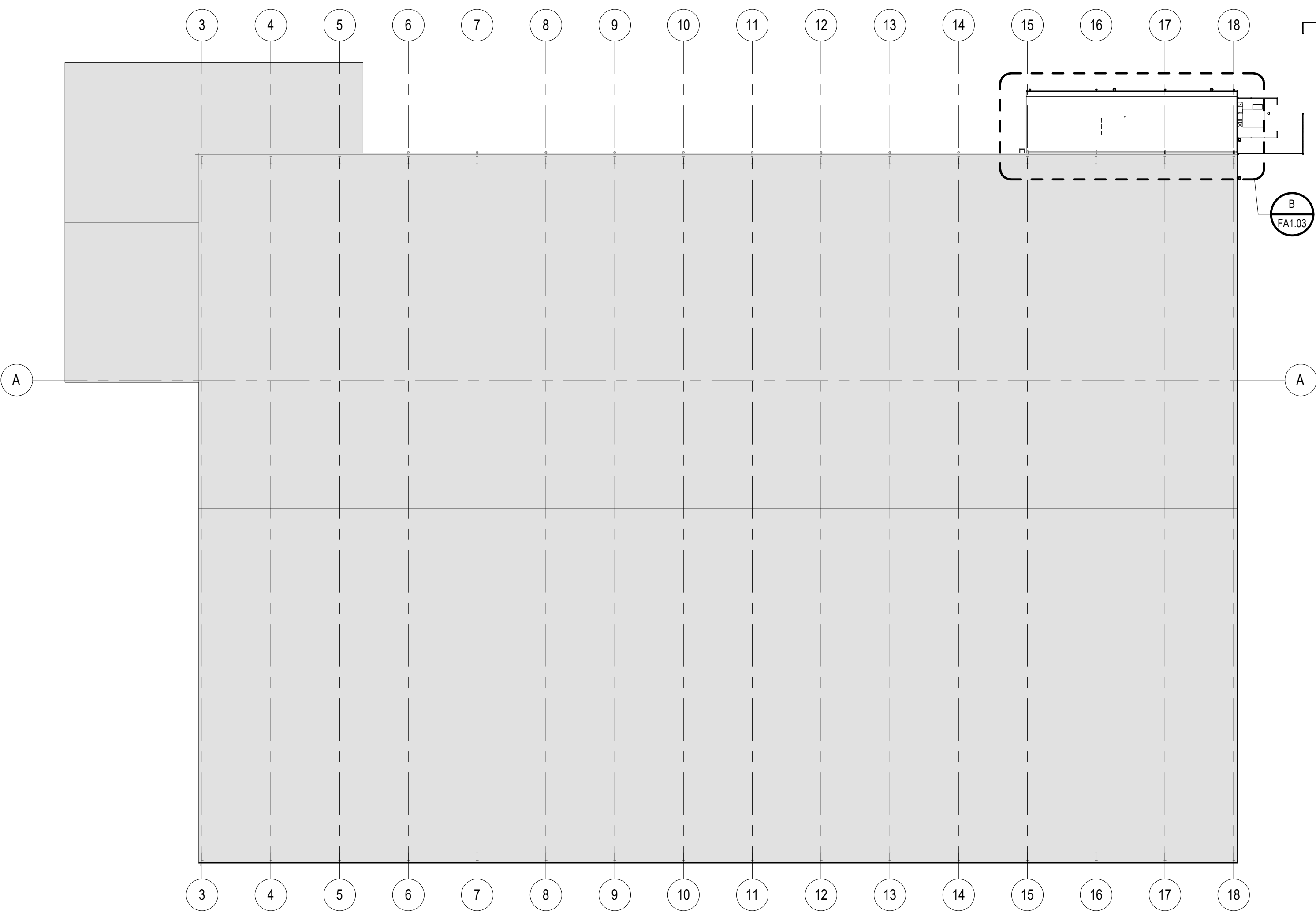
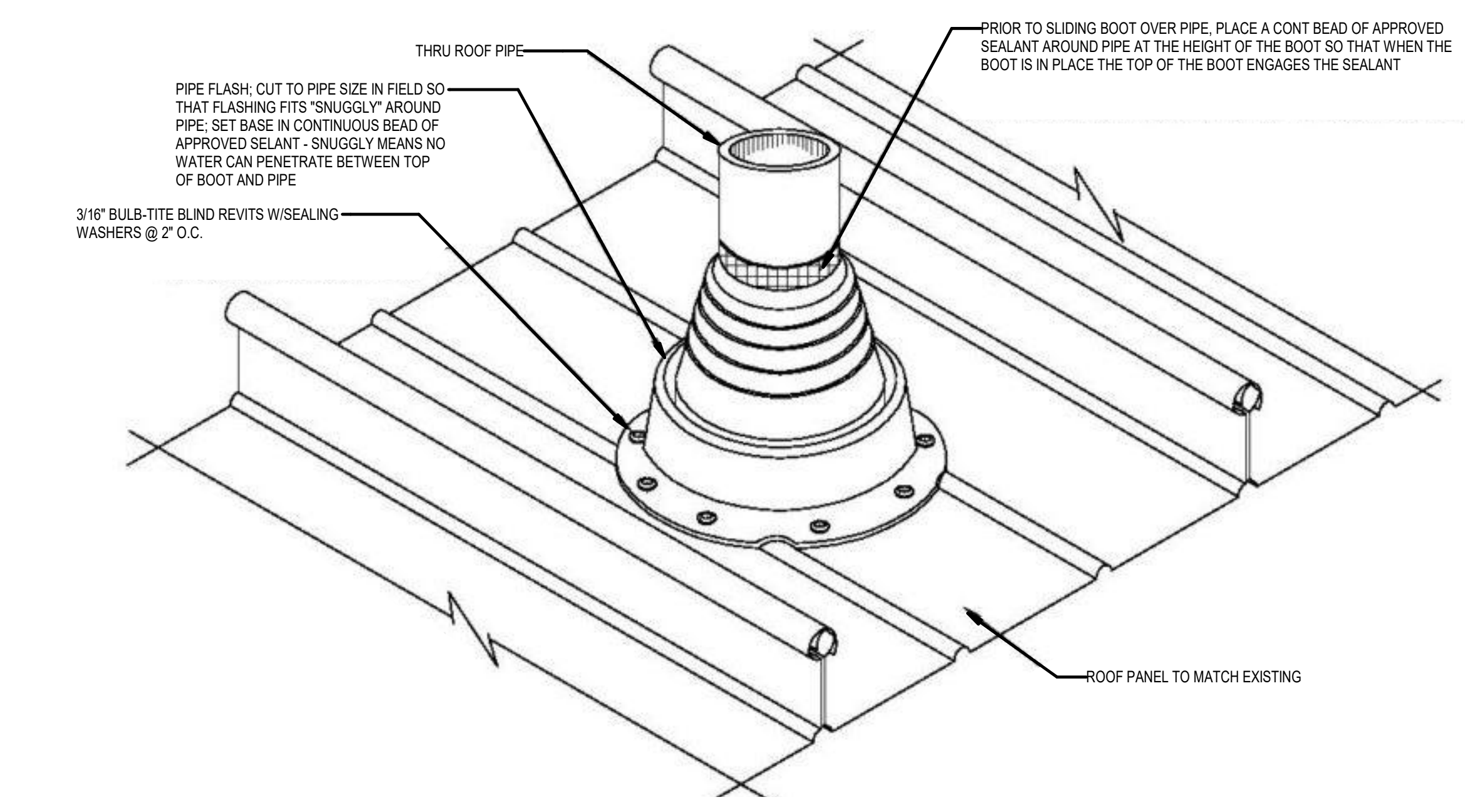


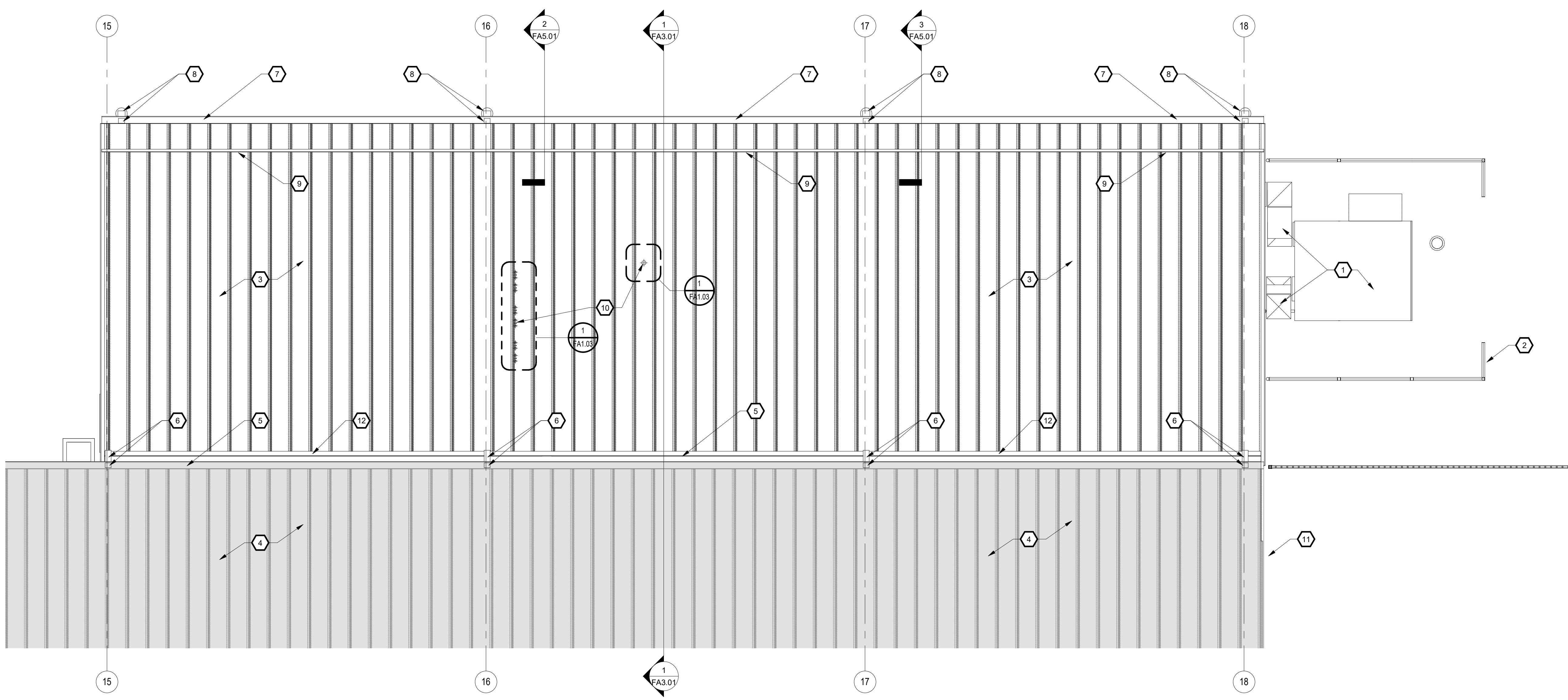
11/24/2021 9:15:15 AM



A INDOOR FACILITY (SOUTH LOCKER) OVERALL ROOF PLAN
 1/32" = 1'-0"
 NORTH



1 TYP PENETRATION @ MTL ROOF
 NOT TO SCALE



B SOUTH LOCKER - ENLARGED ROOF PLAN
 1/4" = 1'-0"
 NORTH

SOUTH LOCKER ROOF KEYNOTES	
KEYNOTE NUMBER	DESCRIPTION
1	NEW GROUND MOUNTED MECHANICAL UNIT & DUCTWORK - REF MECH
2	NEW CHAINLINK FENCE - REF CIVIL
3	NEW METAL ROOF TO MATCH EXISTING BUILDING ROOF PROFILE & COLOR
4	EXISTING METAL ROOF TO REMAIN
5	EXISTING GUTTER TO REMAIN
6	CUT AND MODIFY EXISTING DOWNSPOUT TO DAYLIGHT ON NEW ADDITION ROOF; REF SECTIONS AND ELEVATIONS
7	NEW GUTTER TO MATCH EXISTING BUILDING SIZE AND PROFILE
8	NEW DOWNSPOUT AND BOOT - REF CIVIL & MECH
9	NEW SNOW GUARD COMPATIBLE WITH ROOF PANEL - REF SPECS
10	NEW PLUMBING PENETRATION PER DETAILS; REF PLUMBING
11	NEW GAS LINE; PAINT TO MATCH METAL PANEL COLOR - REF PLUMBING
12	NEW EXPANSION JOINT FLASHING PER SECTIONS AND DETAILS



©2021 MKEC Engineering All Rights Reserved. www.mkec.com These drawings and their contents, including, but not limited to, all concepts, designs, & data are the exclusive property of MKEC Engineering (MKEC), and may not be used or reproduced in any way without the express consent of MKEC.

SOUTH LOCKER - ROOF PLAN

PROJECT NO.	01088R21003	
DATE	11/23/2021	
SCALE	AS NOTED	
DESIGNED	DRAWN	CHECKED
MH	SS	MH

0	ISSUED FOR CONSTRUCTION	11-24-21
NO.	REVISION	DATE

SHEET NO.
FA1.03



BULL:2021/10/08/01088R21003_StrykerRemoval/01088R21003_A_Stryker Addition_V01.rvt