



©2021 MKEC Engineering
All Rights Reserved
www.mkec.com
These drawings and their contents, including, but not limited to, all concepts, designs, & data are the exclusive property of MKEC Engineering (MKEC), and may not be used or reproduced in any way without the express consent of MKEC.

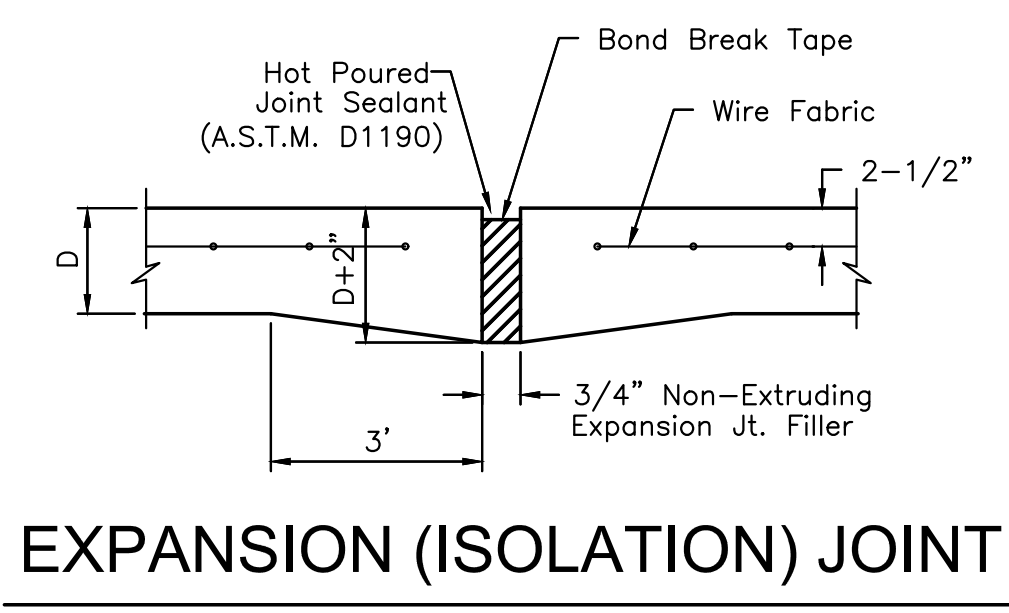
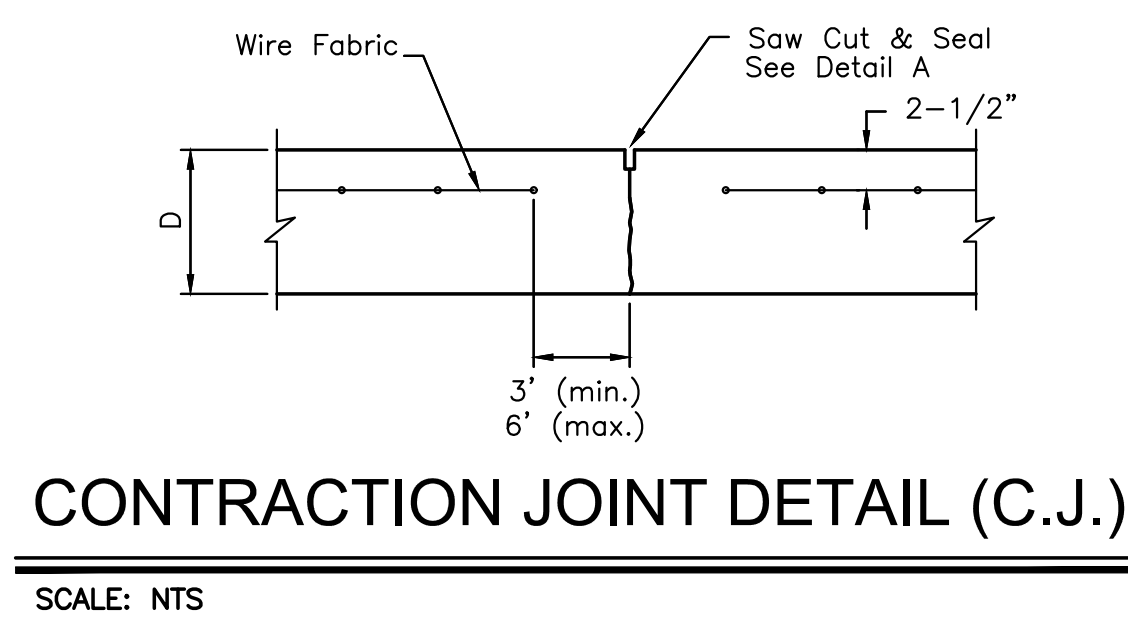
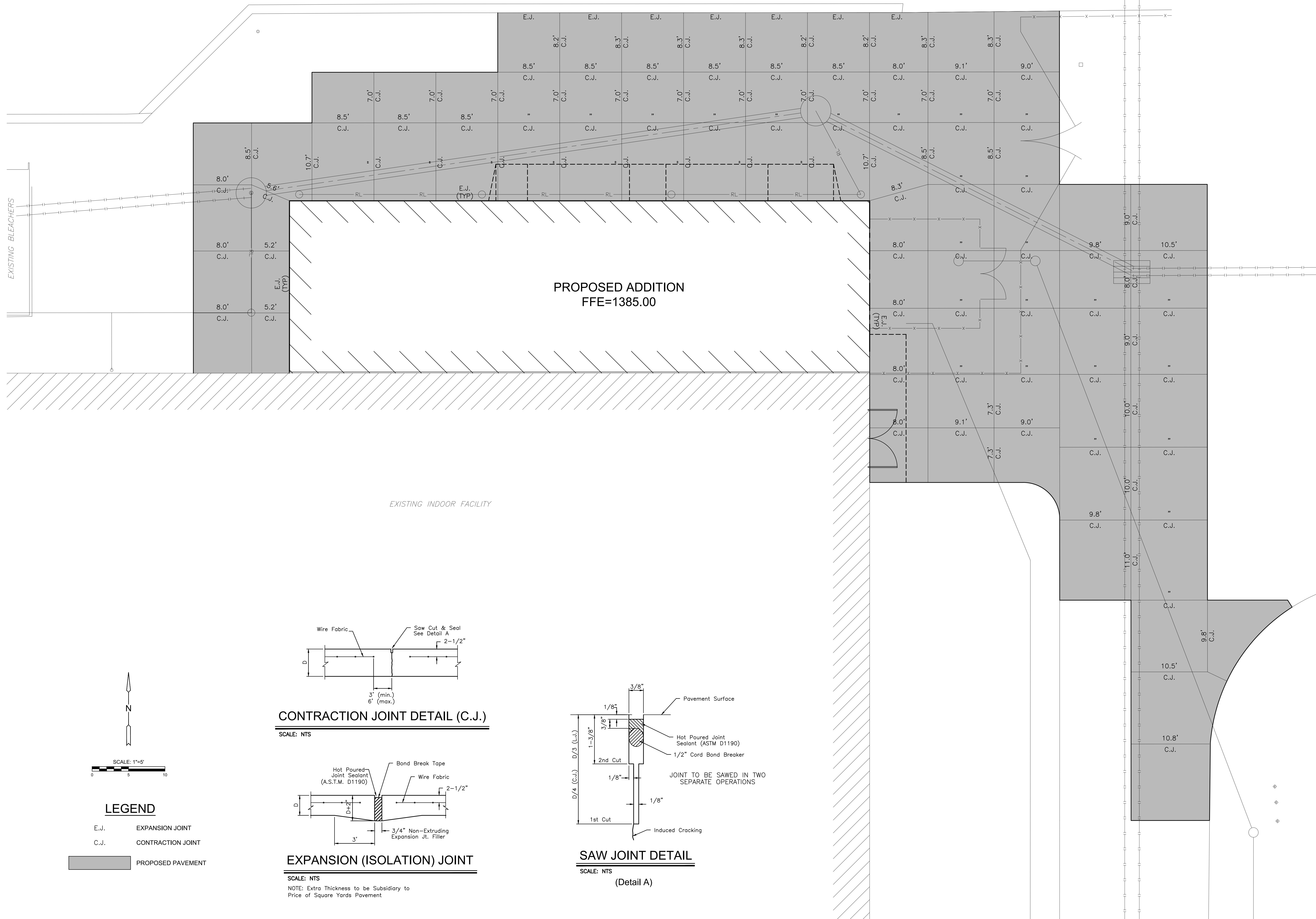
STADIUM JOINTING PLAN

PROJECT NO.	1701010567	
DATE	NOV. 2021	
SCALE	1" = 5'	
DESIGNED	DRAWN	CHECKED
DFL	JWC	MAB

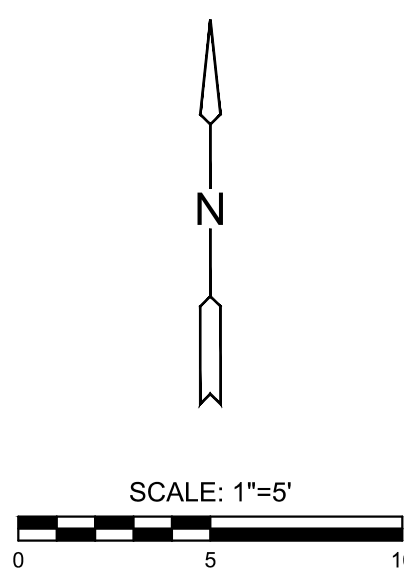
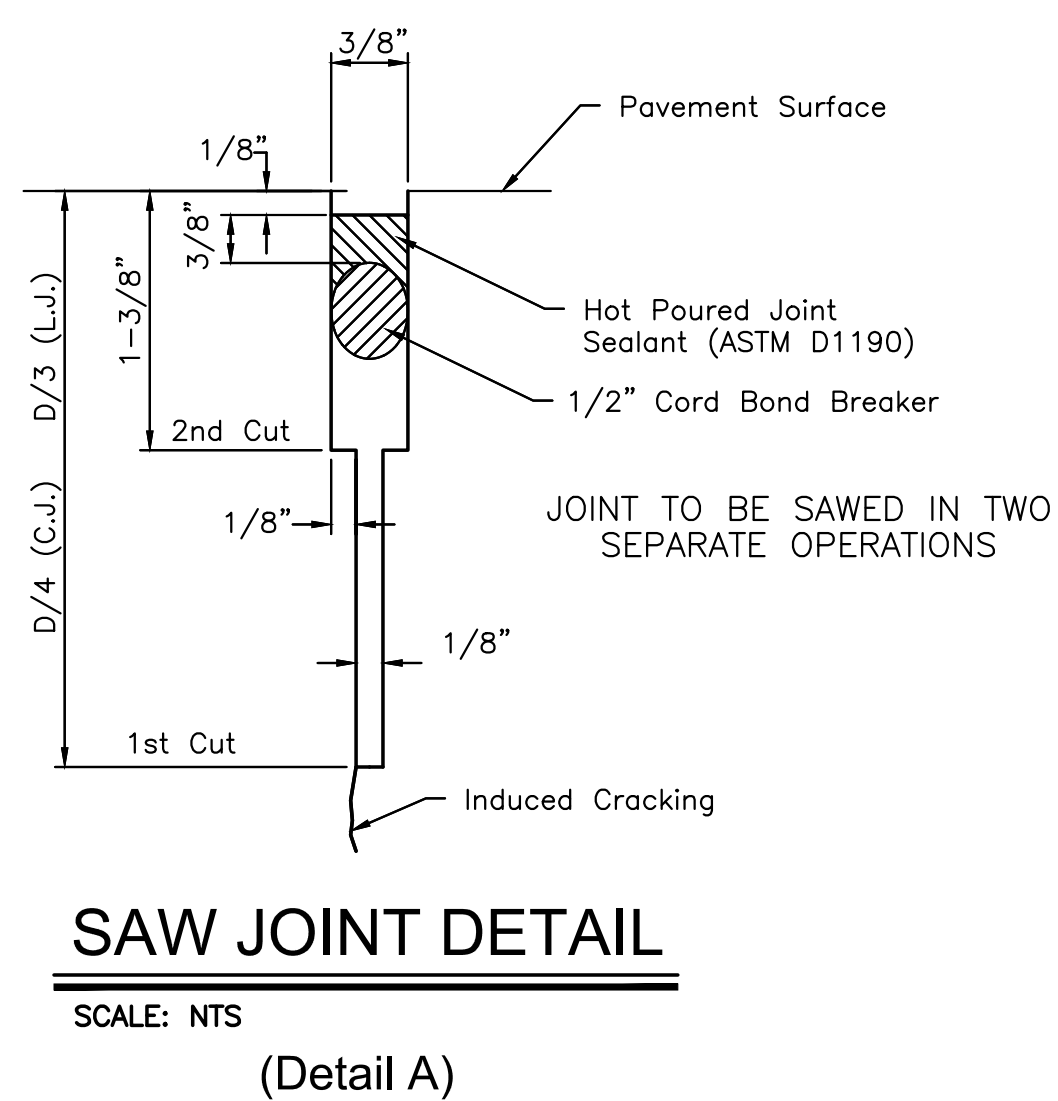
NO.	REVISION	DATE

SHEET NO.
FC3.1

TURF SOCCER FIELD



NOTE: Extra Thickness to be Subsidiary to Price of Square Yards Pavement



LEGEND

- E.J. EXPANSION JOINT
- C.J. CONTRACTION JOINT
- PROPOSED PAVEMENT

J:\PROJECTS\2021\1701010567_COV_STRYKER_170621\CADD\TSS\FC3.1\170621_05-500-FPD.DWG