

Handwritten Signature
11/23/21

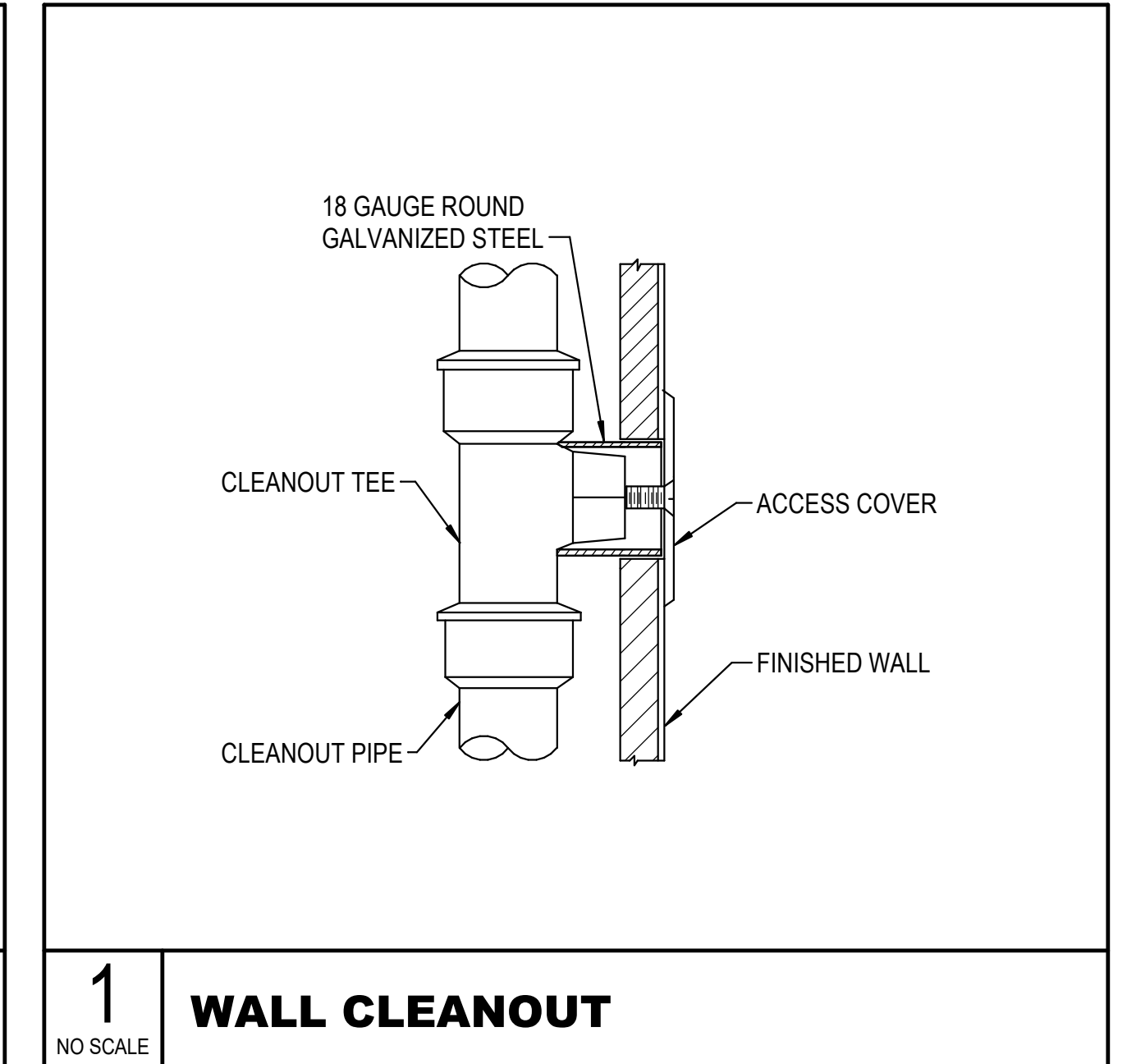
©2021
MKEC Engineering
All Rights Reserved
www.mkec.com
These drawings and their contents, including, but not limited to, all concepts, designs, & ideas are the exclusive property of MKEC Engineering (MKEC), and may not be used or reproduced in any way without the express consent of MKEC.

PLUMBING DETAILS

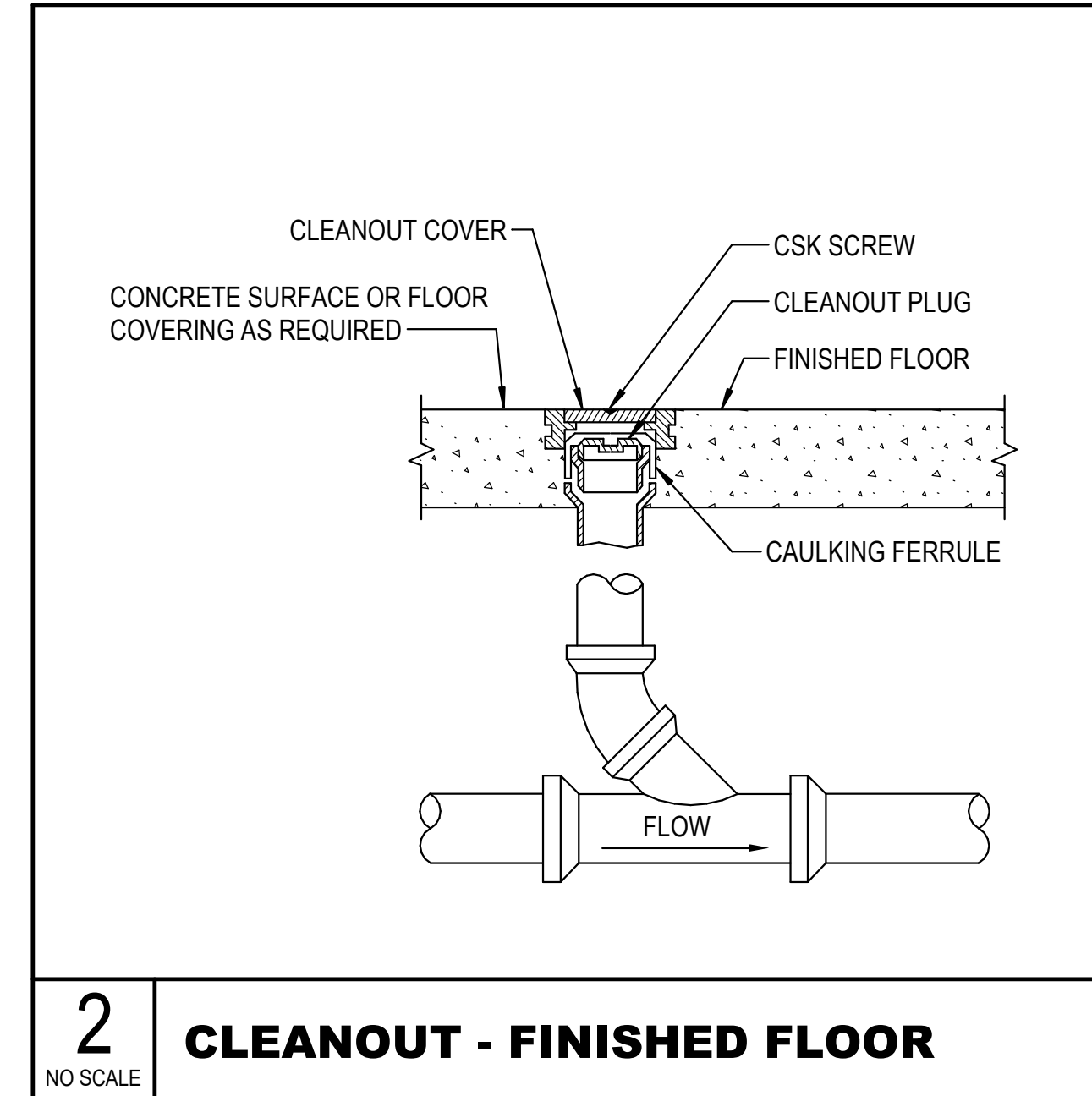
PROJECT NO.	1701010567	
DATE	11-24-2021	
SCALE	AS NOTED	
DESIGNED	DRAWN	CHECKED
CWB	CWB	RLB

0	ISSUED FOR CONSTRUCTION	11-24-21
NO.	REVISION	DATE

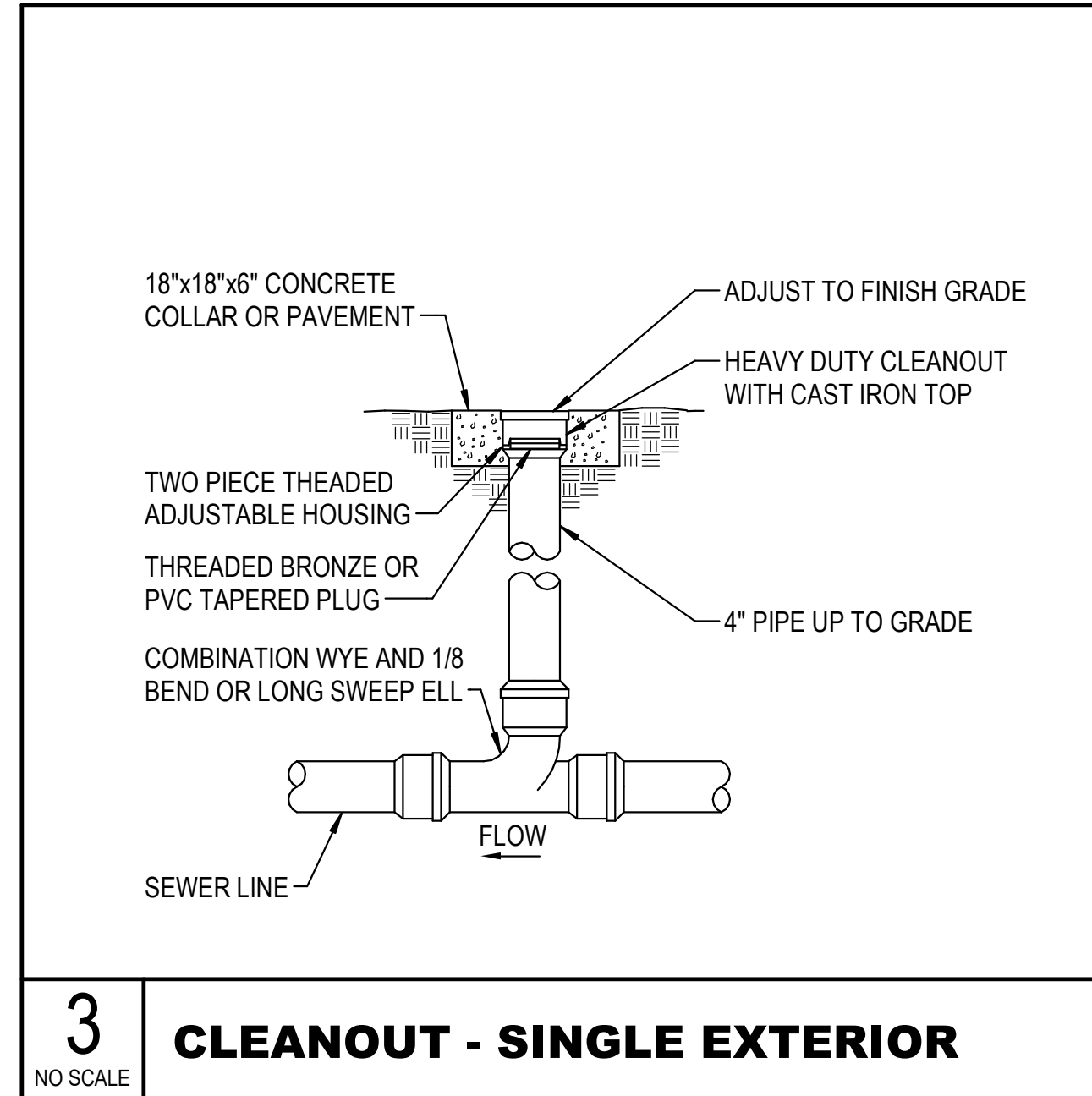
SHEET NO.
SP3.1



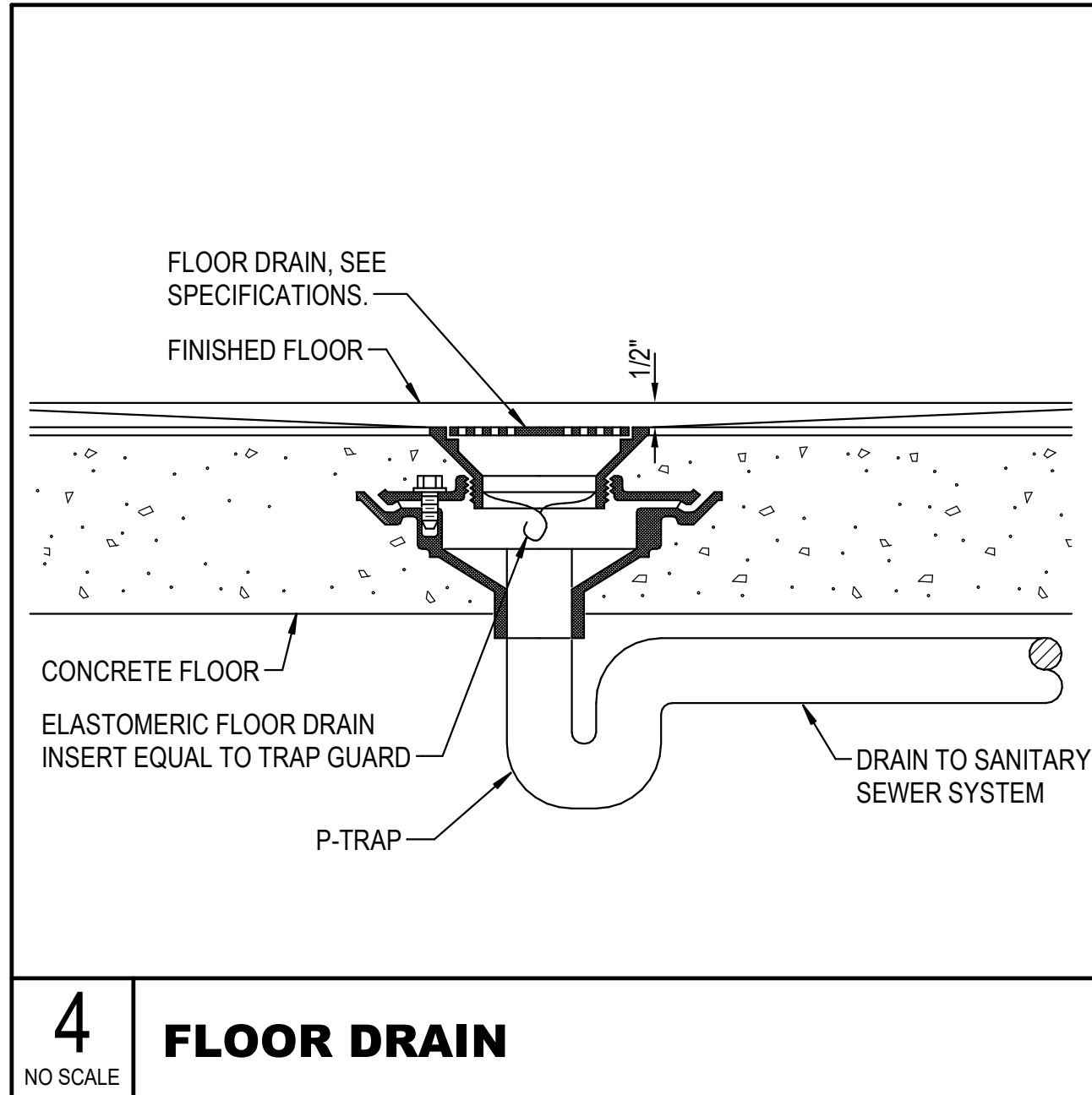
1
NO SCALE **WALL CLEANOUT**



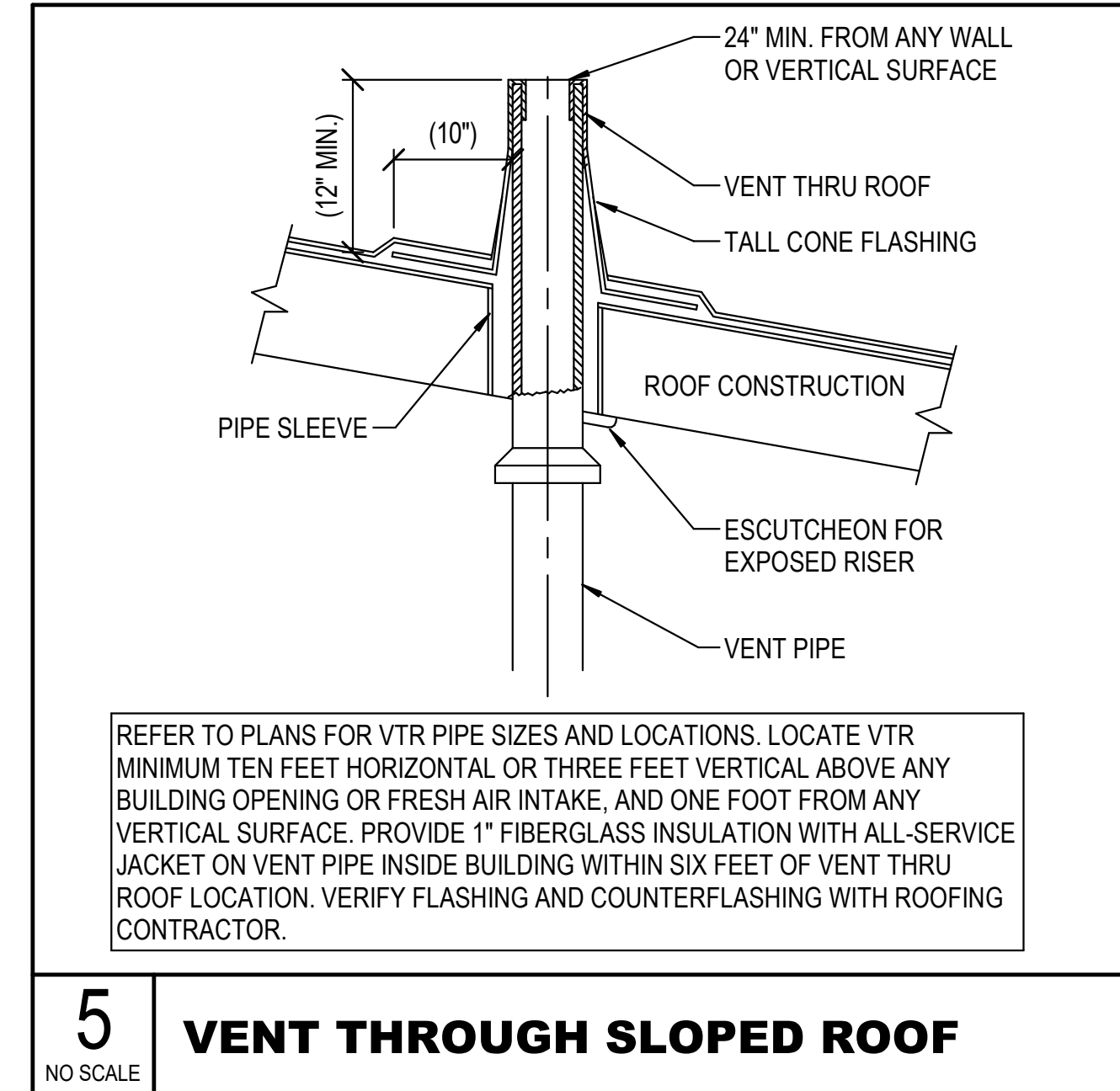
2
NO SCALE **CLEANOUT - FINISHED FLOOR**



3
NO SCALE **CLEANOUT - SINGLE EXTERIOR**

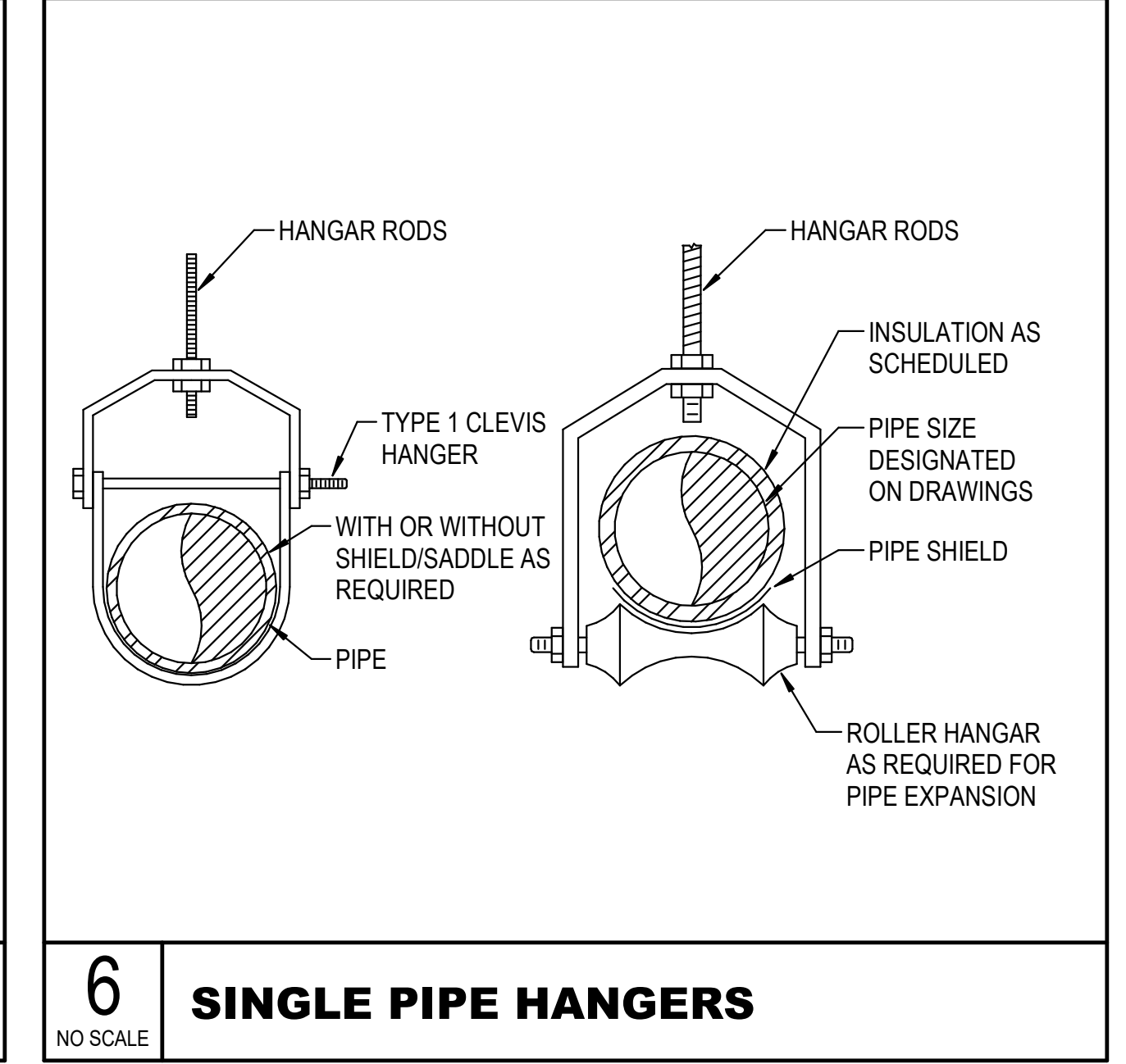


4
NO SCALE **FLOOR DRAIN**

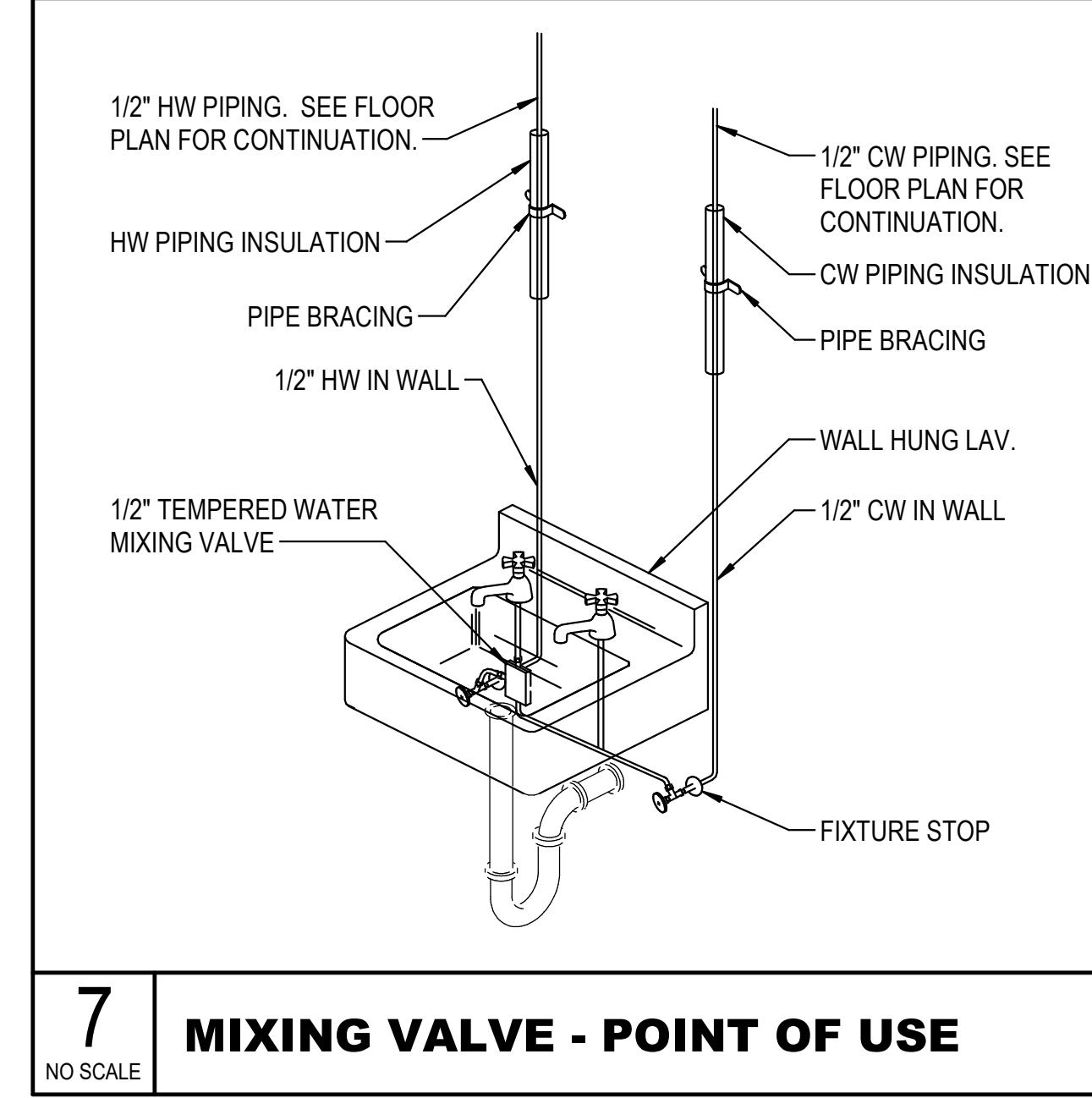


5
NO SCALE **VENT THROUGH SLOPED ROOF**

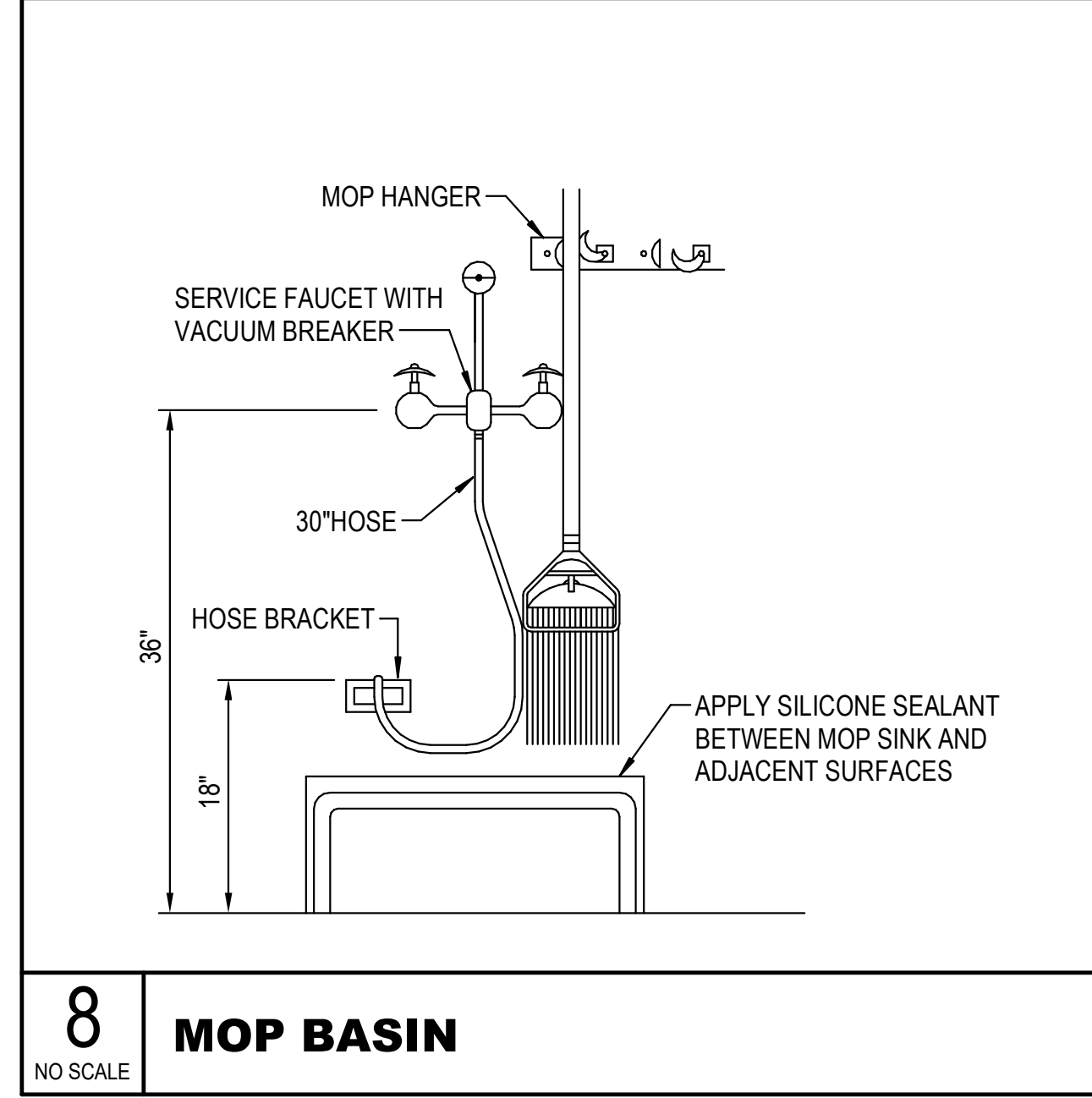
REFER TO PLANS FOR VTR PIPE SIZES AND LOCATIONS. LOCATE VTR MINIMUM TEN FEET HORIZONTAL OR THREE FEET VERTICAL ABOVE ANY BUILDING OPENING OR FRESH AIR INTAKE, AND ONE FOOT FROM ANY VERTICAL SURFACE. PROVIDE 1" FIBERGLASS INSULATION WITH ALL SERVICE JACKET ON VENT PIPE INSIDE BUILDING WITHIN SIX FEET OF VENT THRU ROOF LOCATION. VERIFY FLASHING AND COUNTERFLASHING WITH ROOFING CONTRACTOR.



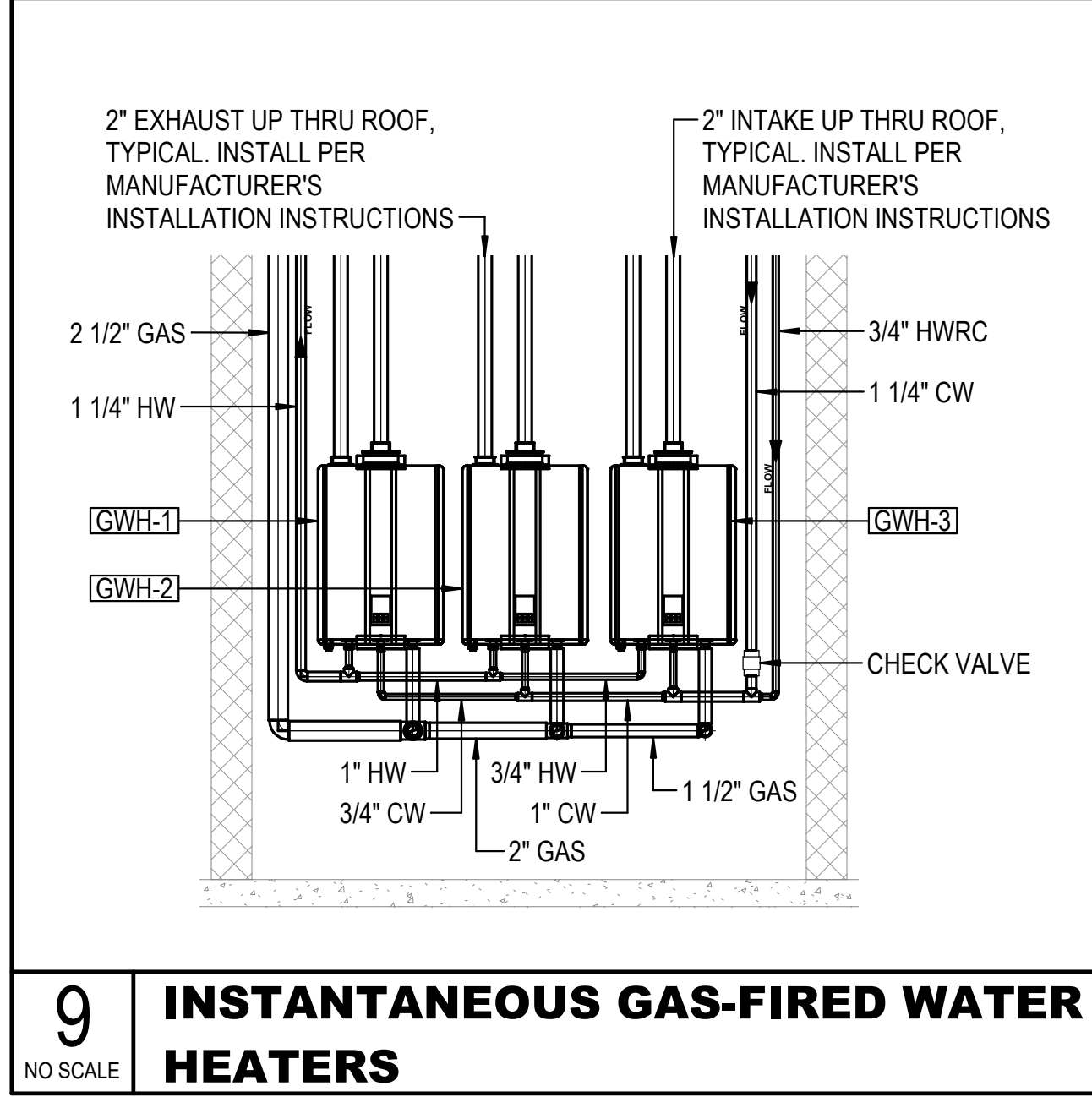
6
NO SCALE **SINGLE PIPE HANGERS**



7
NO SCALE **MIXING VALVE - POINT OF USE**



8
NO SCALE **MOP BASIN**



9
NO SCALE **INSTANTANEOUS GAS-FIRED WATER HEATERS**