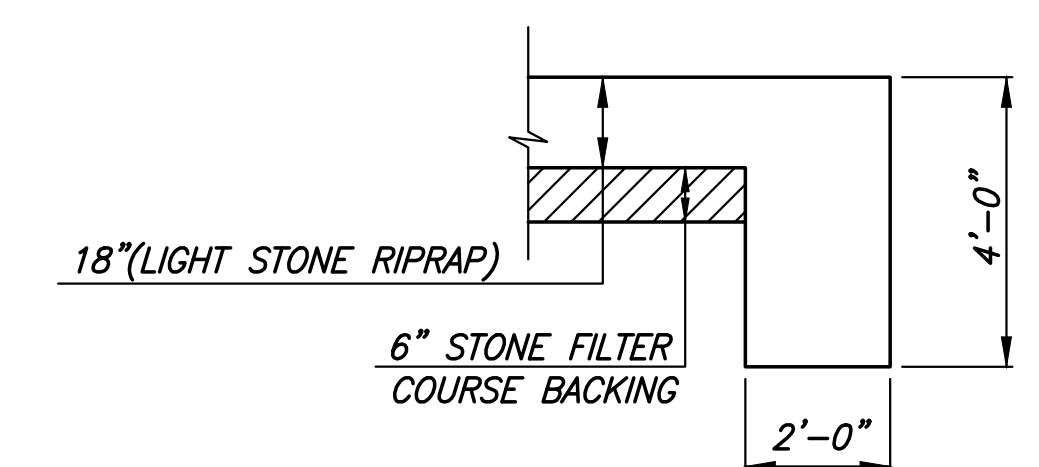


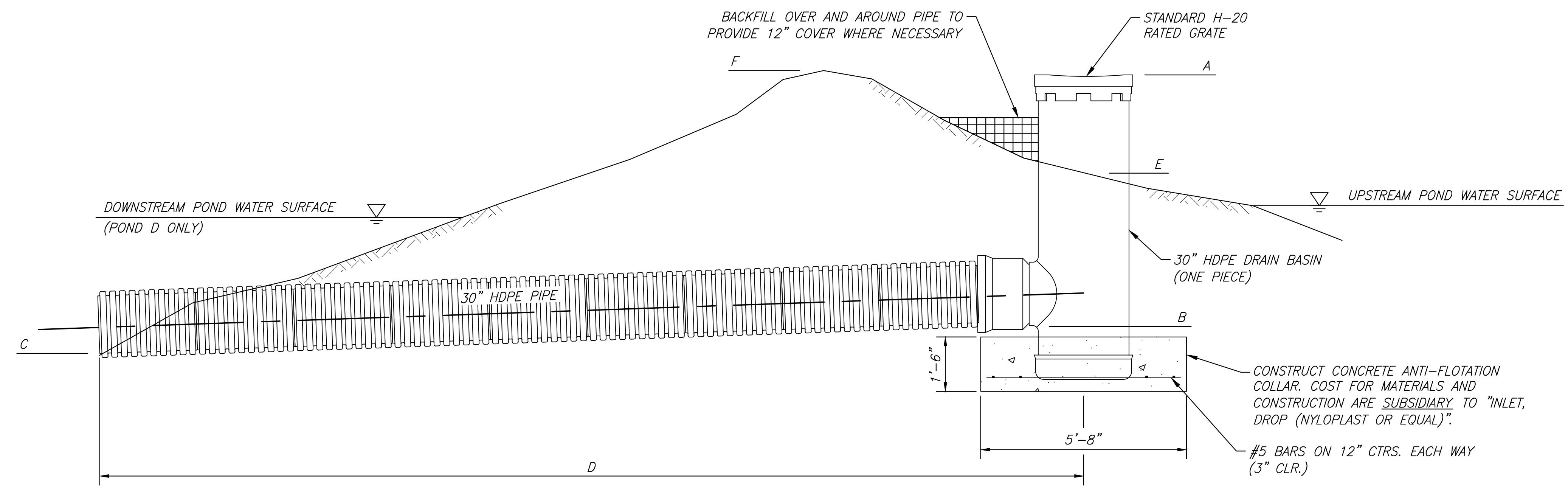
PROJECT NO.		
DATE	01/20/2022	
SCALE	NONE	
DESIGNED	DRAWN	
JRA	RAM	
CHECKED	JRA	
NO.	REVISION	DATE



**TYPICAL SECTION THRU TOEWALL  
(NO SCALE)**

- NOTES**
- ALL RIPRAP FOR THIS PROJECT SHALL BE NATURAL STONE. NEITHER BROKEN CONCRETE, FABRIC ENVELOPE, NOR PREMIXED DRY PACKAGED CONCRETE BAG ALTERNATES WILL BE ALLOWED, UNLESS INDICATED OTHERWISE.
  - TOEWALLS SHALL BE INSTALLED ALONG ALL UNPROTECTED EDGES OF STONE RIPRAP.
  - GROUTING OF THE SURFACE OF THE RIPRAP IS REQUIRED. GROUTING OF THE TOEWALLS SHALL BE PERFORMED PER CITY SPECIFICATIONS.
  - SEE PLAN SHEETS FOR RIPRAP DIMENSIONS AND LOCATION.
  - EXISTING RIPRAP PRESENT ON SITE MAY BE REUSED IF SIZE AND SHAPE OF STONES COMPLY WITH THE SPECIFICATION AND NOTE 1 ABOVE. GROUTING WILL STILL BE REQUIRED.

**LIGHT STONE RIPRAP DETAILS**



**TYPICAL BASIN AND OUTFALL PIPE ELEVATION**

BASIN AND OUTFALL PIPE INFORMATION						
INSTALLATION LOCATION	A (ELEV.)	B (ELEV.)	C (ELEV.)	D (FT.)	E (ELEV.)	F (ELEV.)
C	1350.39	1346.33	1346.00	66'	1349.75	1352.38
E TO D	1355.59	1351.50	1352.25	46'	1353.97	1357.22
I	1365.23	1361.38	1361.15	46'	1364.50	1367.30

(ELEVATIONS ABOVE ARE PROPOSED ELEVATIONS)

- NOTES**
- THE BACKFILL MATERIAL SHALL BE CRUSHED STONE OR OTHER GRANULAR MATERIAL MEETING THE REQUIREMENTS OF CLASS I, CLASS II, OR CLASS III MATERIAL AS DEFINED IN ASTM D2321. BEDDING & BACKFILL FOR SURFACE DRAINAGE INLETS SHALL BE PLACED & COMPACTED UNIFORMLY IN ACCORDANCE WITH ASTM D2321.
  - PORTIONS OF THE STRUCTURE ARE ABOVE GRADE OR WILL HAVE PROLONGED EXPOSURE TO UV RAYS. THE EXPOSED SURFACES SHOULD BE COATED IN A LATEX BASED PAINT OR SIMILAR COATING (PROVIDED BY OTHERS) THAT WILL NOT DEGRADE THE PVC MATERIAL.
  - GRATES/SOLID COVER SHALL BE DUCTILE IRON PER ASTM A536 GRADE 70-50-05.
  - FRAMES SHALL BE DUCTILE IRON PER ASTM A536 GRADE 70-50-05.
  - DRAINAGE BASIN TO BE CUSTOM MANUFACTURED ACCORDING TO PLAN DETAILS. BASIN SHALL CONFORM TO DRAWING 7001-110-193 AS MANUFACTURED BY NYLOPLAST (OR APPROVED EQUAL). INSTALL PER MANUFACTURERS RECOMMENDATIONS.

RIPRAP COORDINATES		
POINTS	NORTHING	EASTING
1	1691068.36	1662836.09
2	1691043.24	1662852.50
3	1691089.72	1662923.66
4	1691114.84	1662907.26
5	1691763.58	1663088.13
6	1691741.11	1663108.01
7	1691774.26	1663145.45
8	1691803.35	1663133.05
9	1692071.33	1663422.00
10	1692076.88	1663425.43
11	1692053.88	1663465.17
12	1692046.00	1663460.30
13	1692007.93	1663436.78
14	1692016.43	1663410.25
15	1692024.68	1663393.18
16	1692921.71	1663602.13
17	1692895.57	1663602.13
18	1692895.57	1663621.07
19	1692949.08	1663655.07
20	1692972.60	1663634.47
21	1692039.29	1663456.16
22	1692063.83	1663417.37