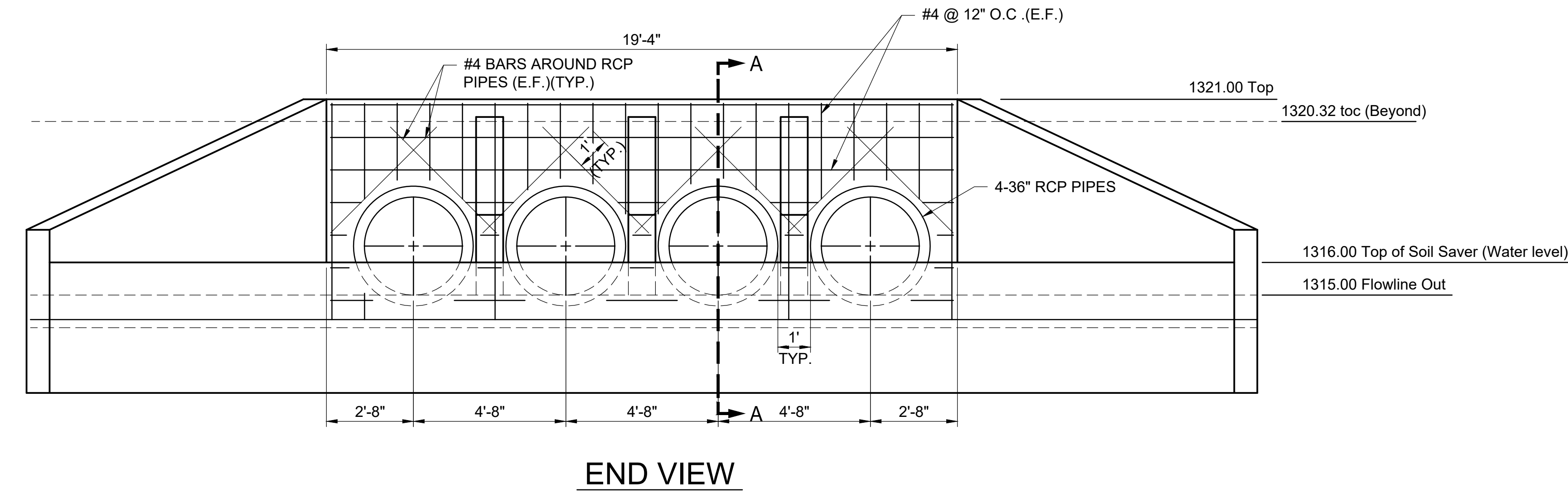
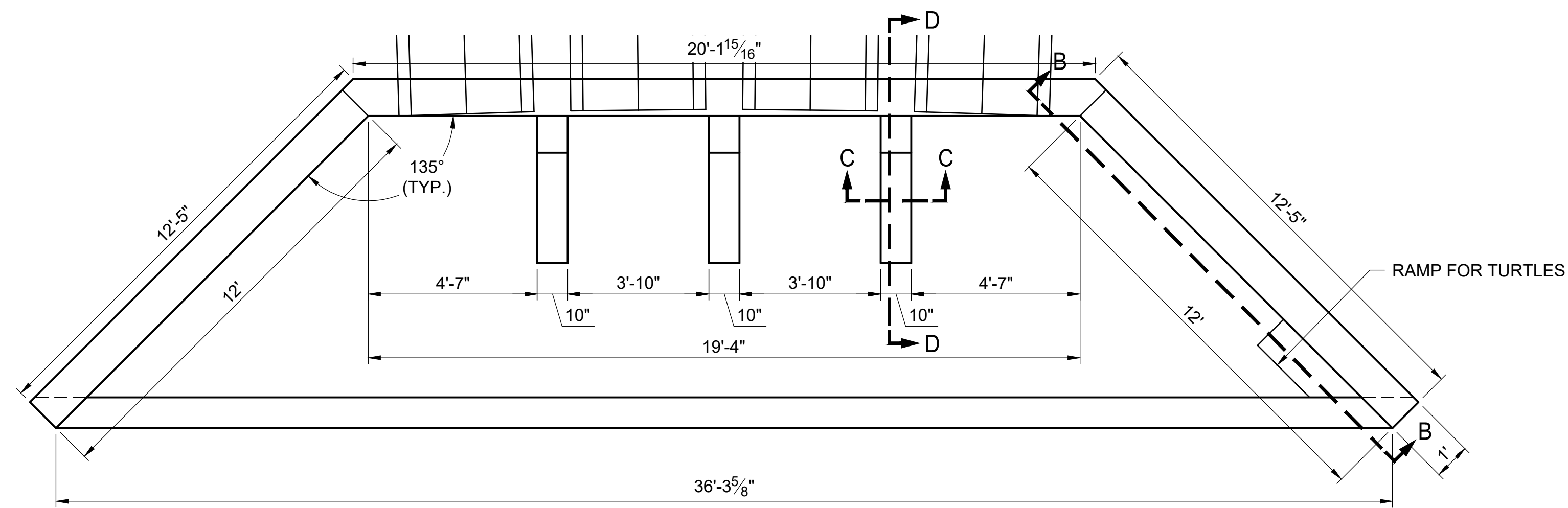
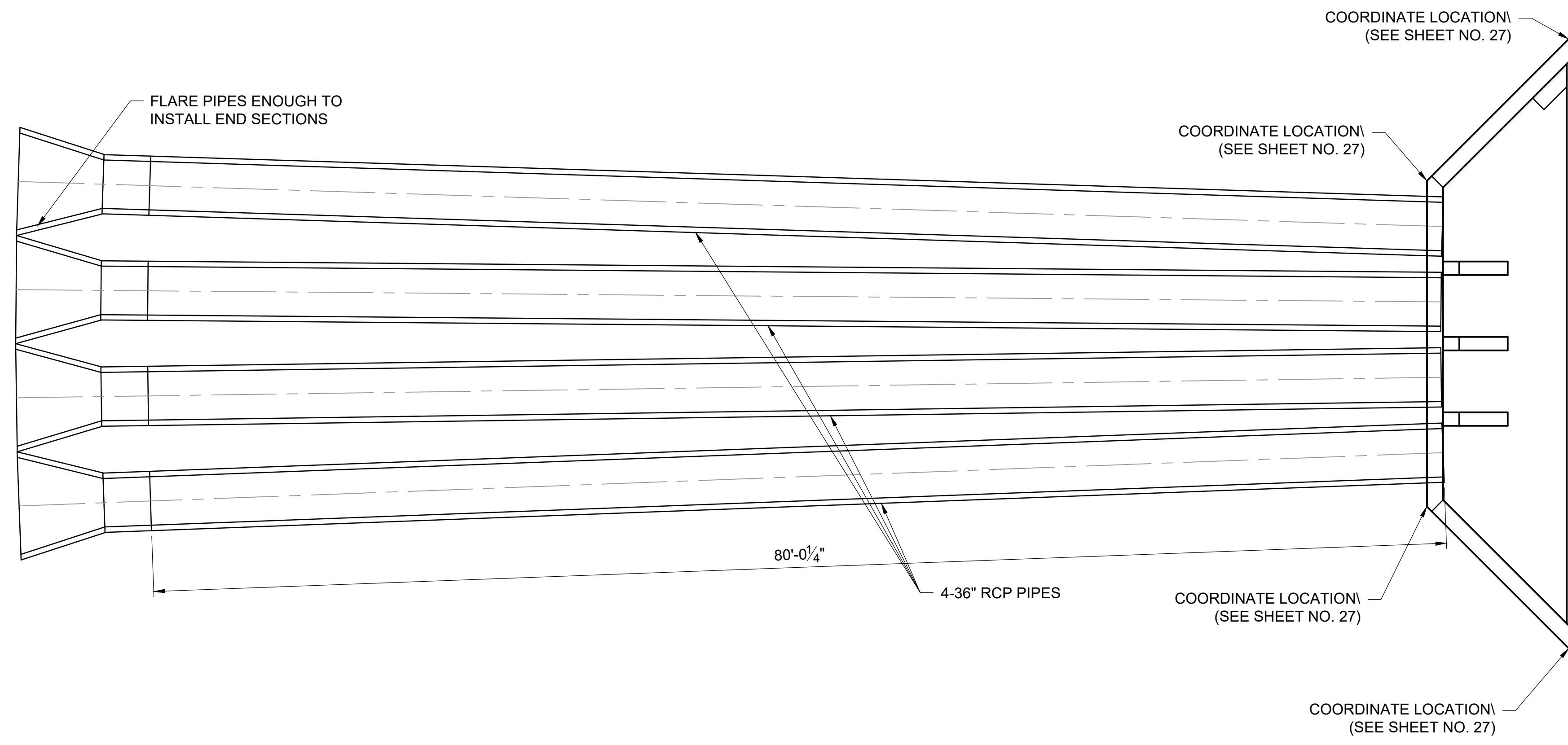
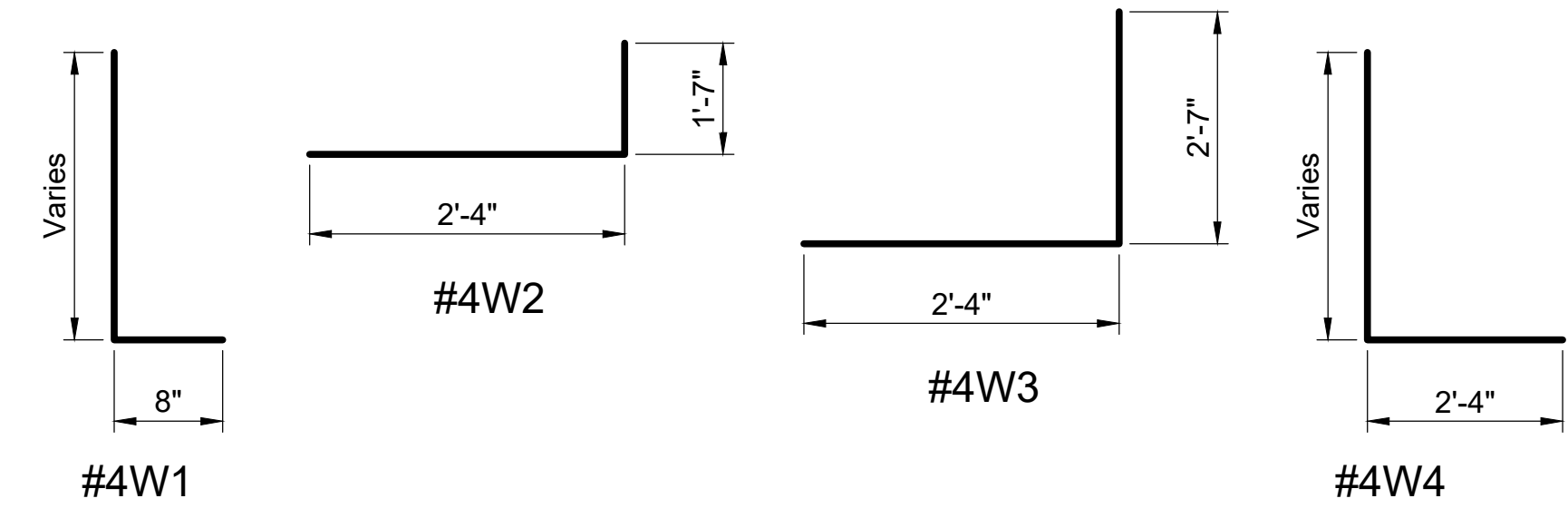


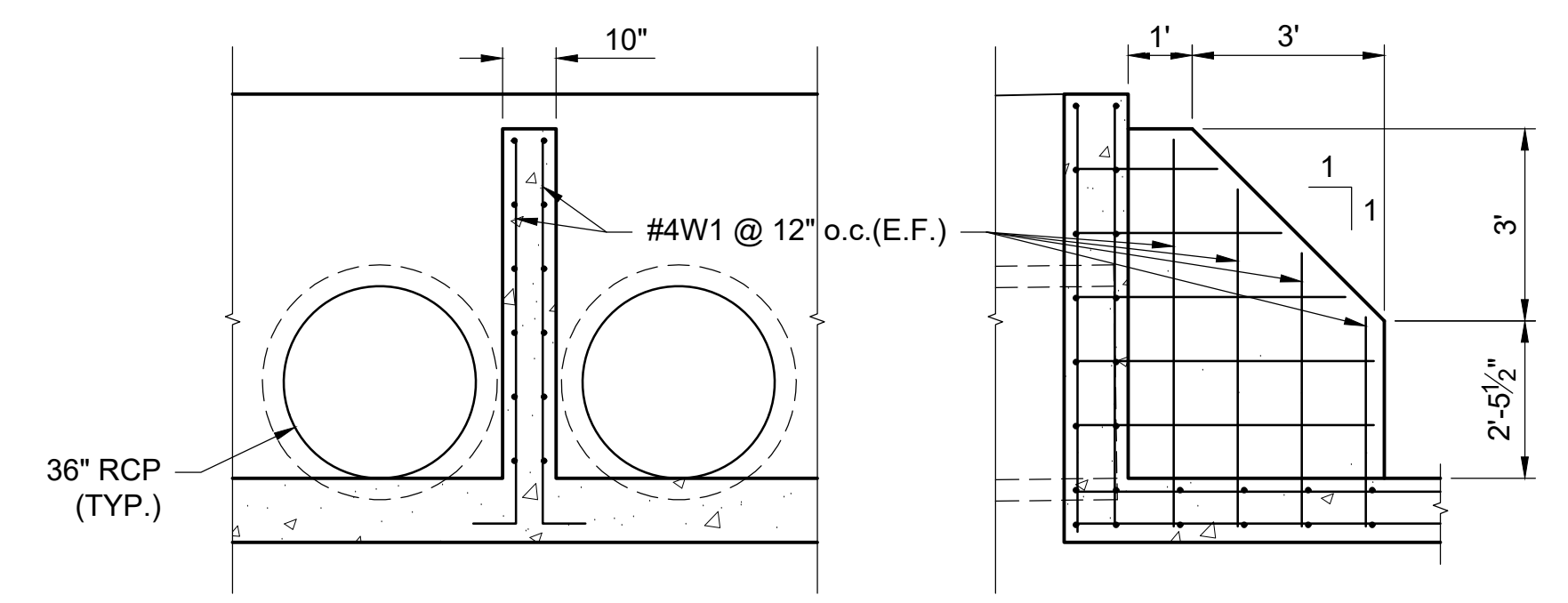
File: L:\2021\12\14\1002 - Clear Ridge Phase 2\Drawings\CROSS ROAD PIPES DETAILS.dwg, Last Save: 2/7/2022 11:14 AM, Last saved by: DRS\Standrich  
 Last plotted by: Standrich, Darryl R., Plot Style: ---, Plot Scale: 1:2.5849, Plot Date: 2/7/2022 11:32 AM, Plotter Used: None



**END VIEW**

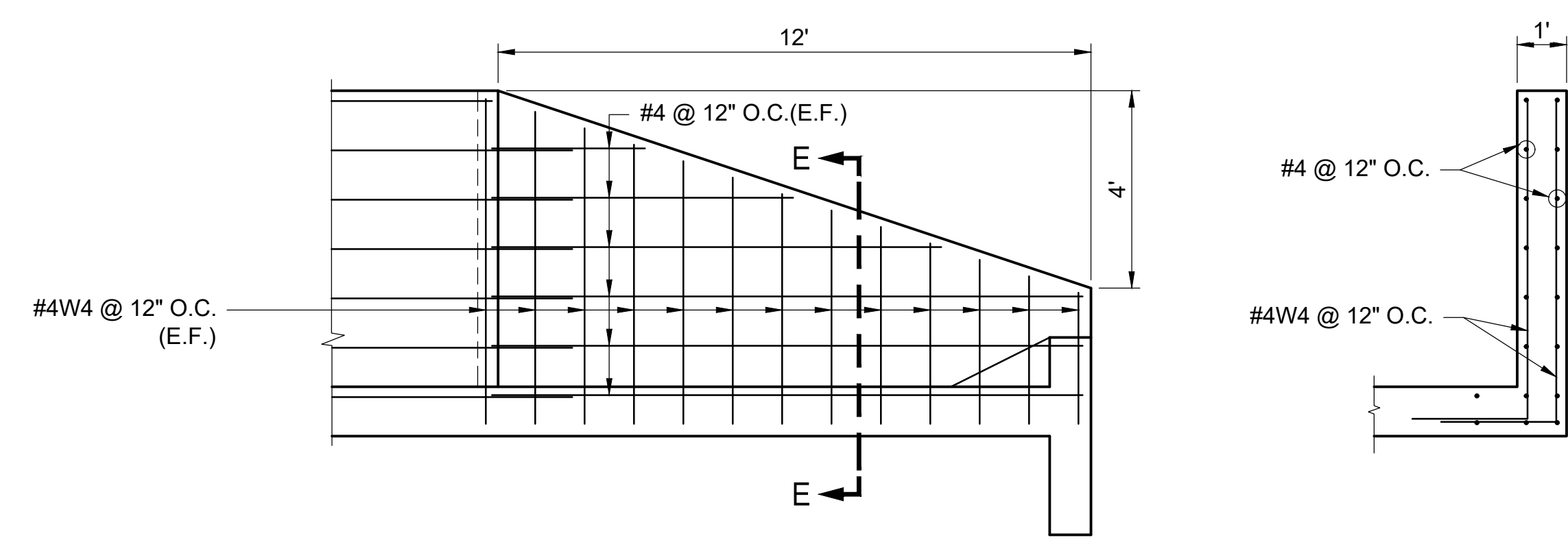


**UNIT STRESSES:**  
 Material Properties  
 Concrete (Grade 4.0)  $f_c = 4 \text{ ksi}$   
 Reinforcing Steel (Grade 60)  $F_y = 60 \text{ ksi}$



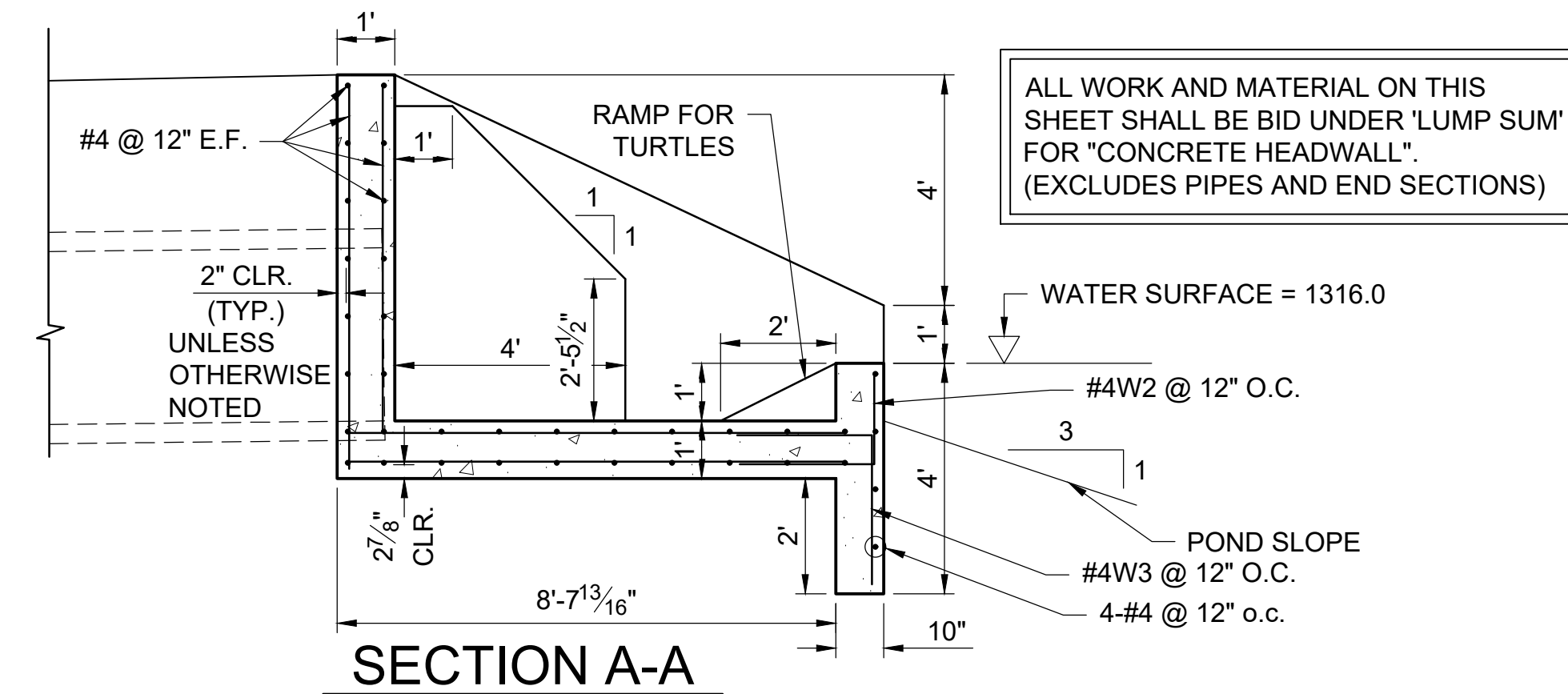
**SECTION C-C**

**SECTION D-D**



**SECTION B-B**

**SECTION E-E**



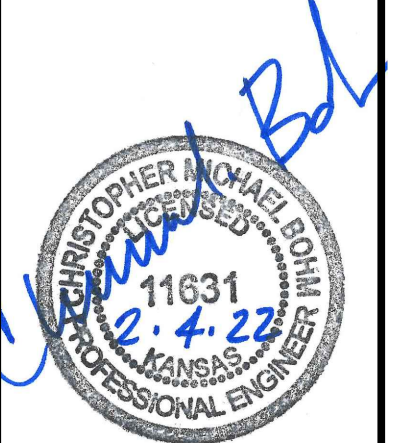
**SECTION A-A**

ALL WORK AND MATERIAL ON THIS SHEET SHALL BE BID UNDER 'LUMP SUM' FOR "CONCRETE HEADWALL". (EXCLUDES PIPES AND END SECTIONS)



© 2021 GARVER, LLC  
 THIS DOCUMENT, ALONG WITH THE IDEAS AND DESIGNS CONVEYED HEREIN, SHALL BE CONSIDERED INSTRUMENTS OF PROFESSIONAL SERVICE AND ARE PROPERTY OF GARVER, LLC. ANY USE, REPRODUCTION, OR DISTRIBUTION OF THIS DOCUMENT, ALONG WITH THE IDEAS AND DESIGN CONTAINED HEREIN, IS PROHIBITED UNLESS AUTHORIZED IN WRITING BY GARVER, LLC OR EXPLICITLY ALLOWED IN THE GOVERNING PROFESSIONAL SERVICES AGREEMENT FOR THIS WORK.

1995 Midfield Road  
 Wichita, KS 67209  
 (316) 264-8008



REV.	DATE	DESCRIPTION	BY

CITY OF WICHITA  
 WICHITA, KANSAS  
 CLEAR RIDGE ADDITION  
 PHASE 2 - STORM WATER

**HEADWALL DETAILS**

JOB NO.: 21T41002  
 DATE: FEB. 2022  
 DESIGNED BY: CMB  
 DRAWN BY: DRS

BAR IS ONE INCH ON ORIGINAL DRAWING  
 IF NOT ONE INCH ON THIS SHEET, ADJUST SCALES ACCORDINGLY.

DRAWING NUMBER