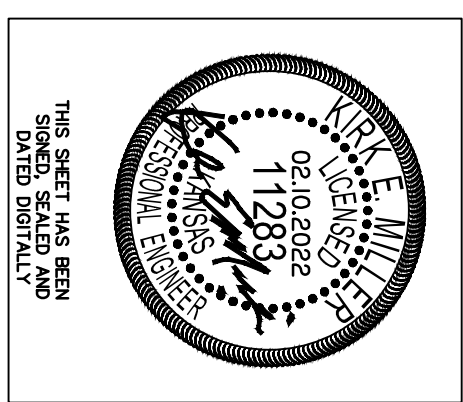
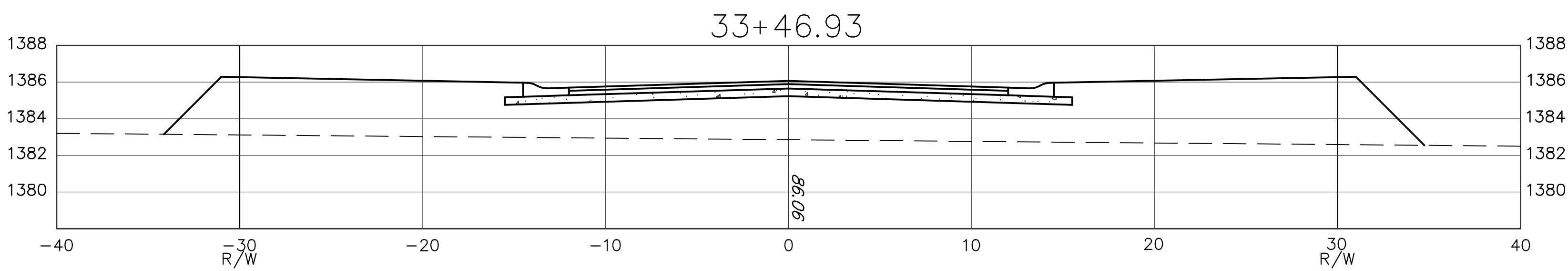
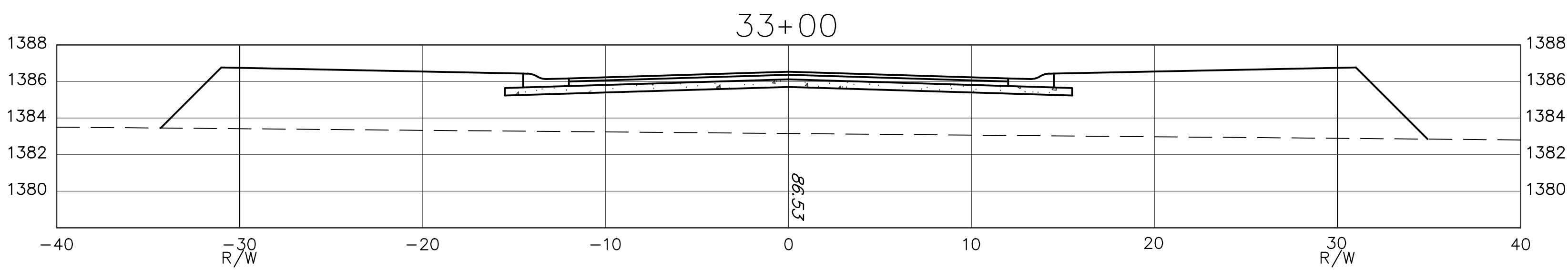
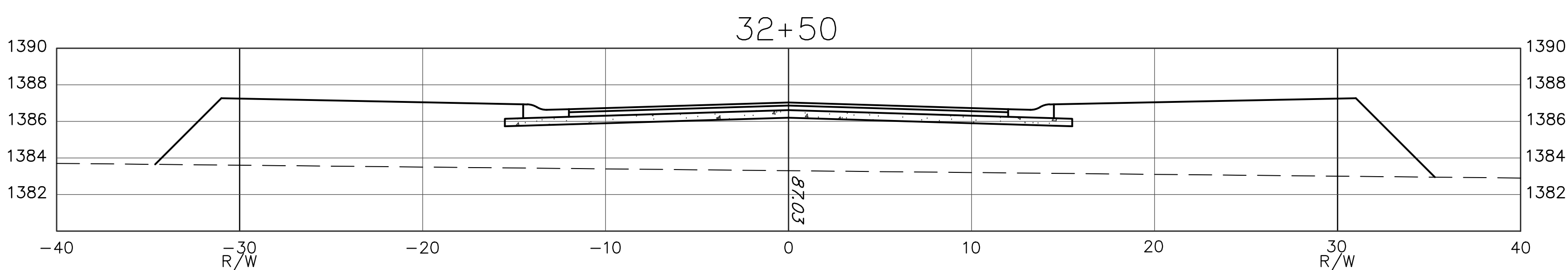
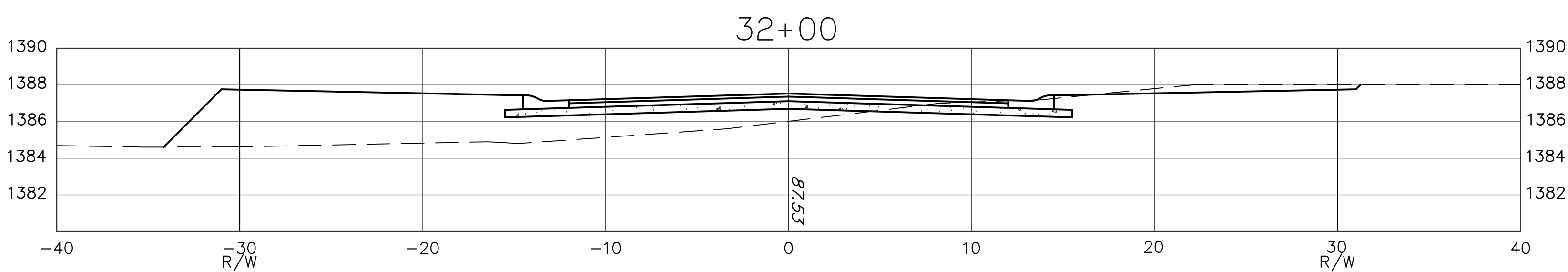
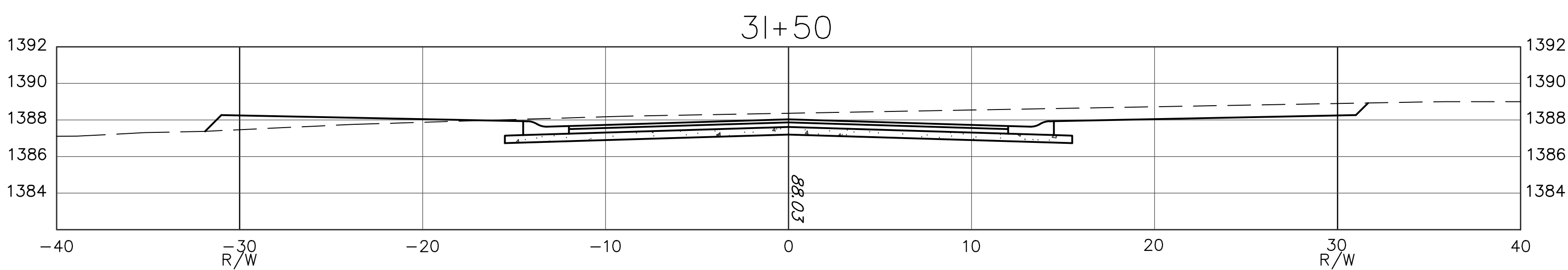
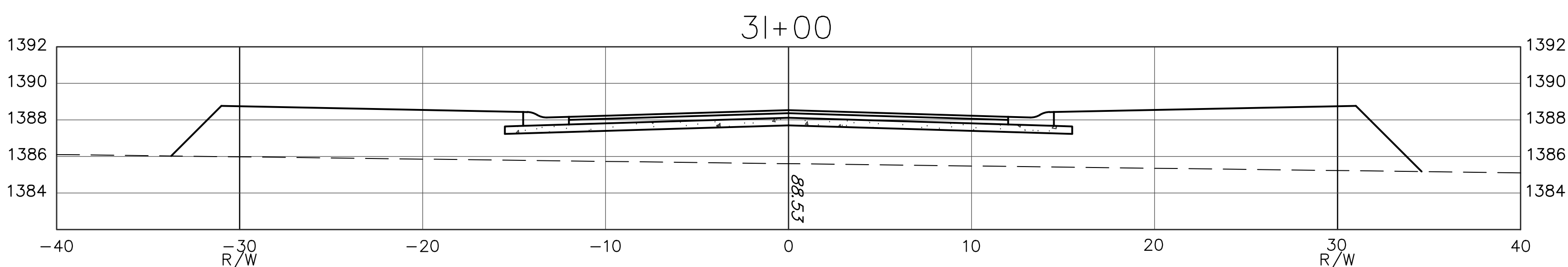
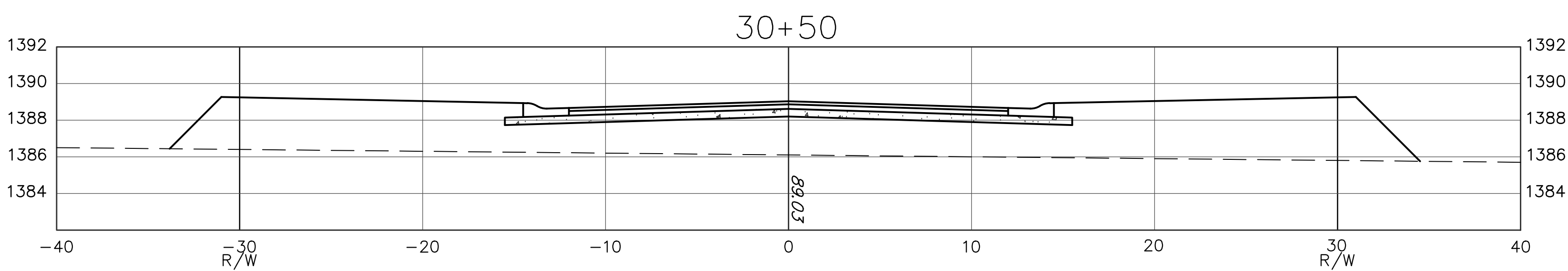


BRIDGEWOOD COURT



Sawmill Creek Addition (Phase 2) Cross Sections Wichita, Kansas			
PROJECT NUMBER			
KEMILLER ENGINEERING, P.A.	FILE	DATE	SHEET
117 E. Leola, Wichita, KS 67202 (316)94-0942	DESIGN KM	01/2022	6.3
	DRAWN ZS	REVISED	