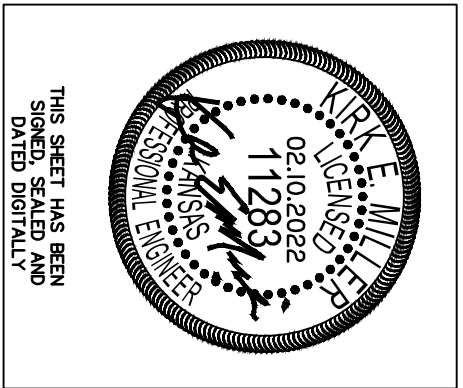
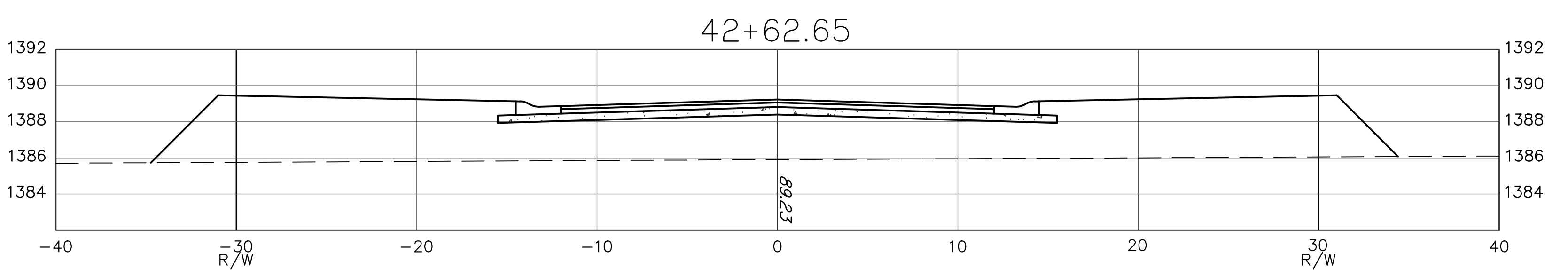
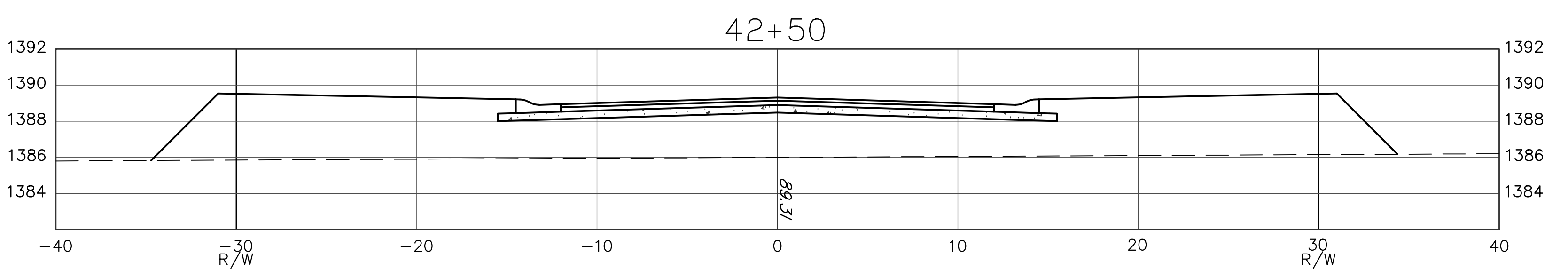
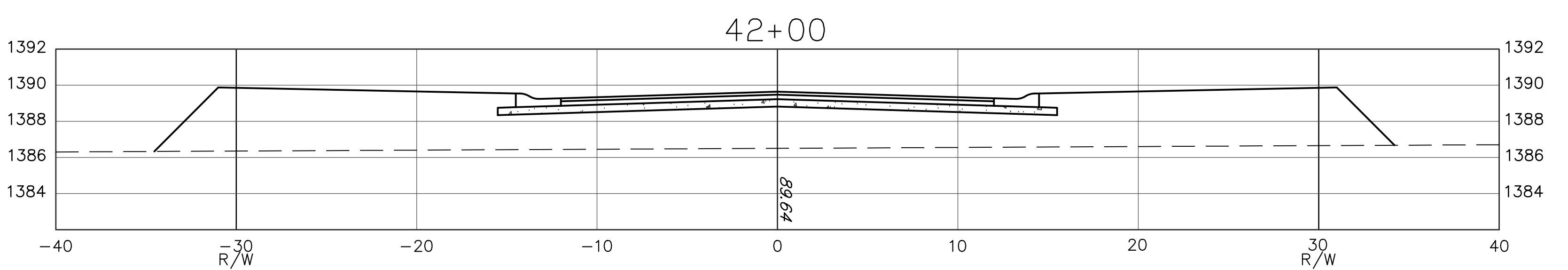
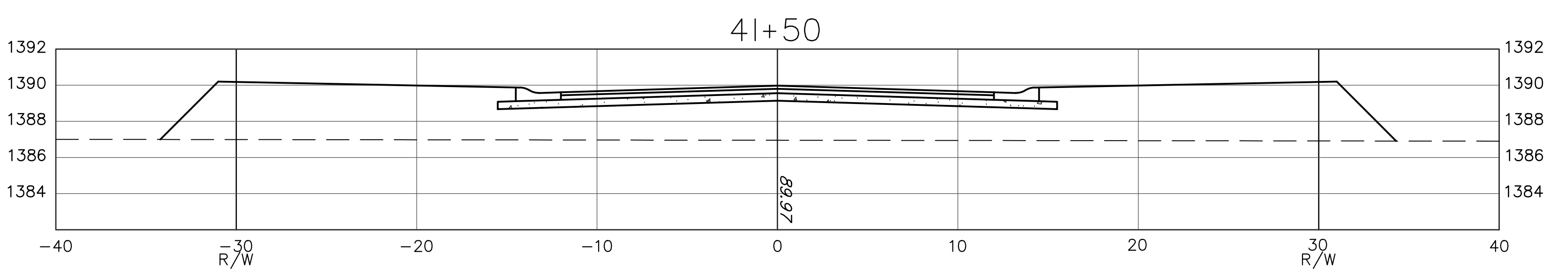
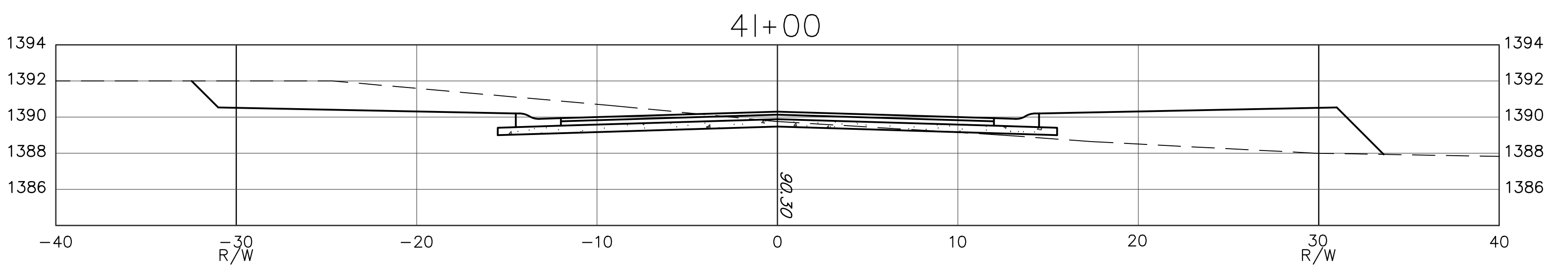
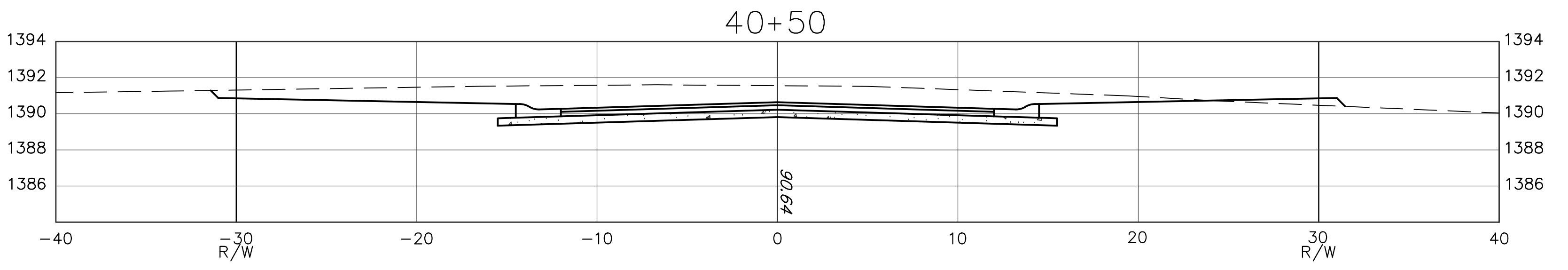


SPYGLASS COURT



**KEMILLER ENGINEERING PA**  
117 E. Leola, Wichita, KS 67202 (316)394-0942

**Sawmill Creek Addition (Phase 2)  
Cross Sections  
Wichita, Kansas**

DESIGN	FILE	DATE	SHEET
KM	ZS	01/2022	
PROJECT NUMBER			6.4