

**TRAFFIC SIGNAL QUANTITIES \*\***

ITEM	UNIT	QUANTITY
Traffic Controller (2070) (See Specs.)	Ea.	1
Pad Mounted Cabinet	Ea.	1
Pole Mounted Cabinet	Ea.	-
Concrete Controller Pad	Ea.	1
Traffic Signal Pole, Steel (See Summary)	Ea.	2
Traffic Signal Mastarm (See Summary)	Ea.	3
Traffic Signal Pedestal	Ea.	1
Service Box	Ea.	3
Pushbutton Station	Ea.	4
Concrete Footing for Traffic Signal Poles	Ea.	2
Concrete Footing for Traffic Signal Pedestals	Ea.	1
Traffic Signal Heads (See Summary)	Ea.	11
Pedestrian Signal Heads (See Summary)	Ea.	4
Pedestrian Pushbutton Sign (R10-3e)	Ea.	4
Ground Rod & Clamp	Ea.	5
Multi-Conductor Cable No. 14 AWG 7/c	L.F.	1807
Multi-Conductor Cable No. 14 AWG 5/c	L.F.	66
Multi-Conductor Cable No. 14 AWG 3/c	L.F.	36
#6 AWG Ground Wire (Green)	L.F.	388
#6 AWG Power Supply Wire	L.F.	500
Conduit 1" (RGC)	L.F.	-
Conduit 2" (RGC)	L.F.	270
Conduit 3" (RGC)	L.F.	197
Street Name Sign (See Summary)	Ea.	3
R10-12 (Special)	Ea.	1
R-10-3-e (9"x15")	Ea.	4
Radar Detection Device	Ea.	-
Video Detection Device	Ea.	3
Combination Video/Radar Detection Device	Ea.	-
Detection Wiring	L.F.	745

\*\* The "Traffic Signal Quantities" presented on this sheet are for Information Only. Contractor Shall be responsible for determining actual quantities of material needed to complete this project.

**NOTE:**

The Traffic Signal Push Buttons shall be accessible Pedestrian Signals (APS) units per City Standard Specifications.

**OVERHEAD STREET NAME SIGN SUMMARY**

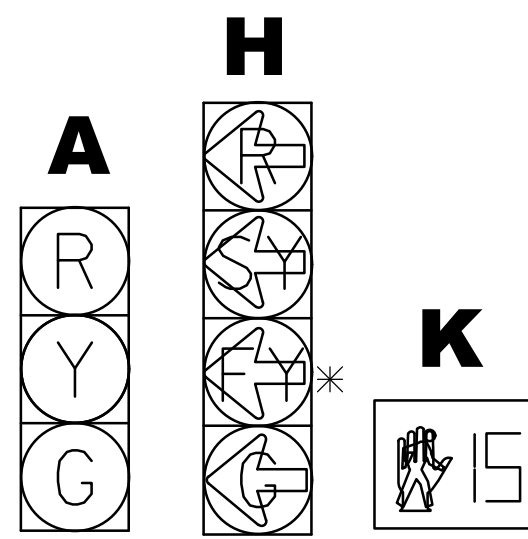
POLE #	LEGEND	TYPE	SIZE	ADDRESS
①	S BROADMOOR	D-3	18" X Varies	2200 N
	E 21ST STREET	D-3	18" X Varies	7500 E
②	BROADMOOR	D-3	18" X Varies	2100 N

**PAY QUANTITY \*\*\***

ITEM	UNIT	TOTAL
Signing	LS	1

\*\*\* All Costs associated with erecting Permanent Signing shall be Paid for per the Lump Sum Bid Item "Signing".

**TRAFFIC SIGNAL HEADS**



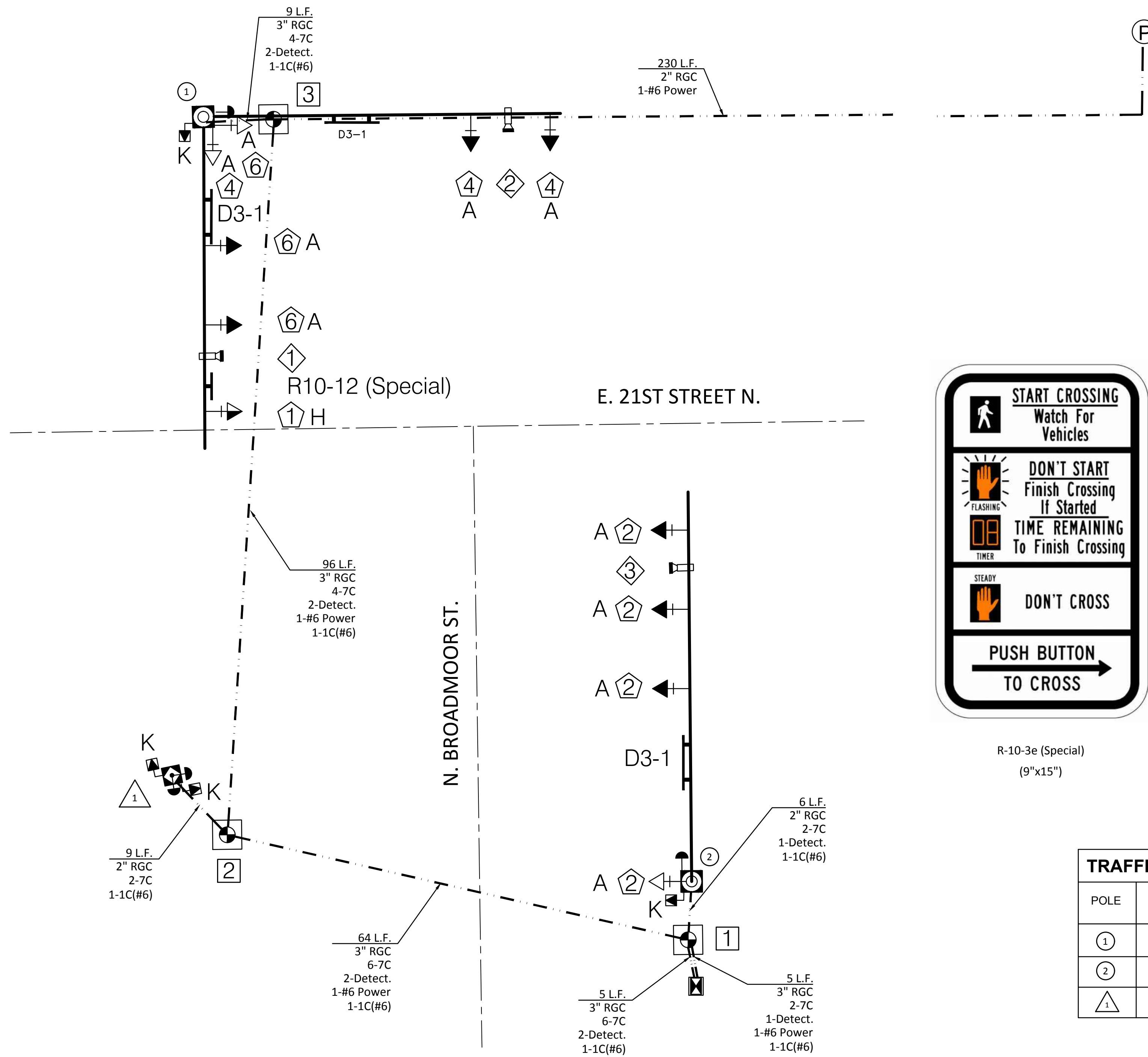
SIGNAL FACE ARRANGEMENT	# SECTIONS (PER FACE)	SIGNAL MOUNTING TYPE	QUANTITY
A	3	Mast Arm w/ Reflectorized Backplate	7
A	3	Side of Traffic Signal Pole	3
A	3	On Traffic Signal Pedestal	-
H	4	Mast Arm w/ Reflectorized Backplate	1
K	1	Side of Traffic Signal Pole	2
K	1	On Traffic Signal Pedestal	2

**NOTES**

- 1) \* SHALL NOT BE DISPLAYED WHEN OPERATING IN THE PROTECTED ONLY MODE.
- 2) ALL INDICATIONS SHALL BE L.E.D. DISPLAYS (12" DIAMETER LENS), EXCEPT PEDESTRIAN DISPLAYS WHICH SHALL BE 18" WIDE x 16" TALL.

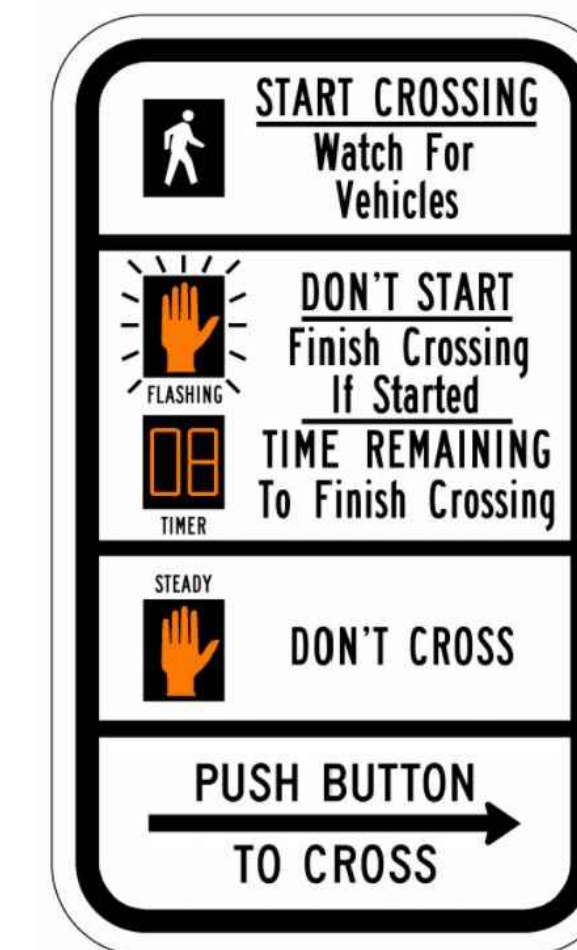
**NOTES**

- 1) Each Traffic Signal Pole Shall have a separate Ground Rod installed in addition to continuous Ground Wire.
- 2) All Splices to Signal Cable are to be within the Pole Base. No Splices of Signal Cable are permitted within the Service/Junction Boxes.

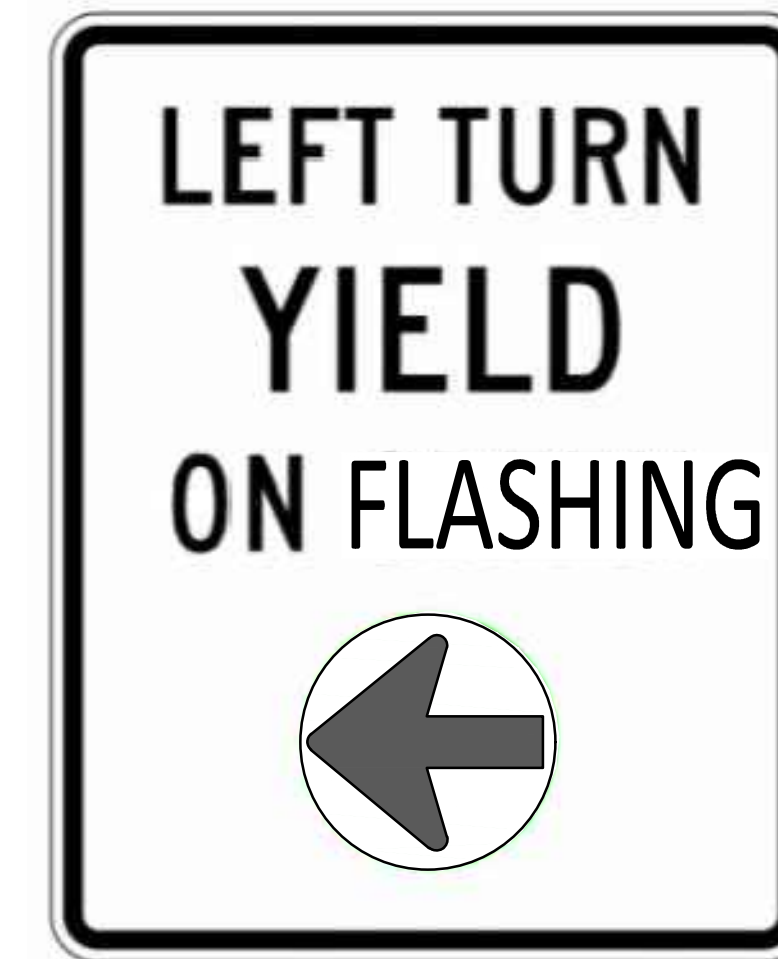


**LEGEND**

- ① Traffic Signal Pole Number
- △ Pedestrian Signal Pole Number
- 1 Service/Junction Box Number
- ◇ Camera Number
- ① Phase Number



R-10-3e (Special)  
(9"x15")

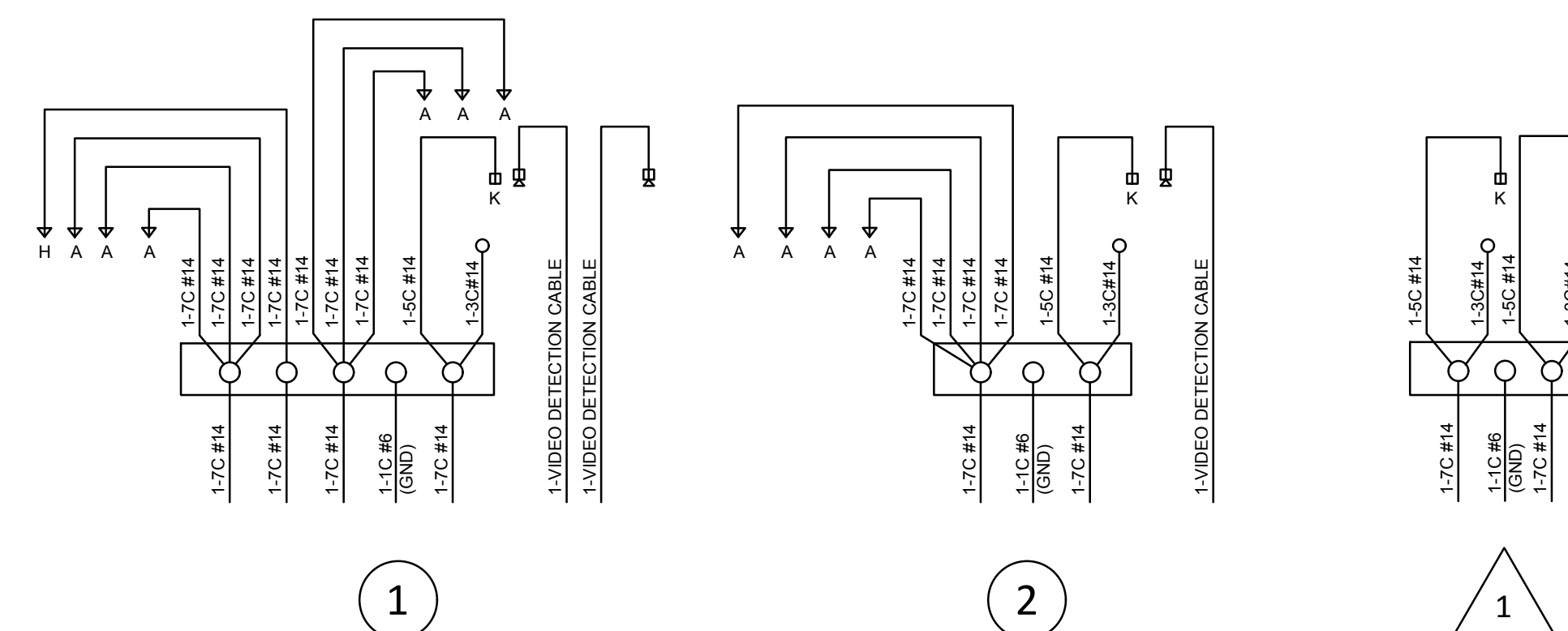


R-10-12 (Special)  
(30"x36")

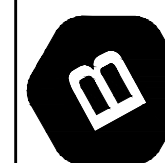
**TRAFFIC SIGNAL POLES**

POLE	TOP OF CONCRETE FOUNDATION ELEVATION
①	1403.40
②	1404.30
△	1403.10

**POLE WIRING DIAGRAM**



BAUGHMAN COMPANY  
315 Ellis St. Wichita, KS 67211 316-262-7271  
BaughmanCo.com



21ST STREET & BROADMOOR INTERSECTION  
**SIGNAL WIRING**  
PAVING & SIGNAL IMPROVEMENTS

PROJECT NUMBER: #1111  
INTERNAL NUMBER: 20-02-E500  
DESIGN: ENG  
DRAWN: JSB  
DATE: Mar, 2022

SHEET  
OF 14  
30