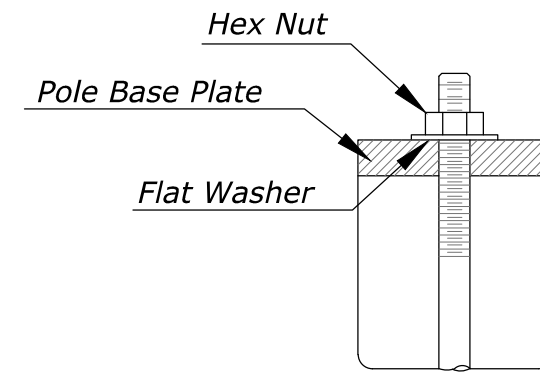
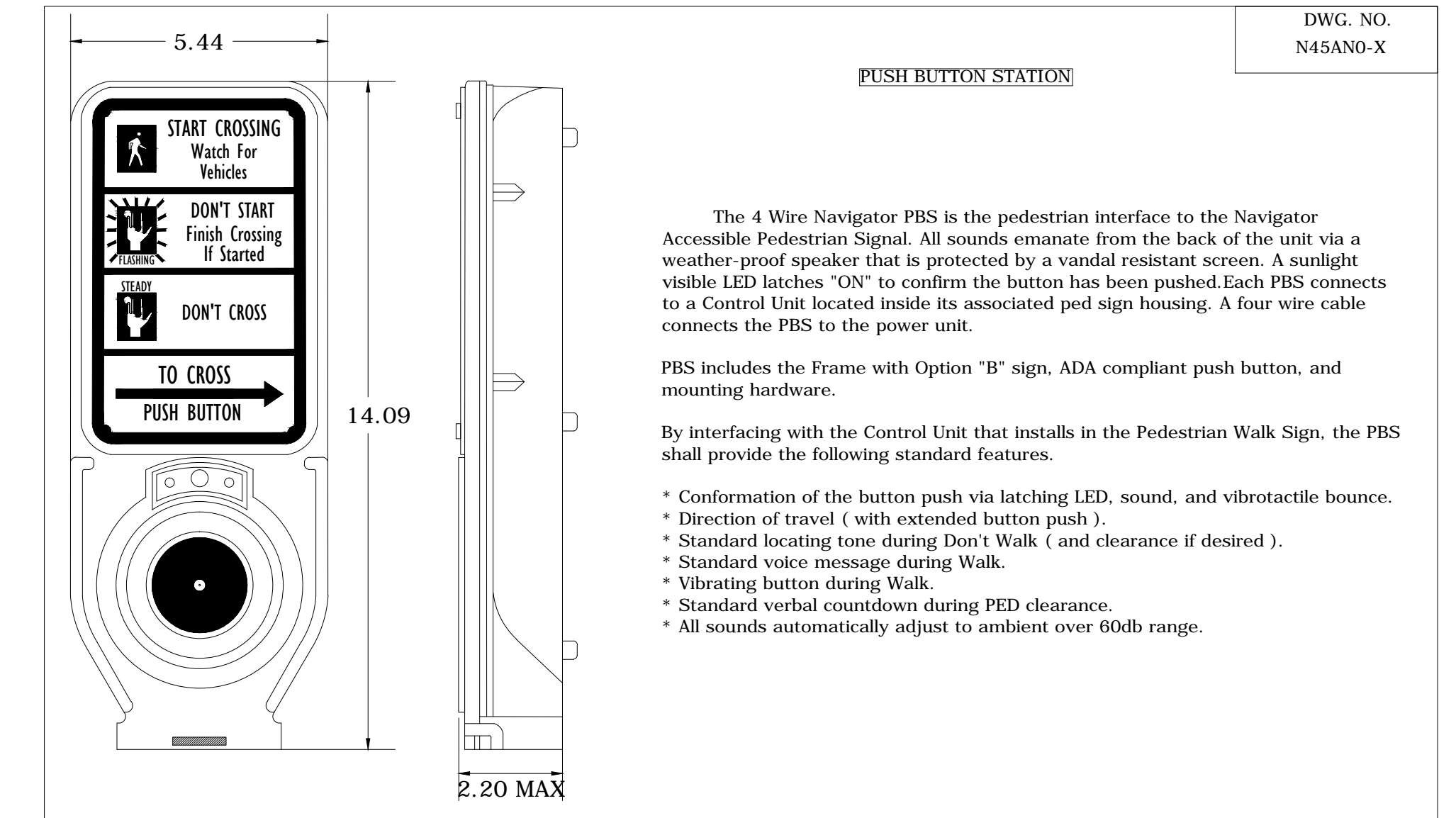
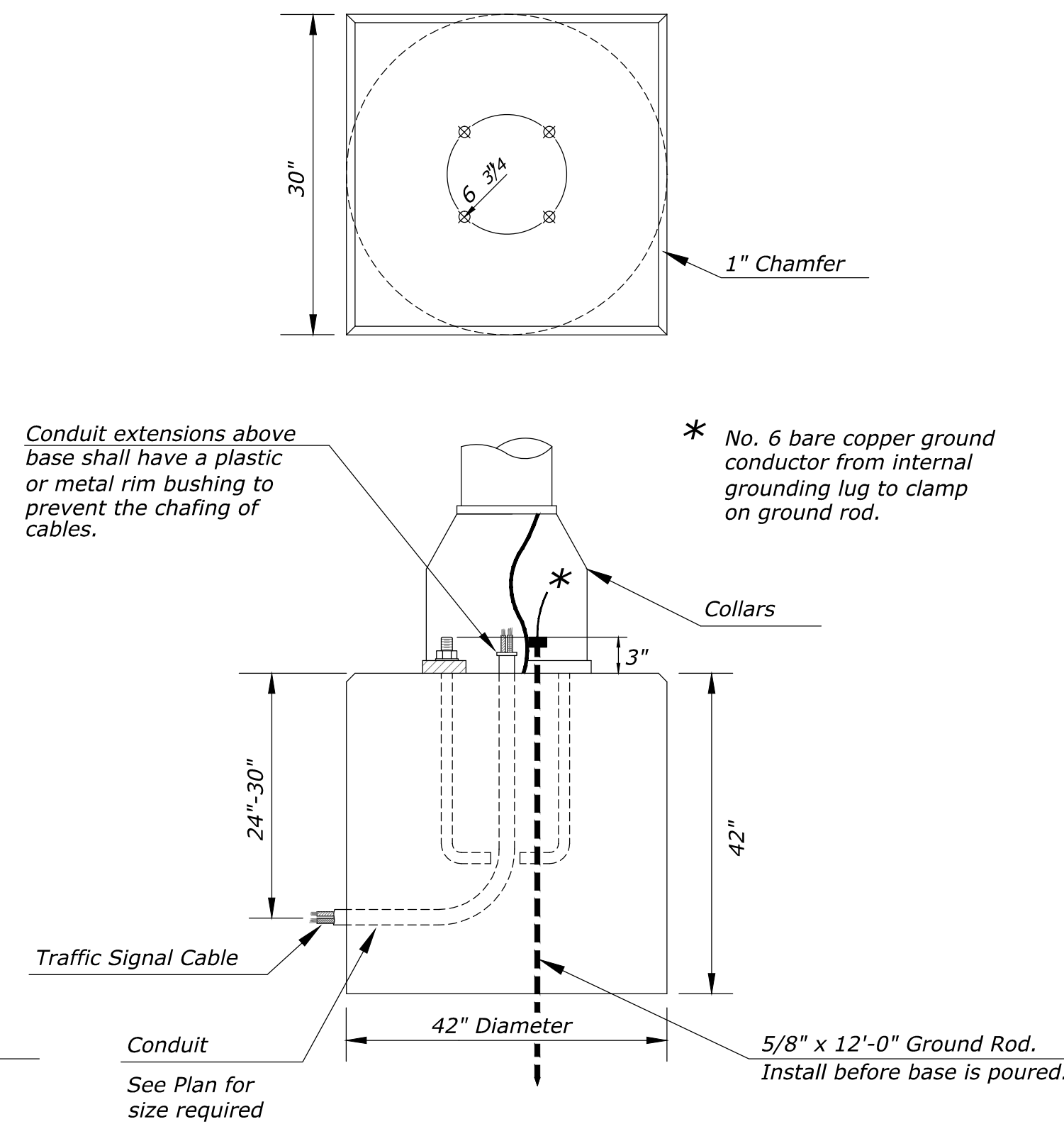
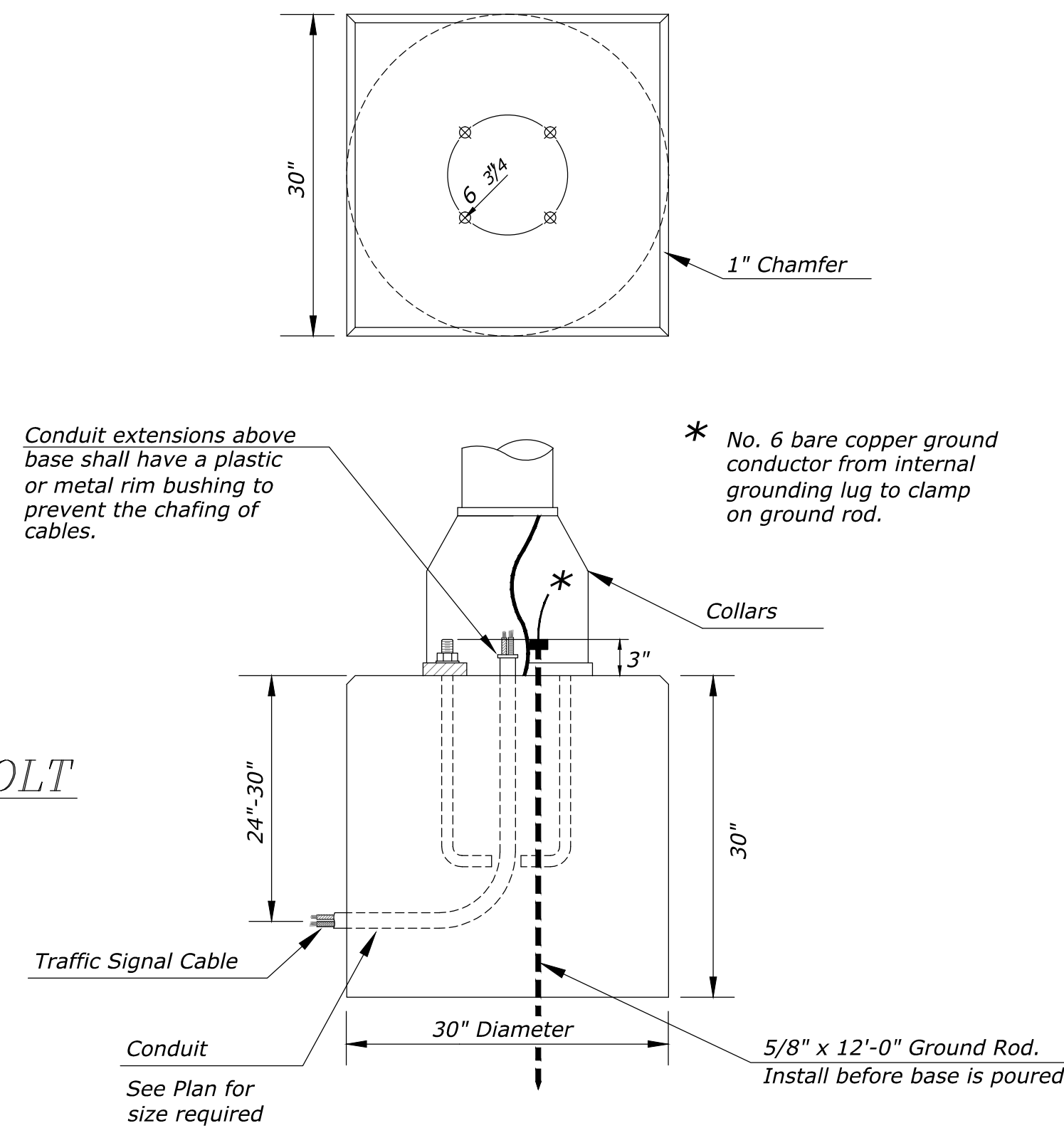


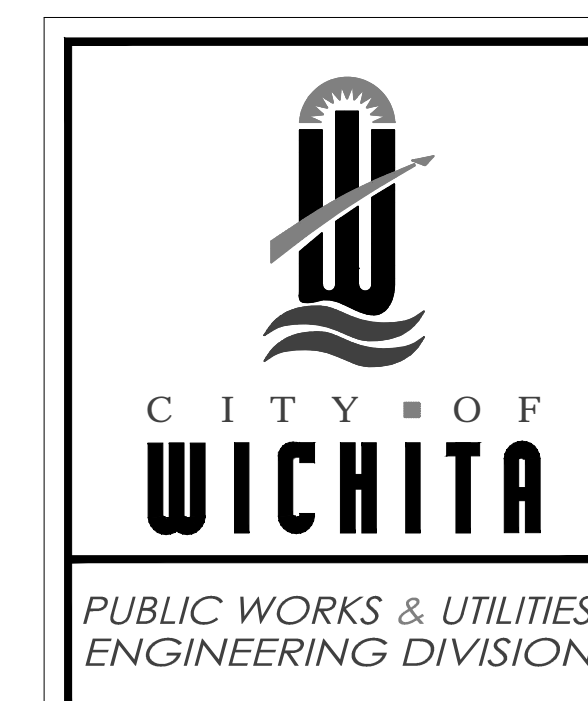
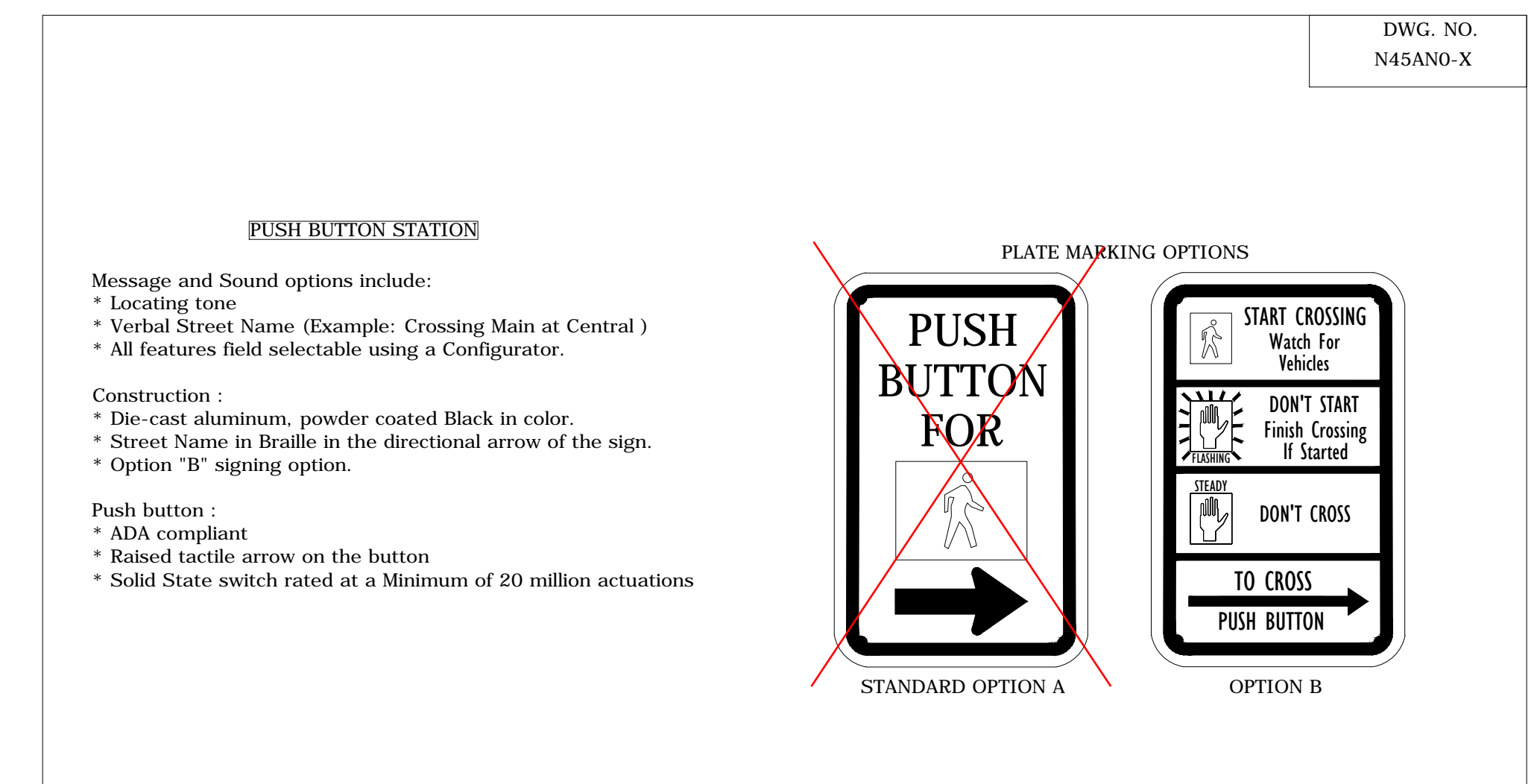
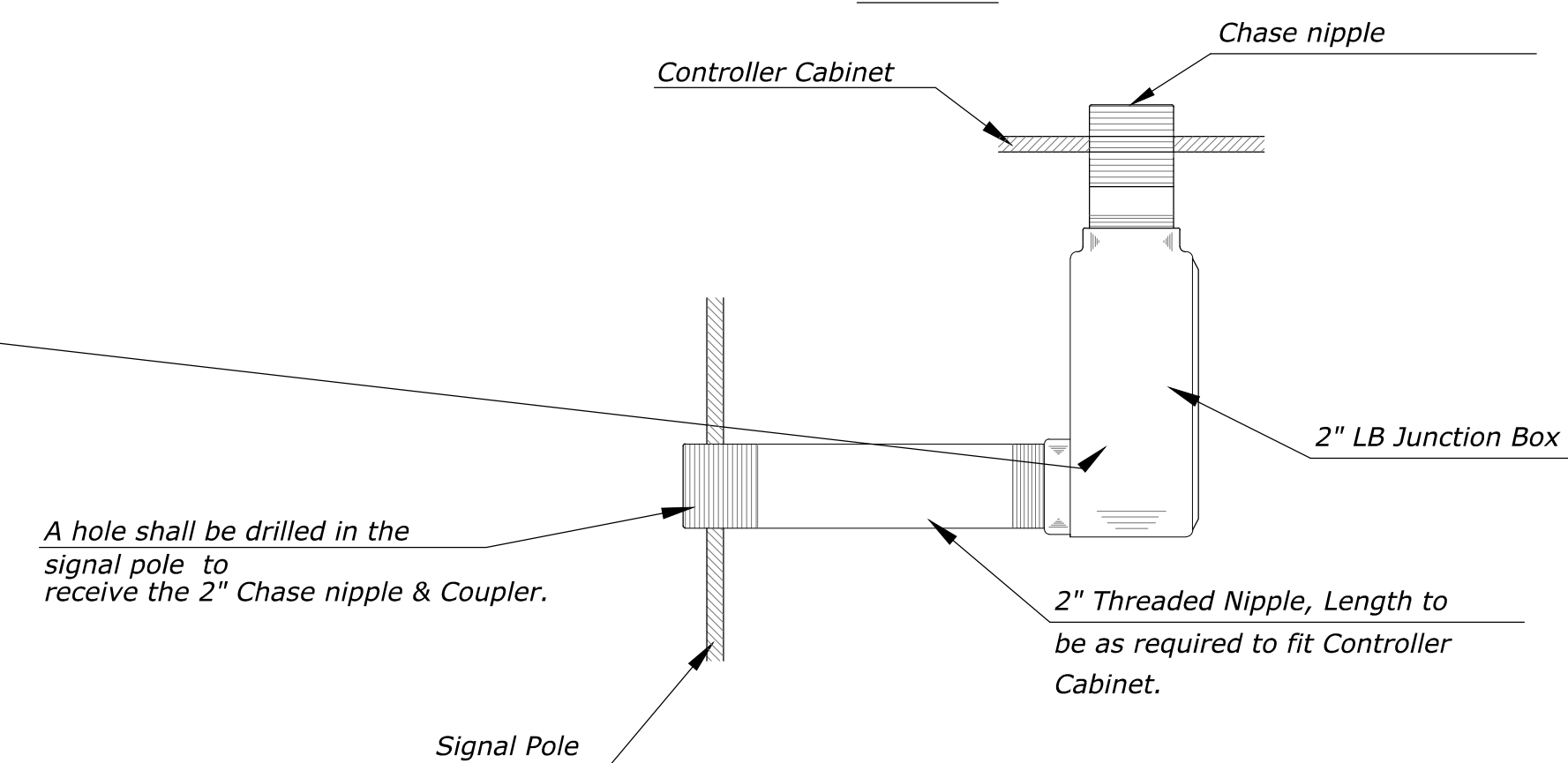
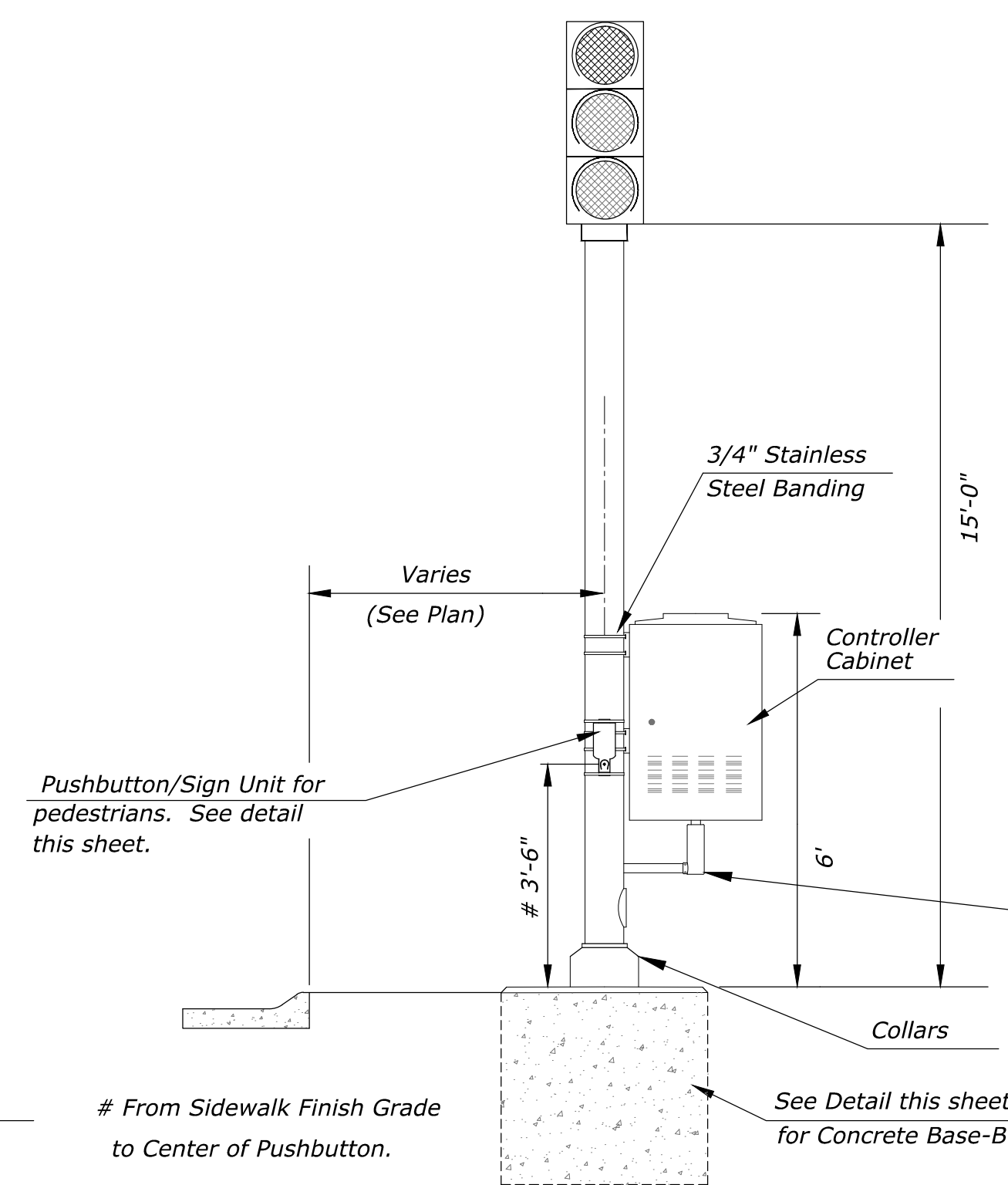
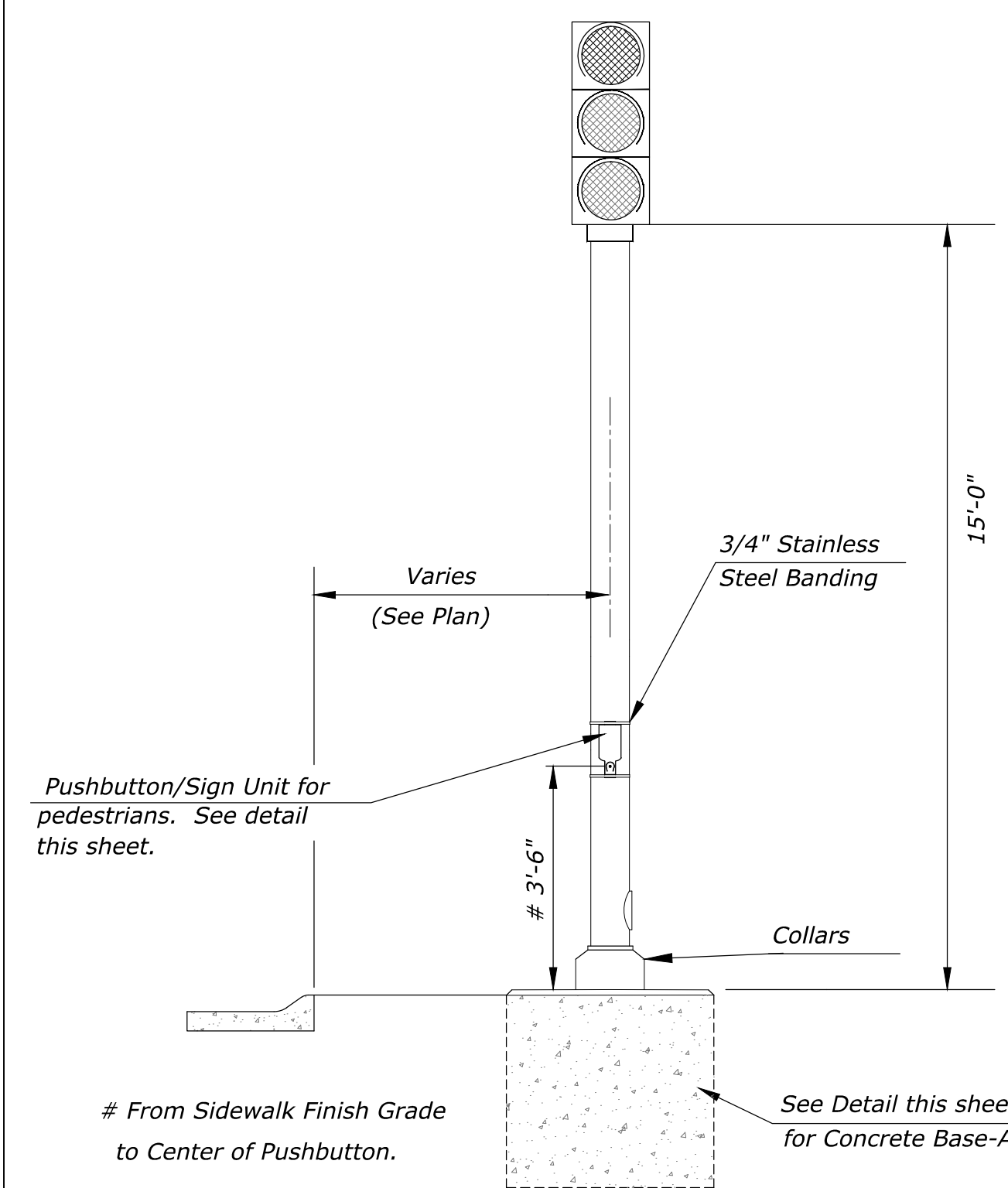
Use Keystone "No-Weld Number 1 Anti-Seize Compound" on all bolts & nuts.



**ANCHOR BOLT  
DETAIL**



**PEDESTRIAN PUSHBUTTON/SIGN  
UNIT DETAIL**



REVISED: AUGUST 2014

**SIGNAL PEDESTAL & BASE  
WITH ADA PUSH BUTTON**

TRAFFIC ENGINEER  
**MIKE ARMOUR, P.E.**

PROJECT NUMBER	OCA NUMBER	DATE

CITY ENGINEER'S OFFICE  
CITY HALL - SEVENTH FLOOR  
455 NORTH MAIN STREET  
WICHITA, KANSAS 67202-1620  
(316) 268-4501

SHEET  
**17 of 30**