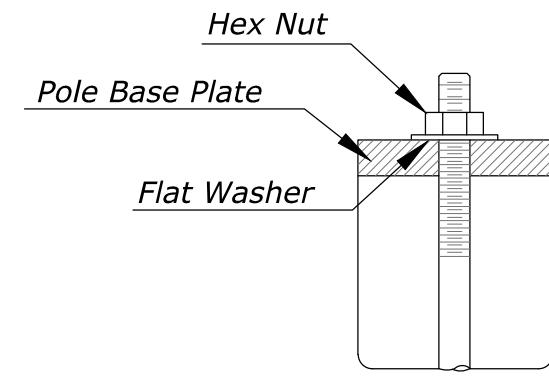
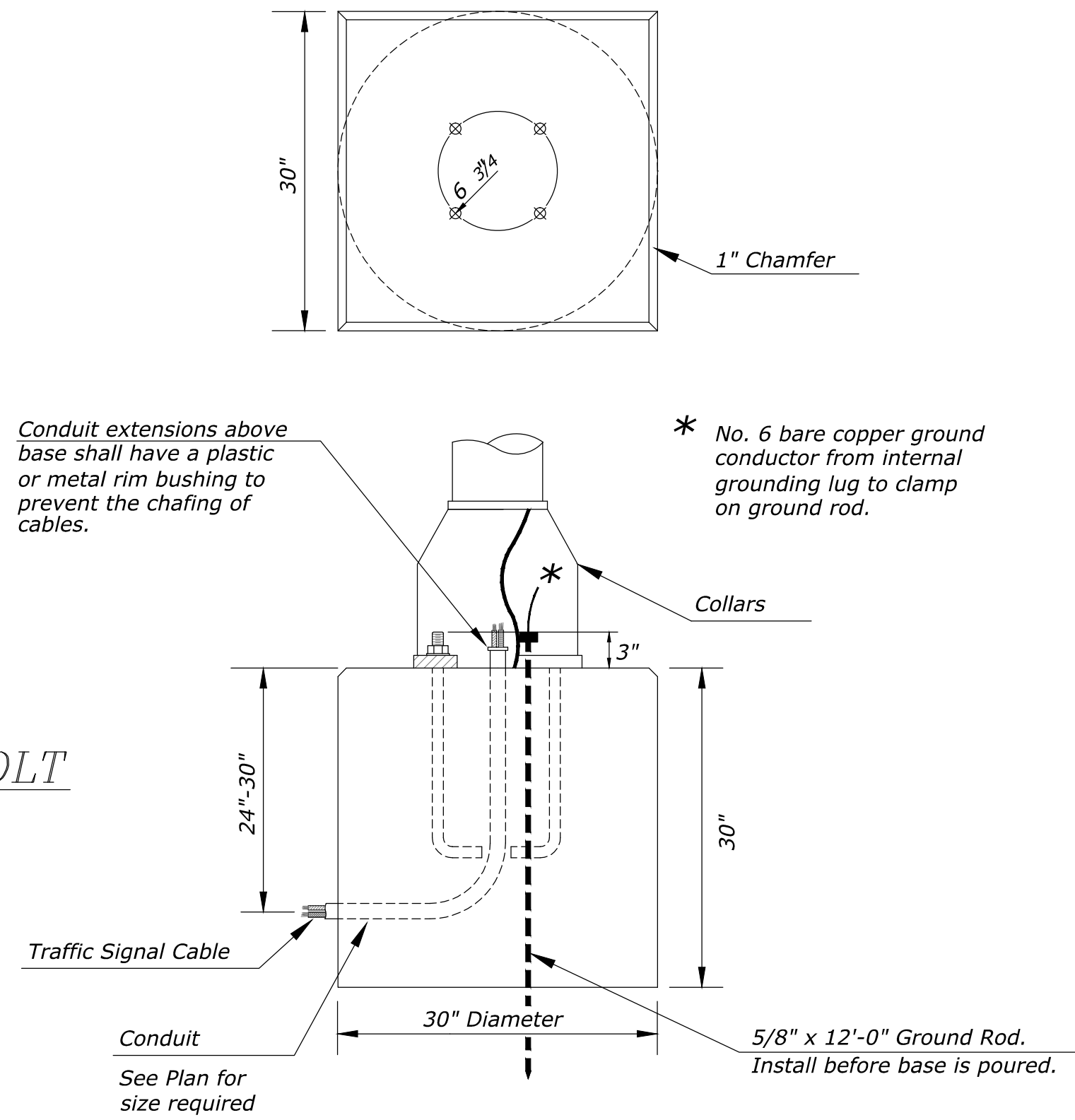


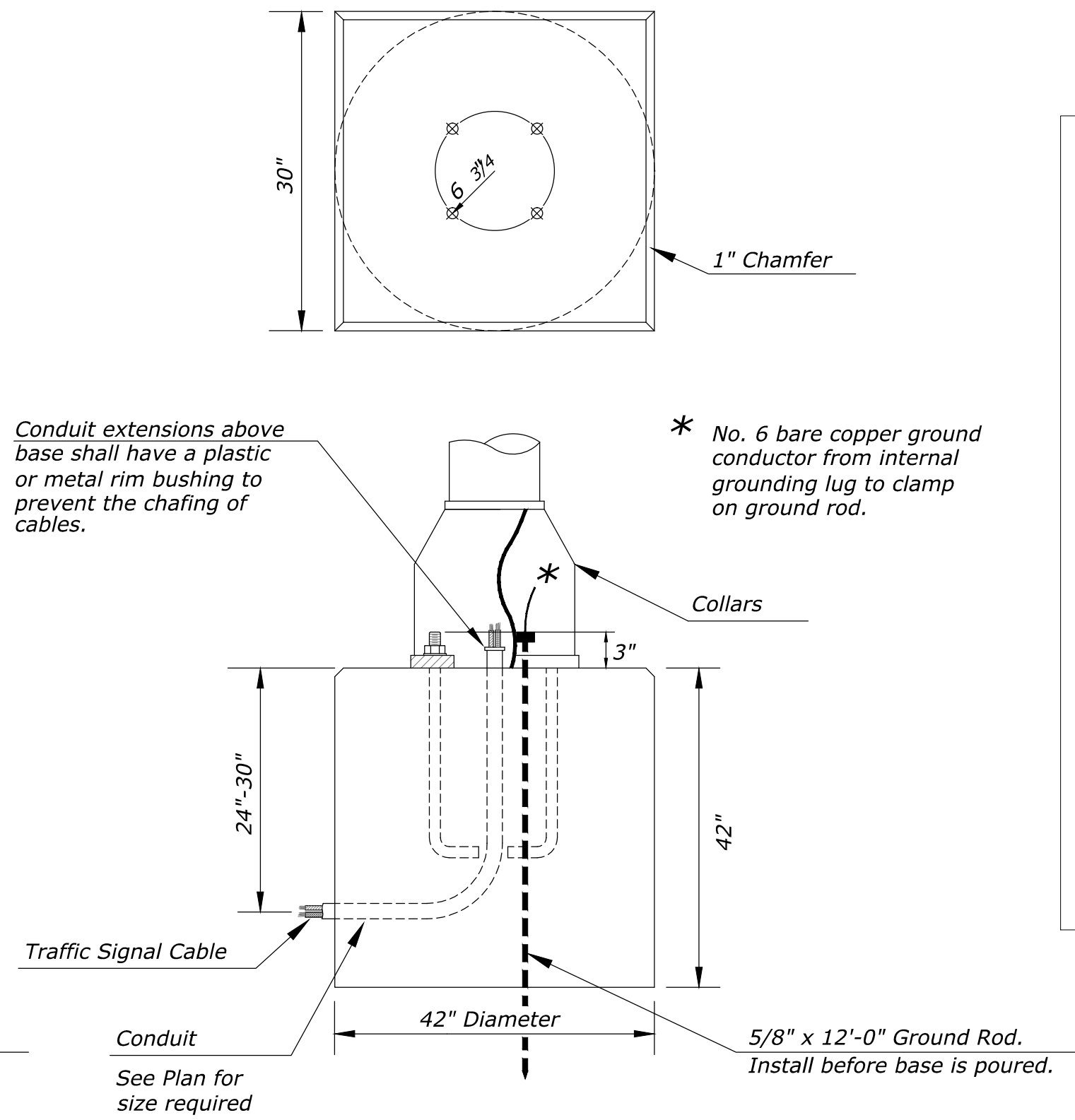
Use Keystone "No-Weld Number 1 Anti-Seize Compound" on all bolts & nuts.



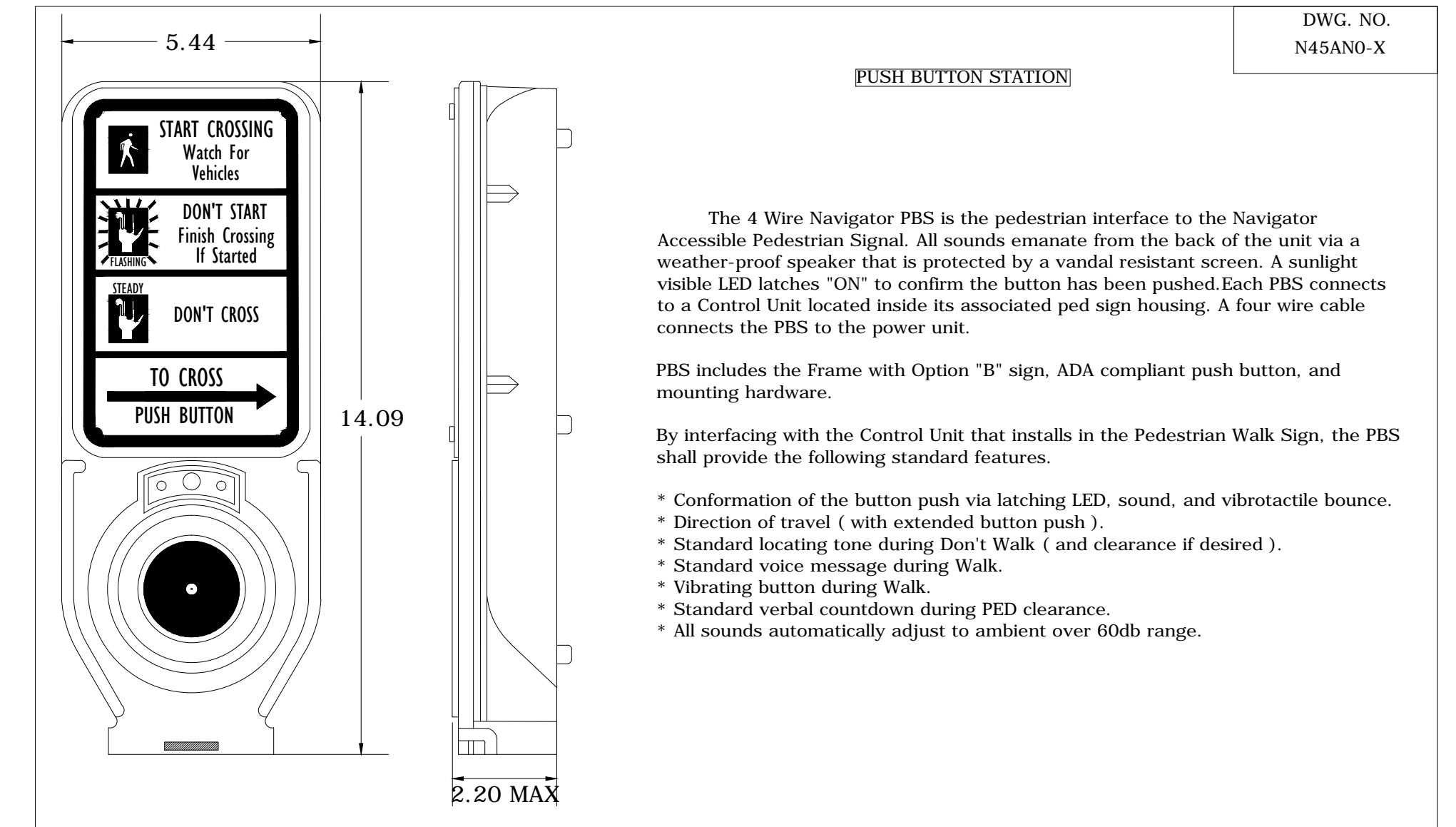
**ANCHOR BOLT
DETAIL**



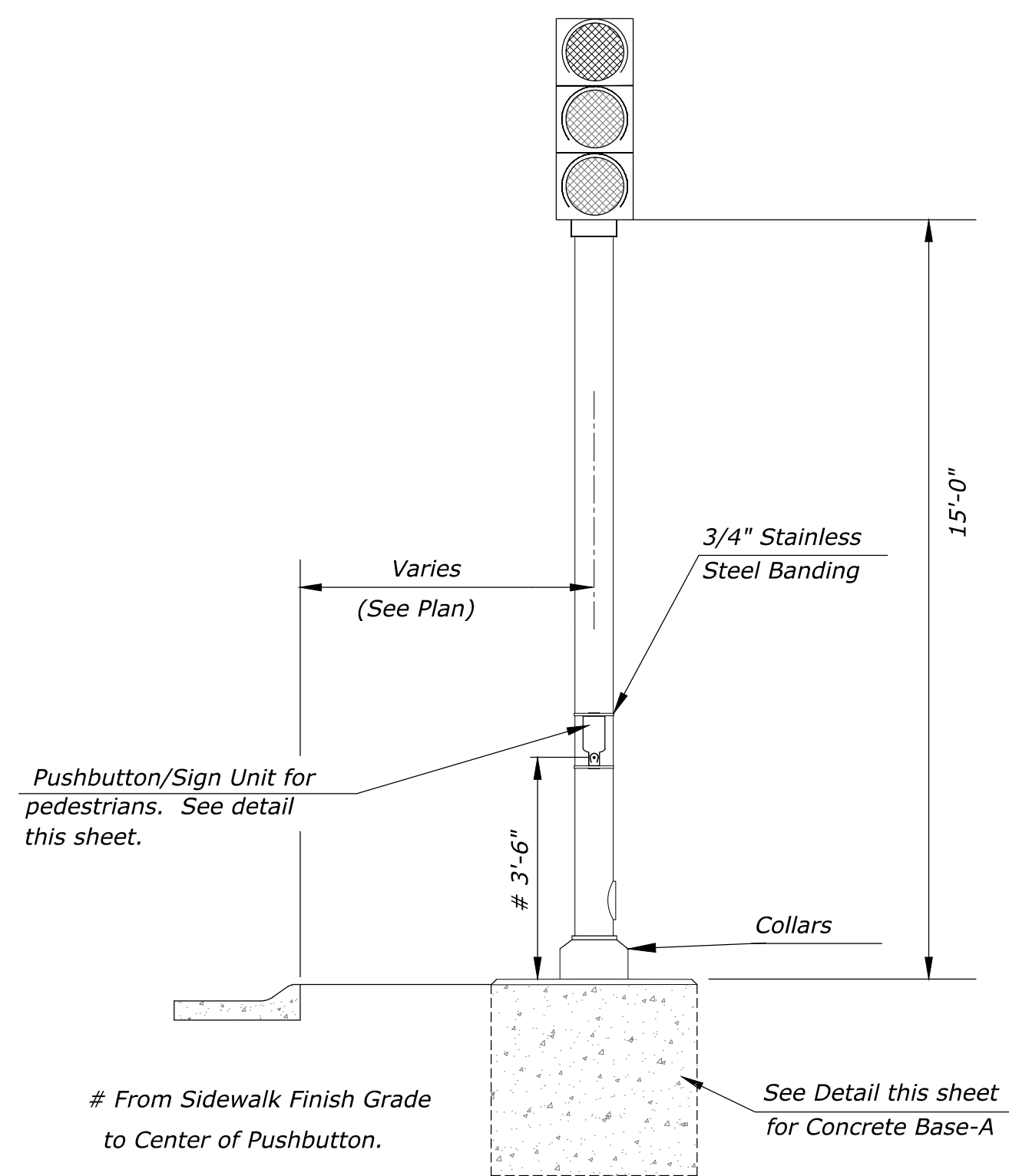
CONCRETE BASE-A DETAIL



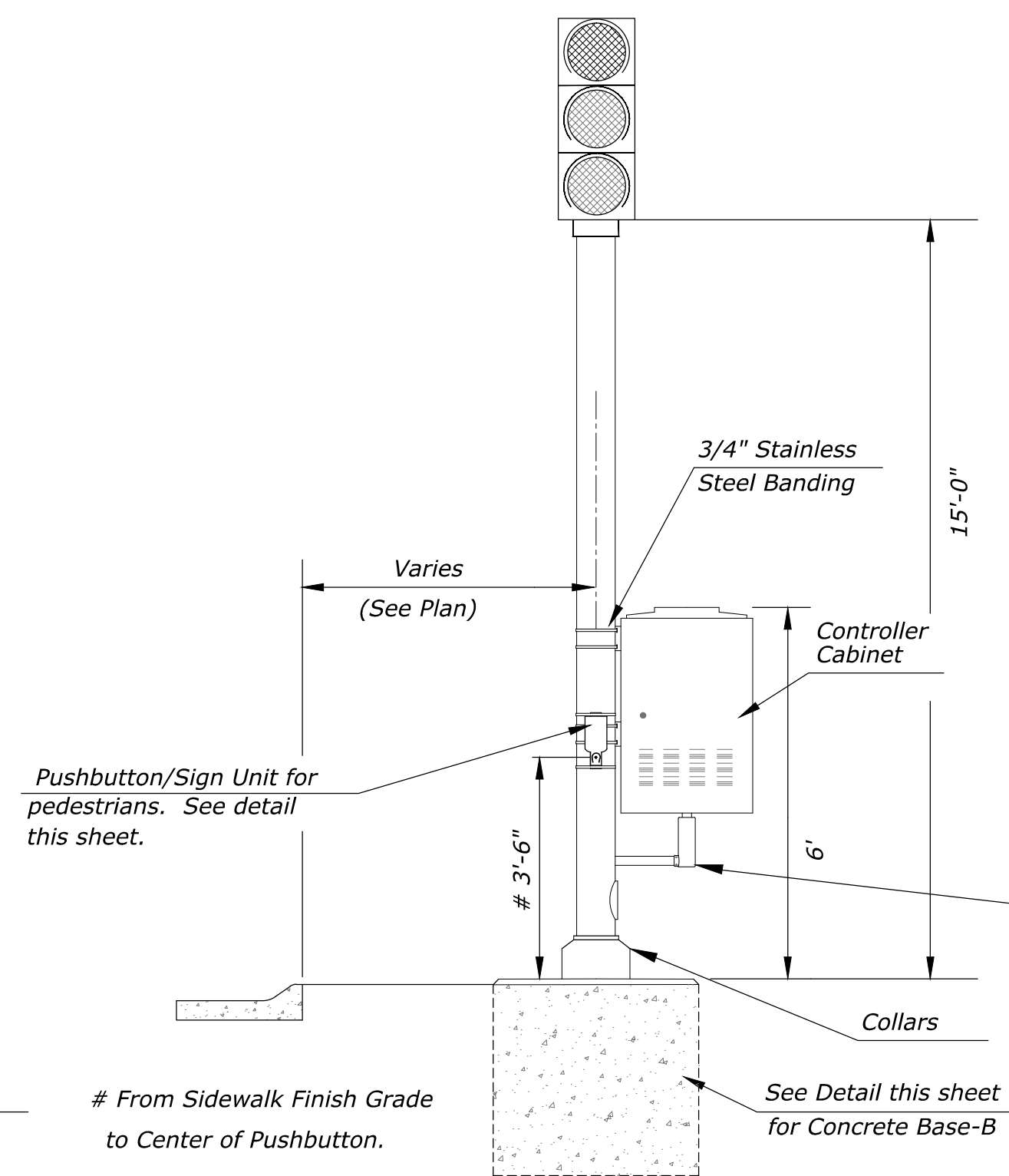
**CONCRETE BASE-B DETAIL FOR
TRAFFIC SIGNAL PEDESTAL
WITH CONTROLLER CABINET**



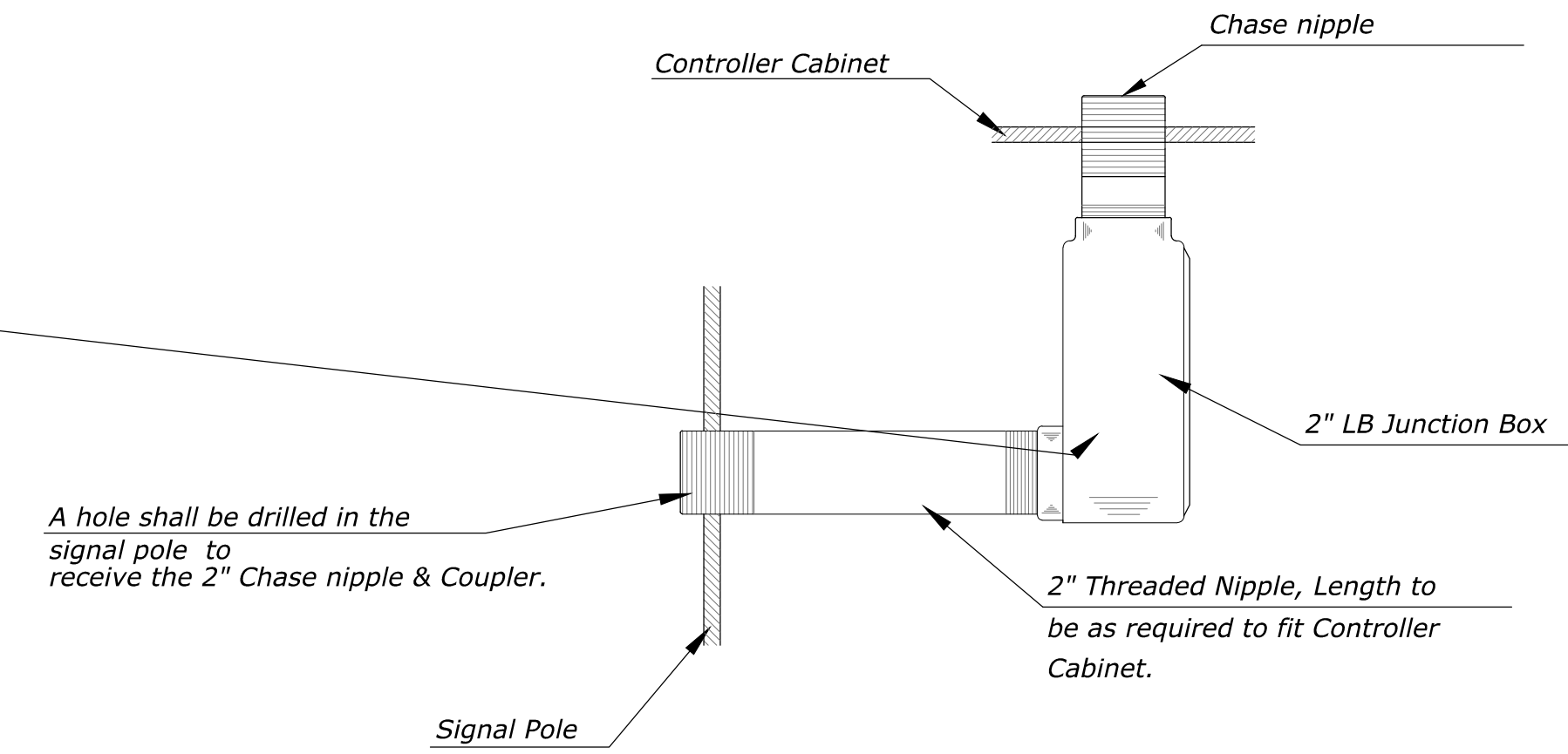
**PEDESTRIAN PUSHBUTTON/SIGN
UNIT DETAIL**



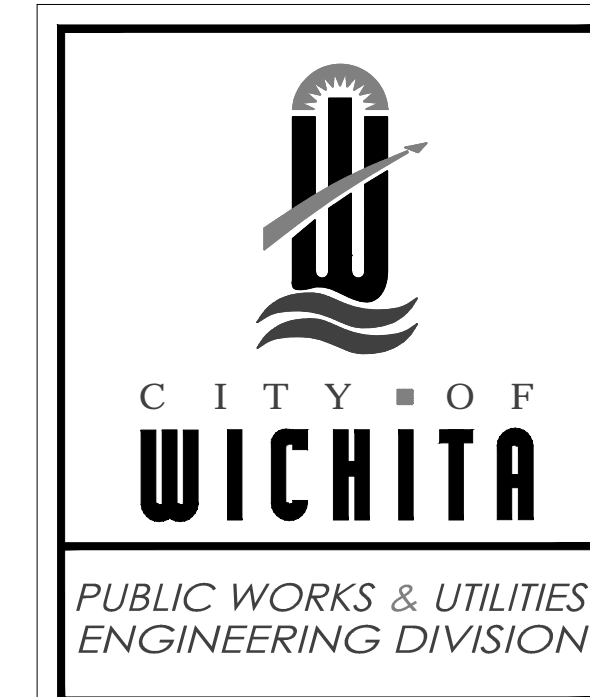
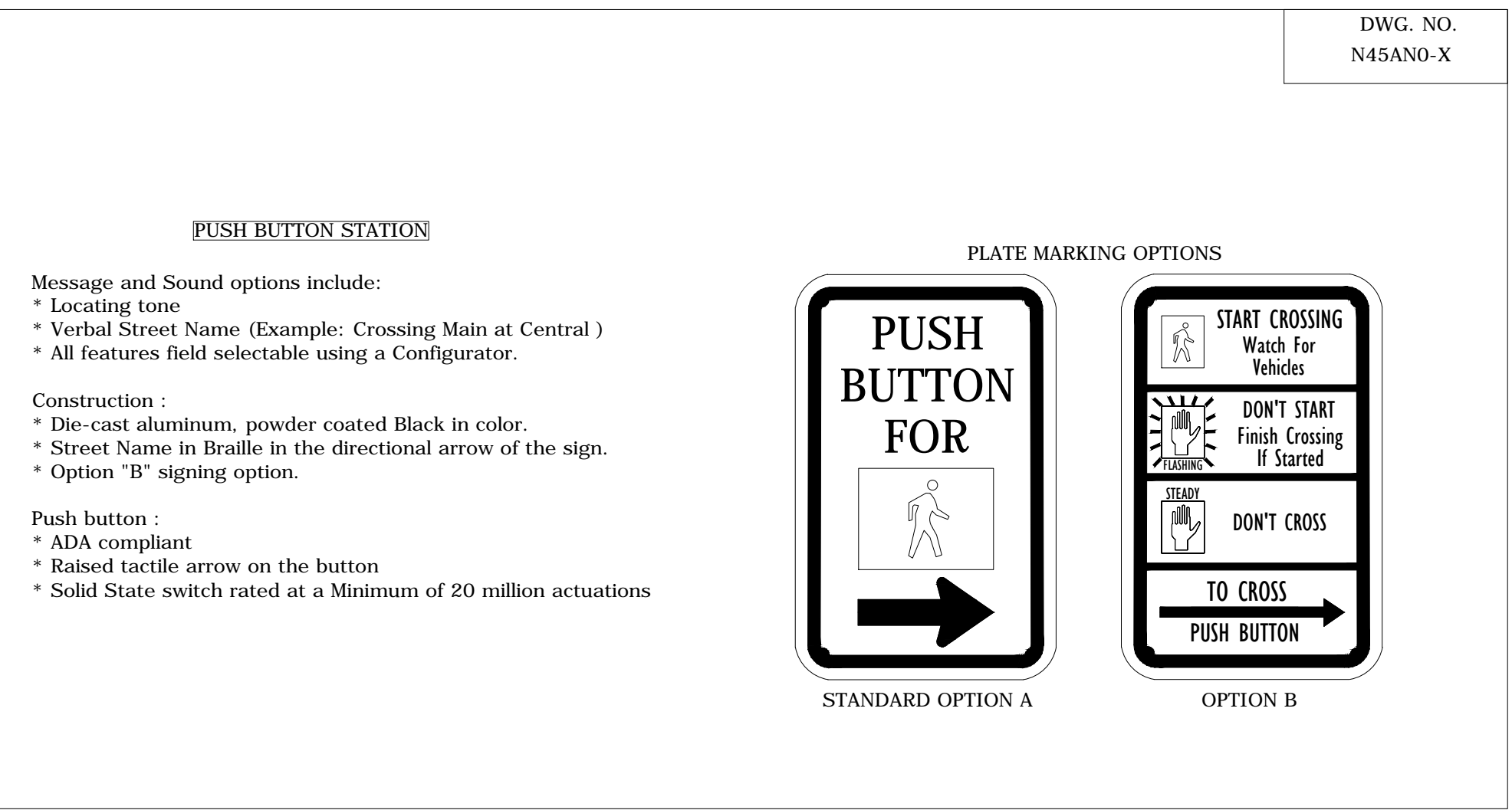
TRAFFIC SIGNAL PEDESTAL



**TRAFFIC SIGNAL PEDESTAL
WITH CONTROLLER CABINET**



A hole shall be drilled in the signal pole to receive the 2" Chase nipple & Coupler.



SIGNAL PEDESTAL & BASE WITH ADA PUSH BUTTON		
TRAFFIC ENGINEER BRIAN A. COON P.E.		
PROJECT NUMBER	OCA NUMBER	DATE
CITY ENGINEER'S OFFICE CITY HALL - SEVENTH FLOOR 455 NORTH MAIN STREET WICHITA, KANSAS 67202-1620 (316) 268-4501		SHEET 18

DWG. NO.
N45AN0-X

DWG. NO.
N45AN0-X

REVISED: AUGUST 2014