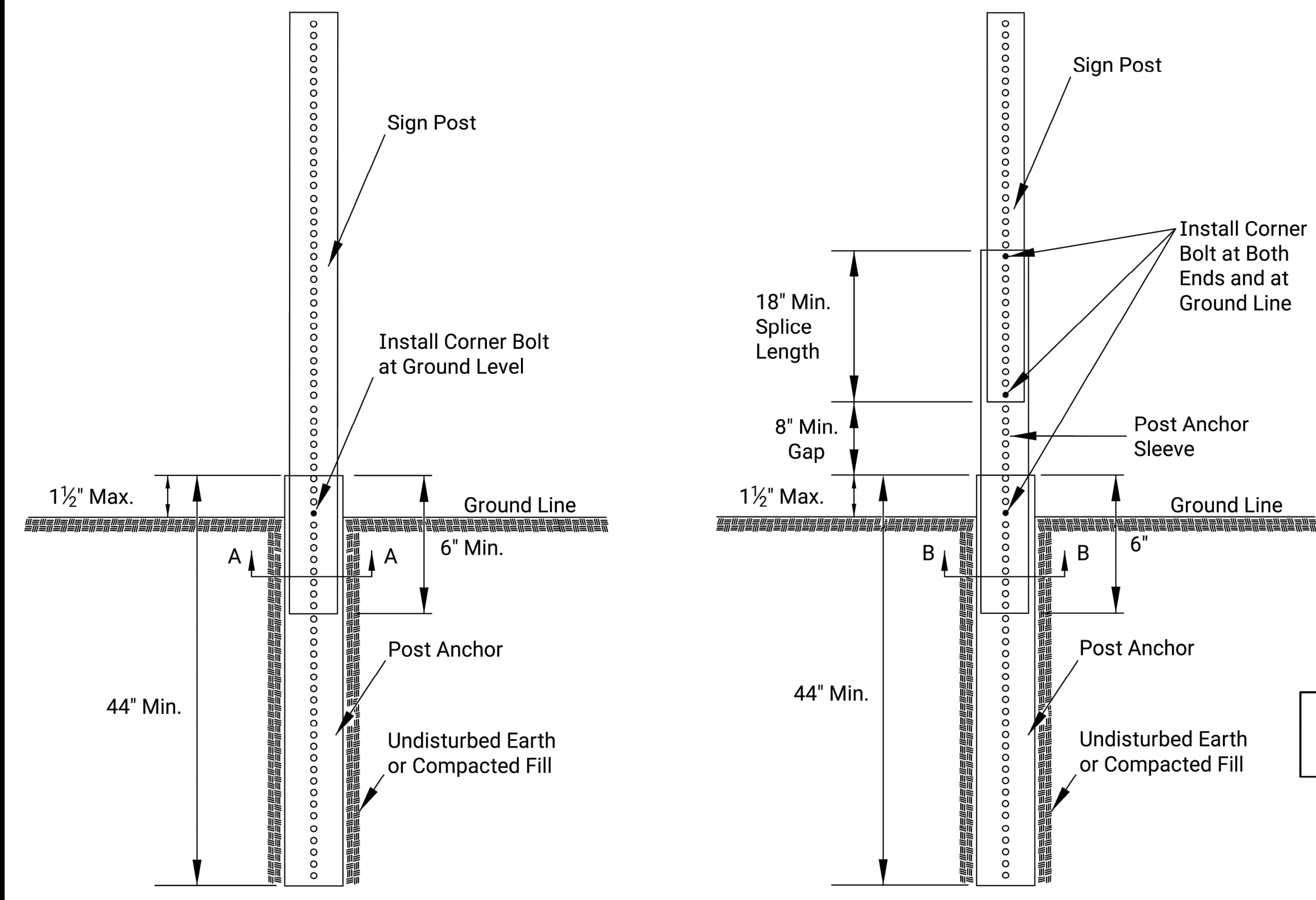


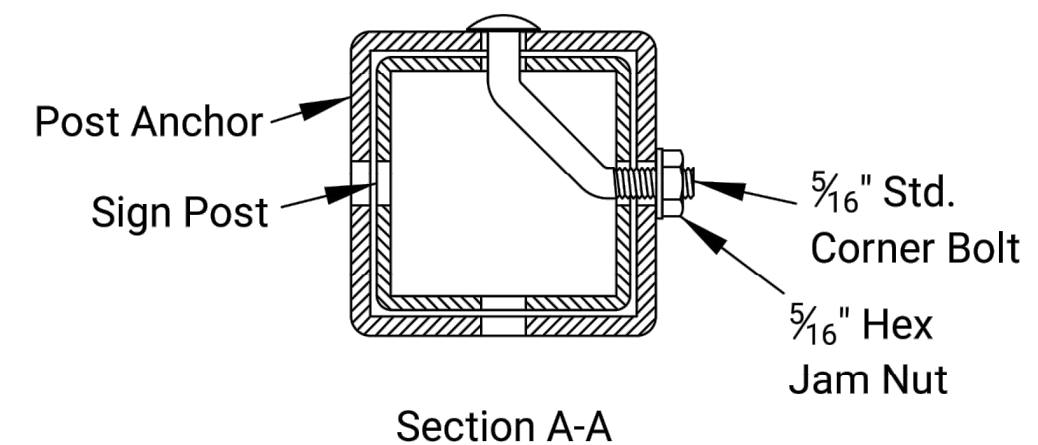
STATE	PROJECT NO.	YEAR	SHEET NO.	TOTAL SHEETS
KANSAS	1901010483	2022	23	23

### PERFORATED SQUARE STEEL TUBE (P.S.S.T.) POST SETUP

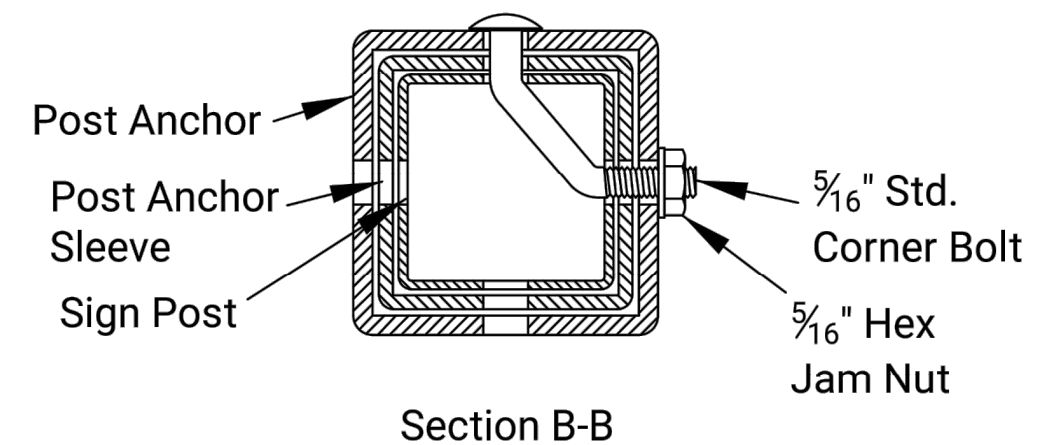


P.S.S.T. Detail

Telescoping P.S.S.T. Detail



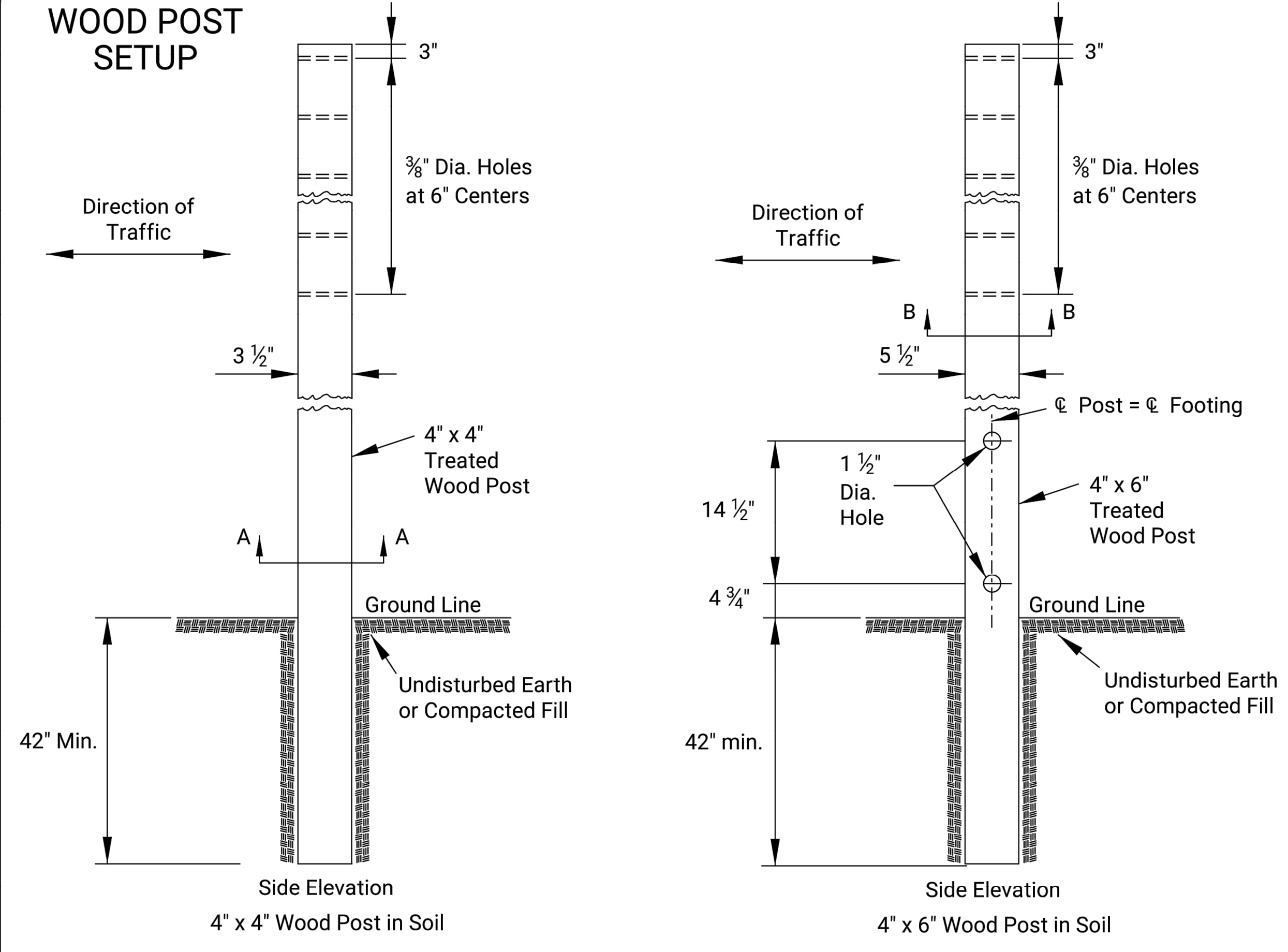
Section A-A



Section B-B

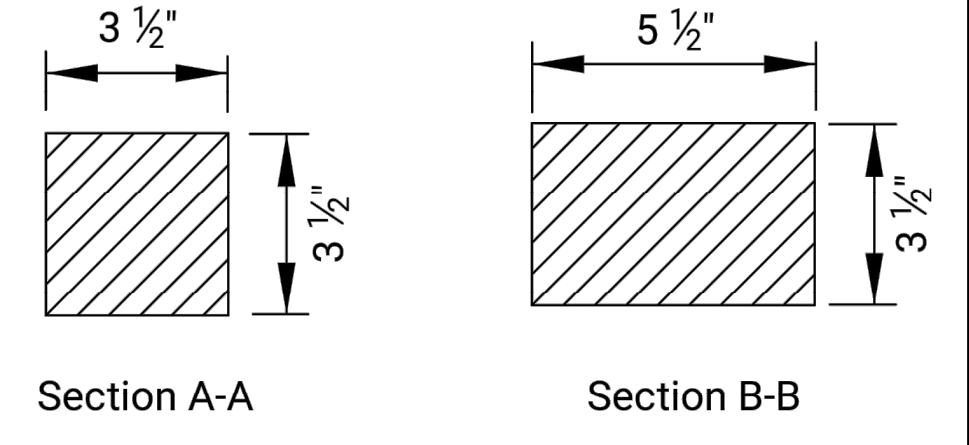
Details for 2", 2 1/4", or 2 1/2" sign posts  
Place bolts in the same corner along each sign post.

### WOOD POST SETUP



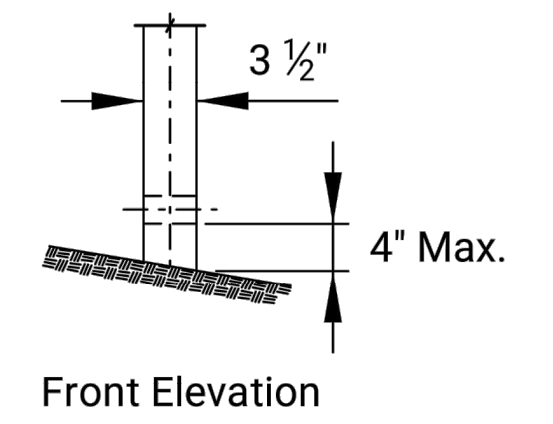
Side Elevation  
4" x 4" Wood Post in Soil

Side Elevation  
4" x 6" Wood Post in Soil



Section A-A

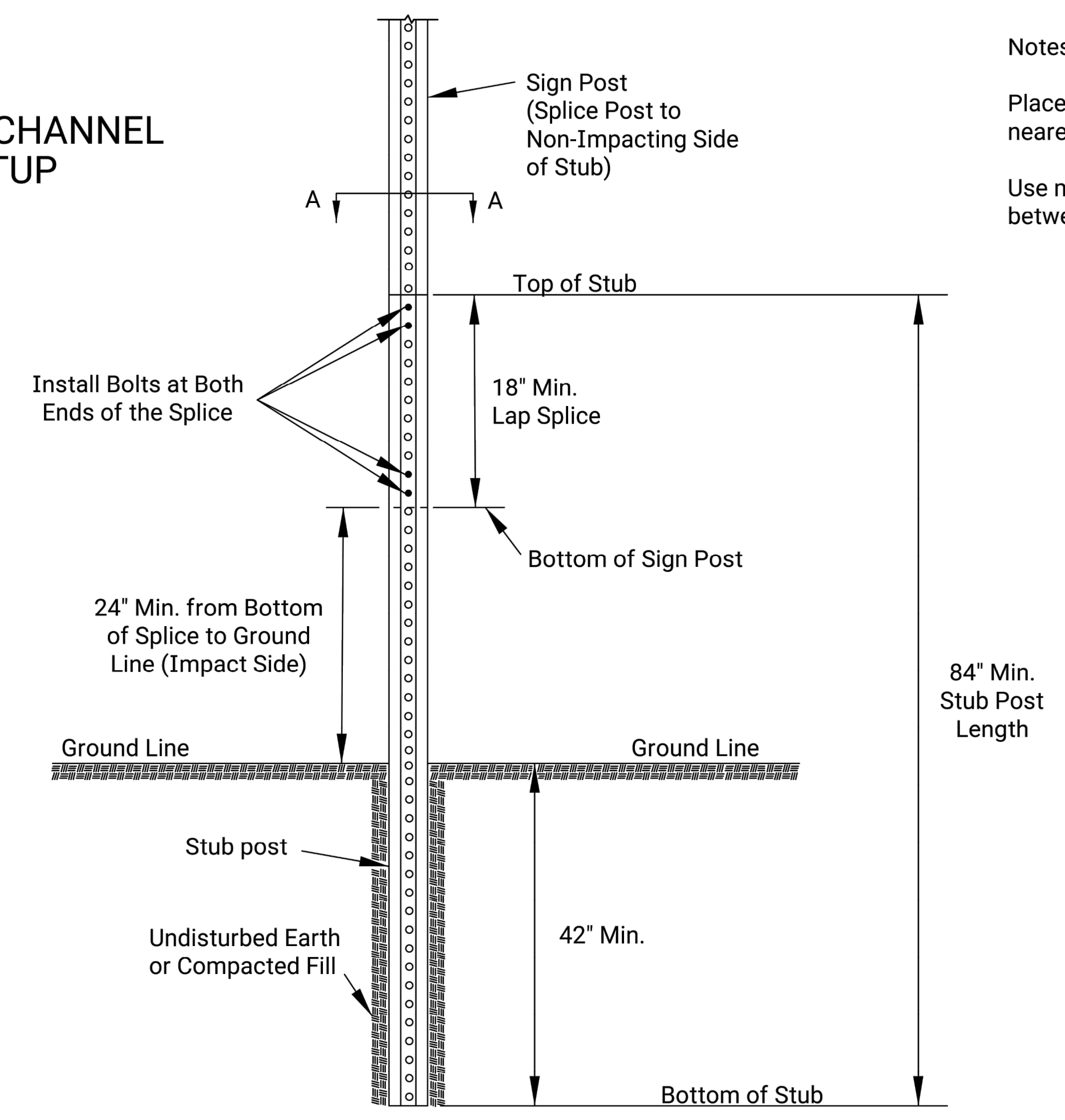
Section B-B



Front Elevation

See TE710 for Additional Details and Requirements

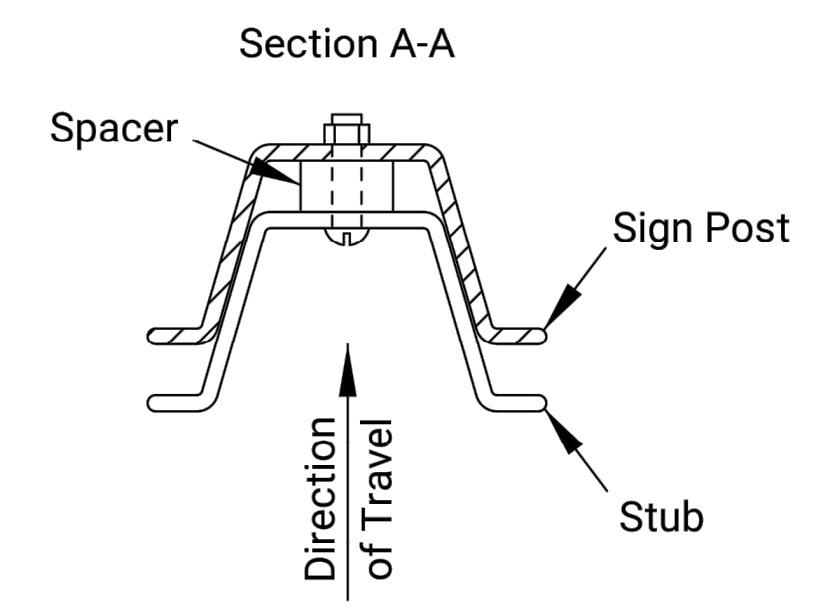
### 3 LB/F U-CHANNEL SETUP



84" Min. Stub Post Length

#### Notes:

- Place two bolts at both ends of the splice through the holes nearest the ends of the splice.
- Use manufacturer recommended spacers over the bolts between the spliced pieces of U-Channel.



Section A-A

3					
2					
1					
NO.	DATE	REVISIONS	BY	APP'D	

**KANSAS DEPARTMENT OF TRANSPORTATION**

**TRAFFIC CONTROL SIGN POSTS**

**TE712**

DESIGNED	B.A.H.	DATE	06/01/15	APP'D	Kristina Pyle
DESIGN CK.		DETAIL CK.		QUAN. CK.	

PLOTTED: Monday, March 21, 2022 @ 02:29PM  
 J:\PROJECTS\2019\1901010483\_COW\_SWANSON PARK BRIDGE REPLACEMENT\_190483\CADD\SHOTS\05 CIVIL\TRAFFIC\190483-05-5763.DWG