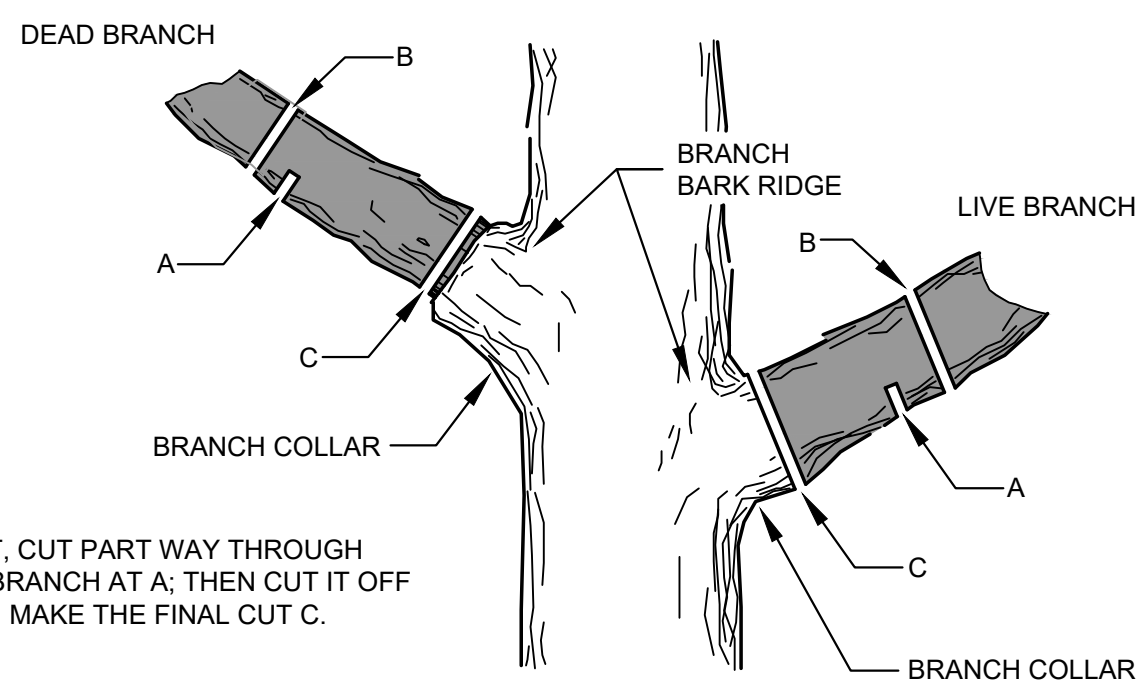
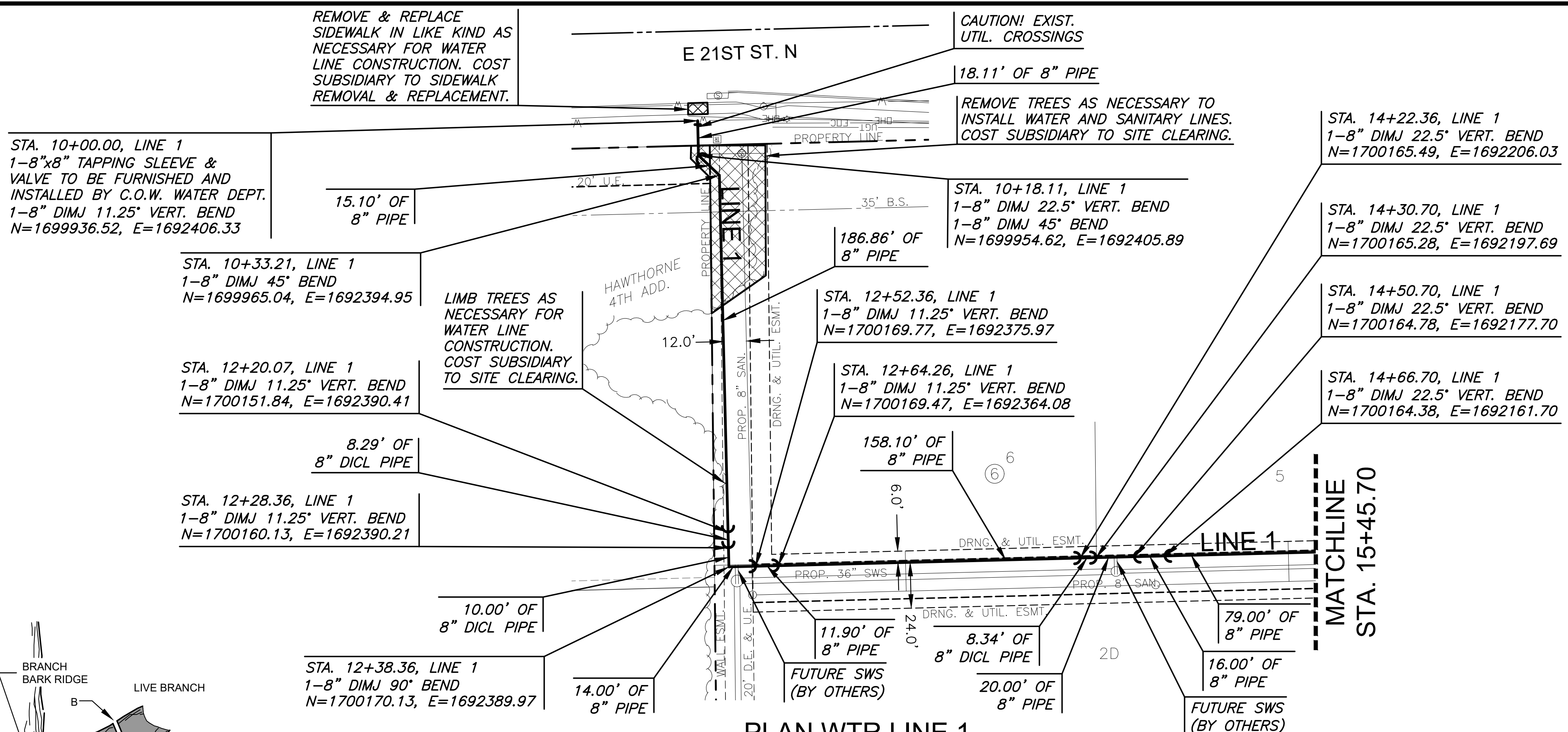


J:\PROJECTS\2022\2201010016_TWENTYFIRST_HAWTHORNE DEVELOPMENT\00_22016 CAD\SHS\05_CIVIL\WTR\22016-05-3200.DWG
 PLOTTED: Friday, April 22, 2022 @ 04:14PM
 MKEC Engineering
 All Rights Reserved
 www.mkec.com
 These drawings and their contents, including, but not limited to, all concepts, designs, & ideas are the exclusive property of MKEC Engineering (MKEC), and may not be used or reproduced in any way without the express consent of MKEC.



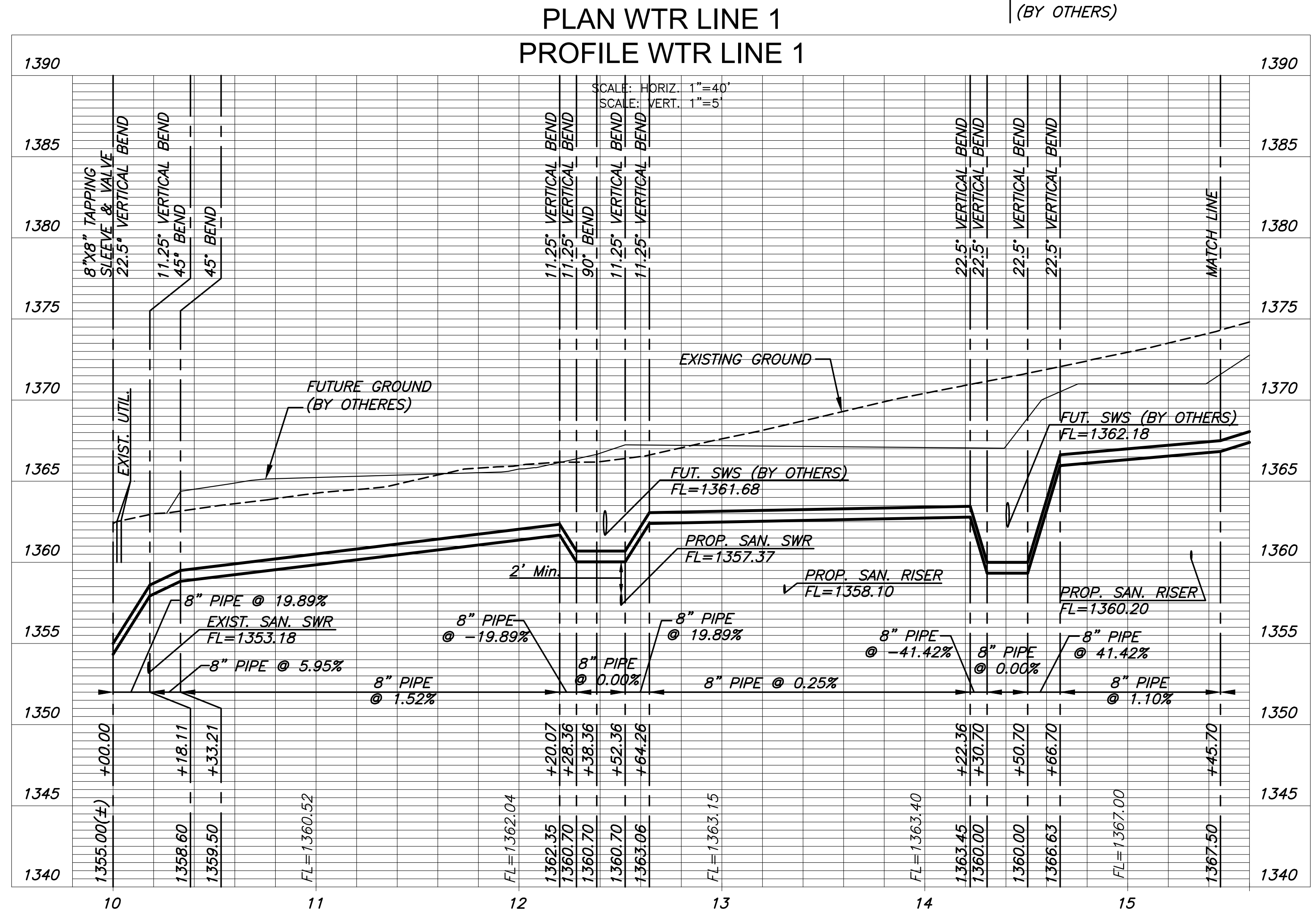
FIRST, CUT PART WAY THROUGH THE BRANCH AT A; THEN CUT IT OFF AT B. MAKE THE FINAL CUT AT C.

1 TREE TRIMMING DETAIL

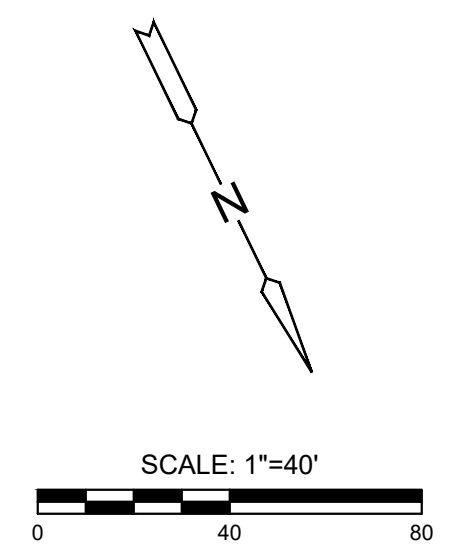
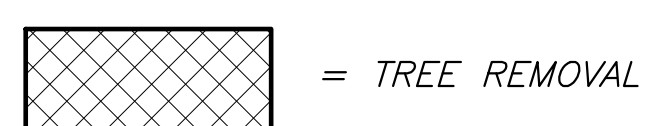
SCALE: NTS

TREE TRIMMING NOTES

1. NOTIFY MKEC PROJECT ENGINEER PRIOR TO COMMENCEMENT OF EASEMENT CLEARING & GRUBBING OPERATIONS. CONTRACTOR SHALL HAVE LIMITS OF REMOVAL DEFINED WITH FLAG & LATH. MKEC PROJECT ENGINEER WILL PROVIDE JUDGEMENT CALLS FOR TREES IN QUESTION. PROVIDE MKEC 24-HOUR NOTICE. TREES MAY BE BURNED ON SITE. REGULATORY & PERMITTING APPROVALS SHALL BE SECURED BY CONTRACTOR.
2. TRIMMING OF BRANCHES SHALL NOT BE DONE WITH A BACKHOE!



NOTE: CONTRACTOR TO VERIFY LOCATION AND ELEVATION OF EXISTING WATER LINE PRIOR TO CONSTRUCTION.



PUBLIC WATER DISTRIBUTION PLANS FOR **HAWTHORNE ADDITION** WICHITA, KANSAS

©2022 MKEC Engineering
 All Rights Reserved
 www.mkec.com
 These drawings and their contents, including, but not limited to, all concepts, designs, & ideas are the exclusive property of MKEC Engineering (MKEC), and may not be used or reproduced in any way without the express consent of MKEC.

LINE 1	
PROJECT NO.	448-2022-006892
DATE	04/25/2022
SCALE	1"=40'
DESIGNED	DRAWN
LM	CJL
CHECKED	SPE
NO.	REVISION
	DATE
SHEET NO.	
04 OF 11	