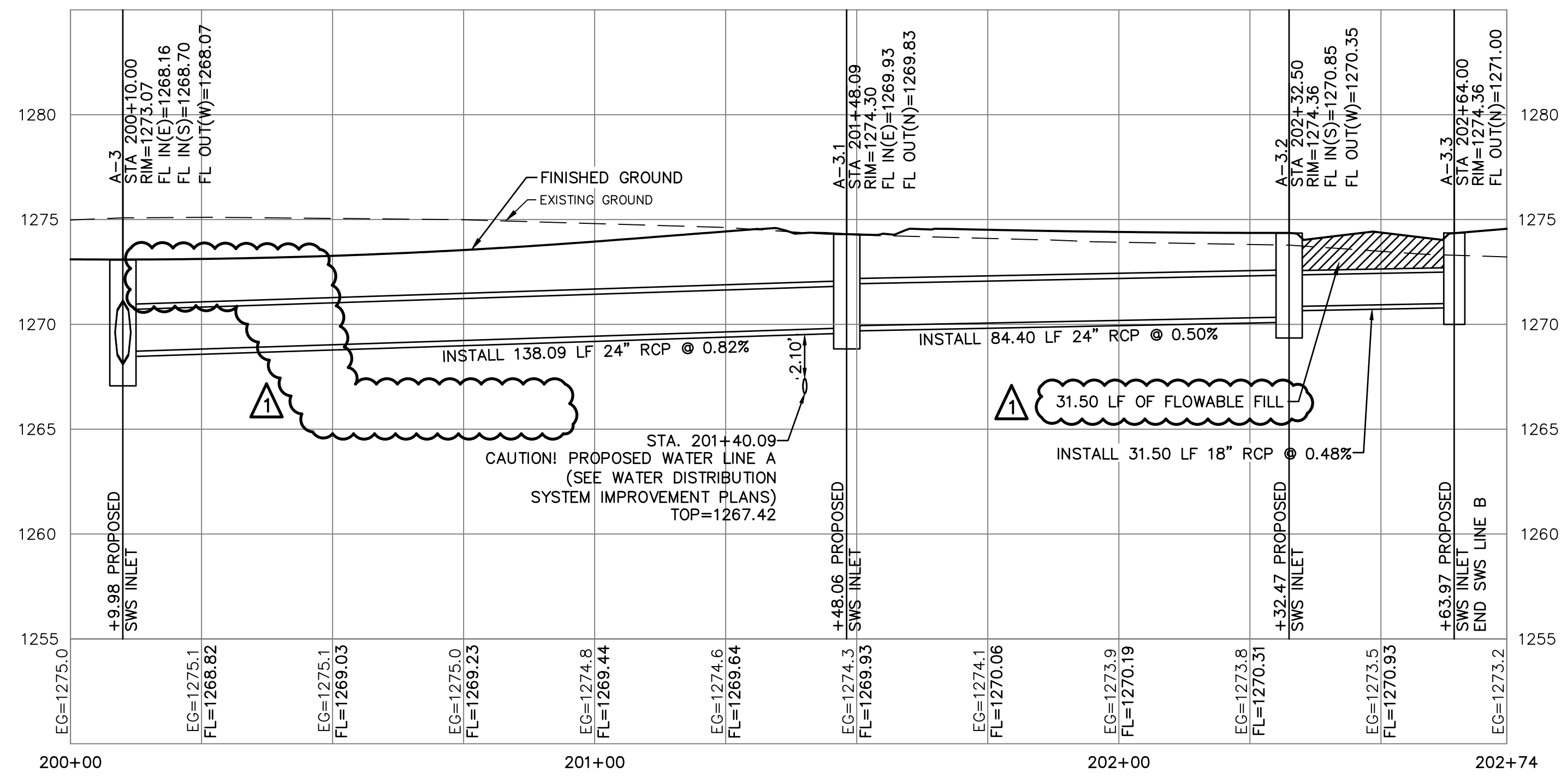
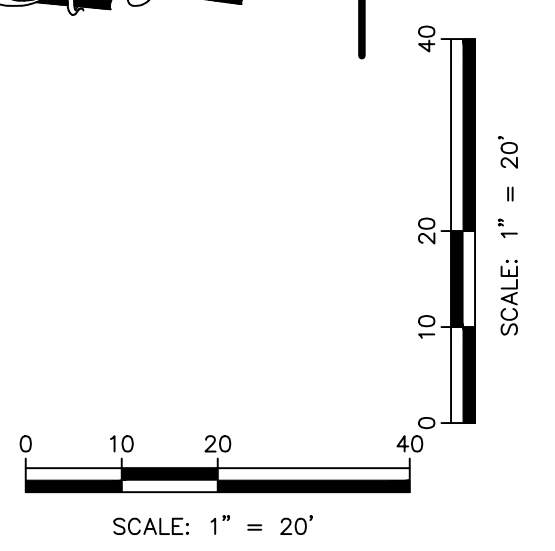
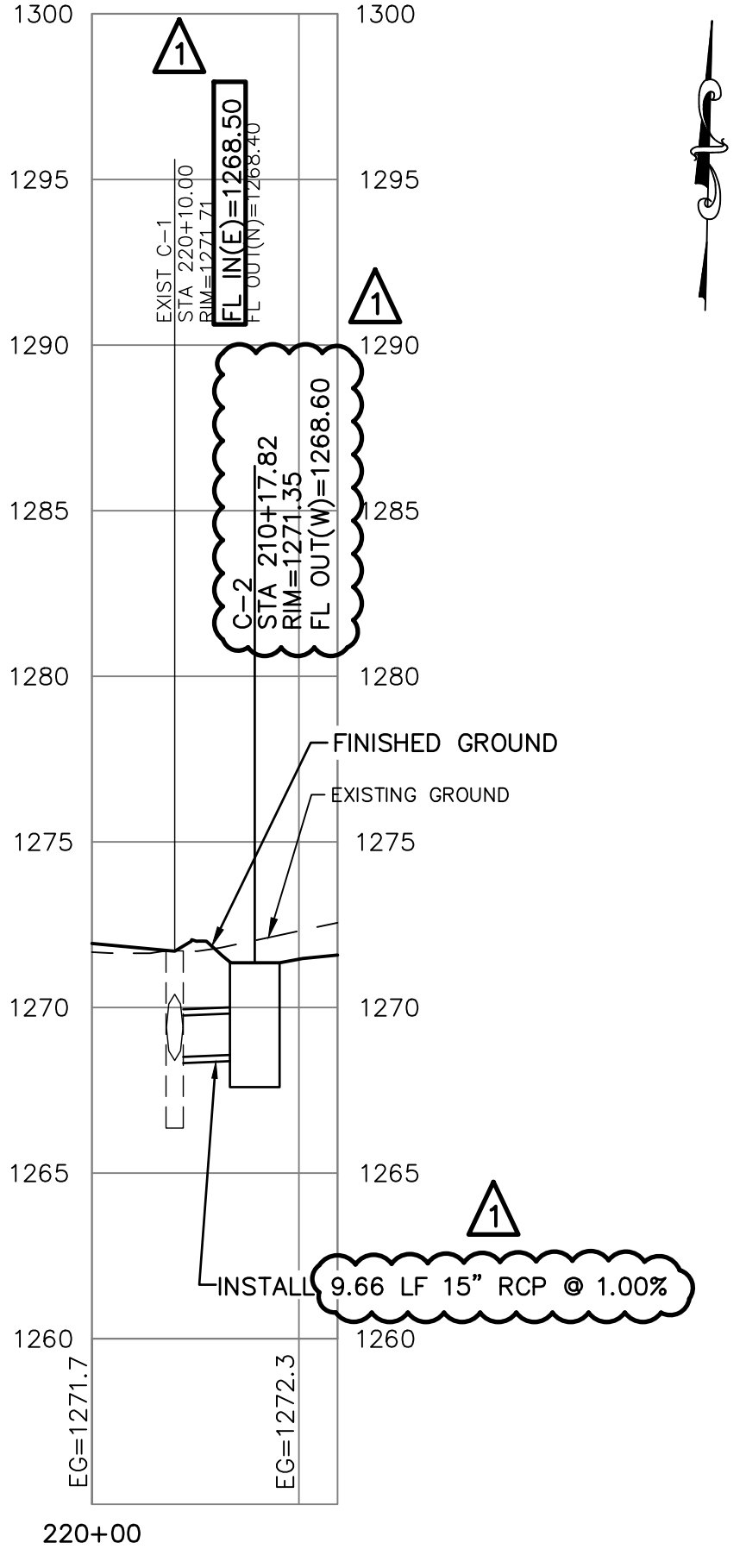


SWS LINE B



SWS LINE C



THIS DRAWING SHALL NOT BE UTILIZED BY ANY PERSON, FIRM, OR CORPORATION IN WHOLE OR IN PART WITHOUT THE SPECIFIC PERMISSION OF KAW VALLEY ENGINEERING, INC.

PROJ. NO.	DESIGNER	CFN	SHEET	REV	DATE	DESCRIPTION
				5	1	
<b>SYCAMORE POND ADDITION</b> <b>W 50TH STREET S &amp; S OSAGE CIRCLE</b> <b>WICHITA, KANSAS</b>				<b>PHASE II - STORM SEWER IMPROVEMENTS</b> <b>STORM SEWER LINE B &amp; C - PLAN &amp; PROFILE</b>		
KAW VALLEY ENGINEERING 200 N. EMPORIA, SUITE 100 WICHITA, KANSAS 67202 PH. (316) 440-4304   FAX (316) 440-4309 www.kaveg.com   www.kveg.com				SHAWN R. BRYAN ENGINEER KS # 17899		
KANSAS PROFESSIONAL ENGINEER LICENSED 28404 6/1/2022				REVISED PER CITY & CLIENT COMMENT INITIAL ISSUE		
				KS	JT	CHK
				SRB	JT	CHK