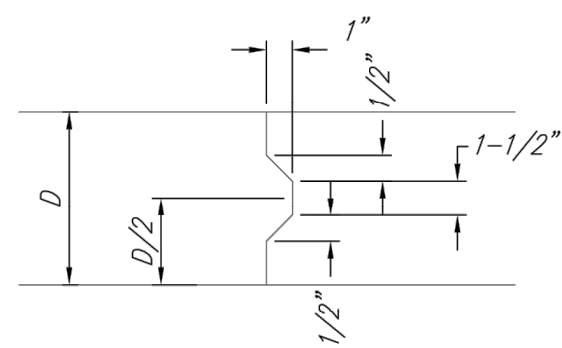
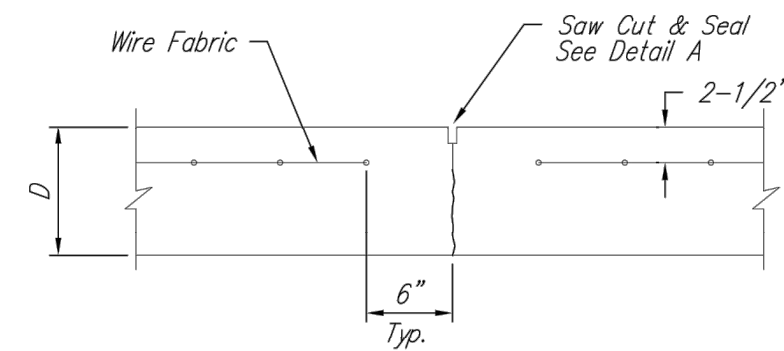


**EXPANSION JOINT**

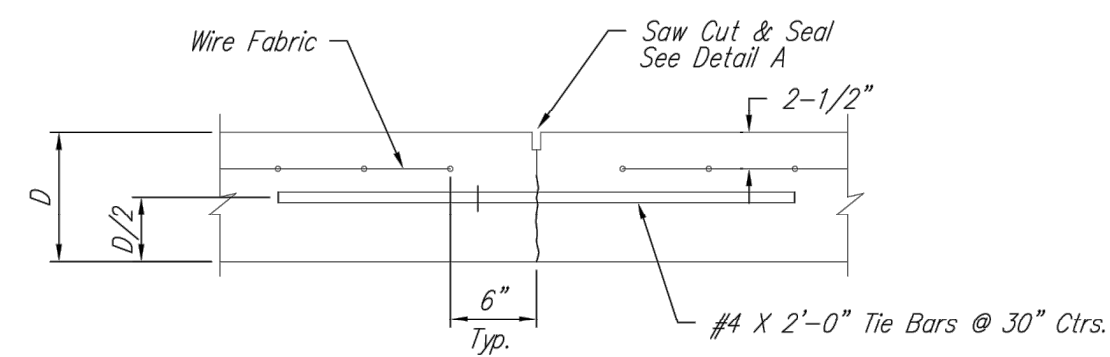
NOTE: Extra Thickness to be Subsidiary to Price of Square Yards Pavement



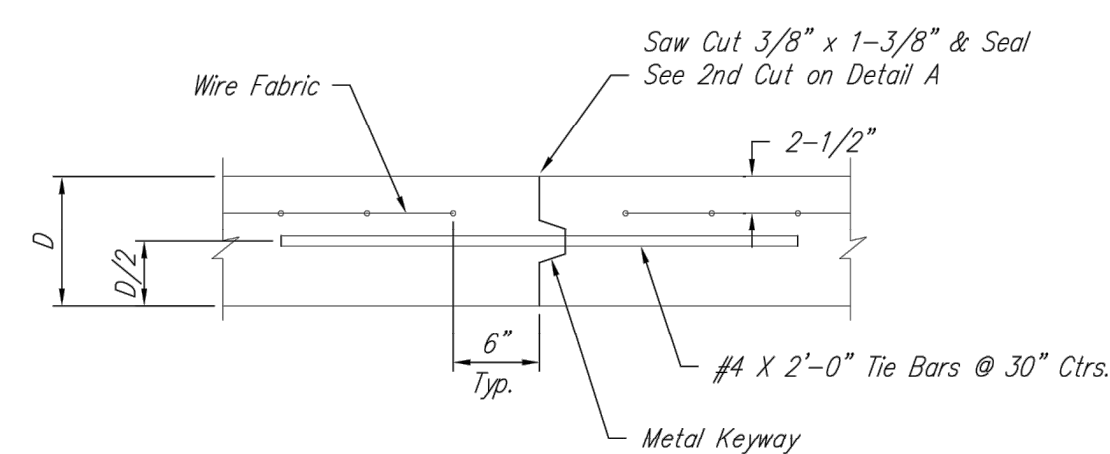
**KEYWAY DETAIL**



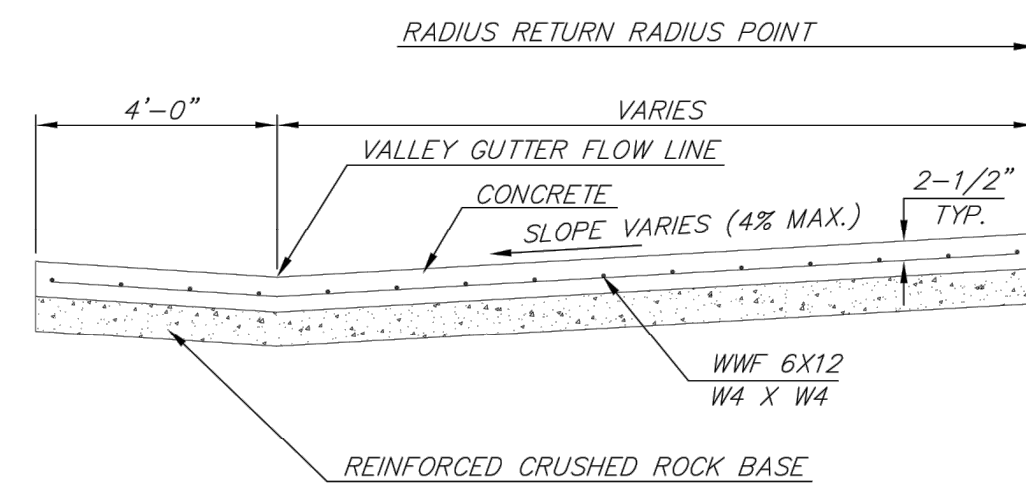
**CONTRACTION JOINT DETAIL (C.J.)**



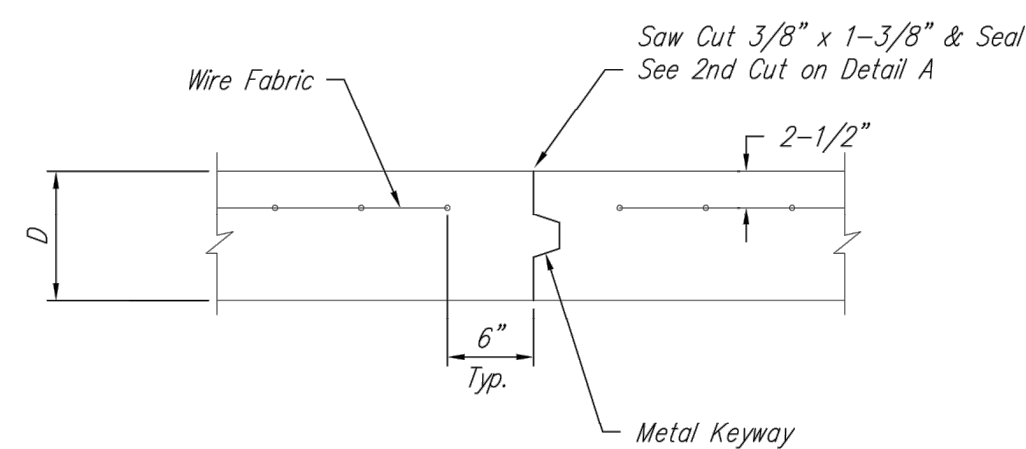
**LONGITUDINAL JOINT DETAIL (L.J.)**



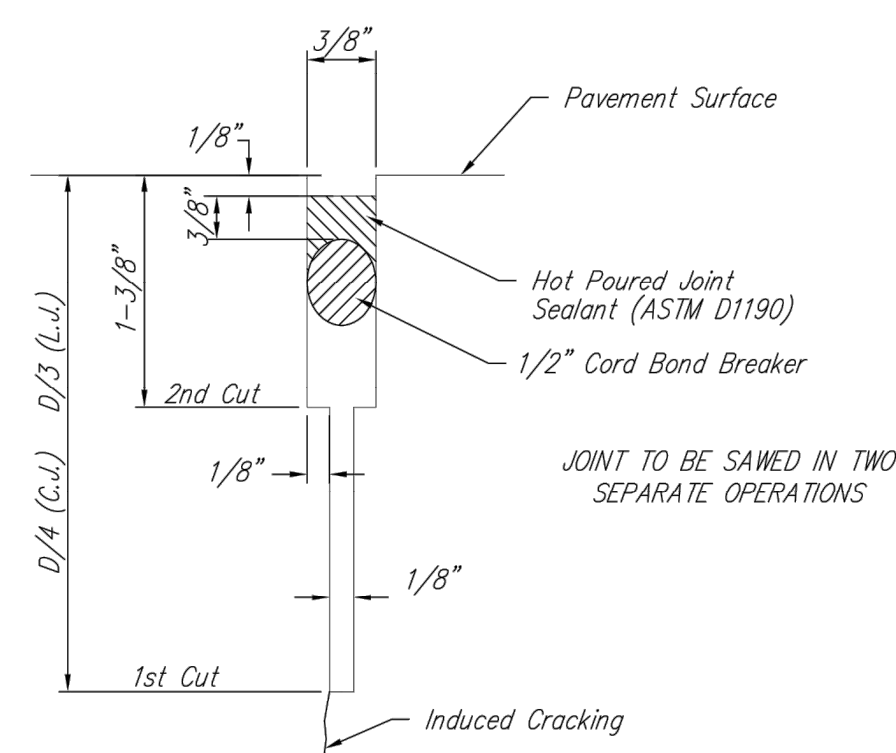
**OPTIONAL LONGITUDINAL JOINT DETAIL (L.J.)**



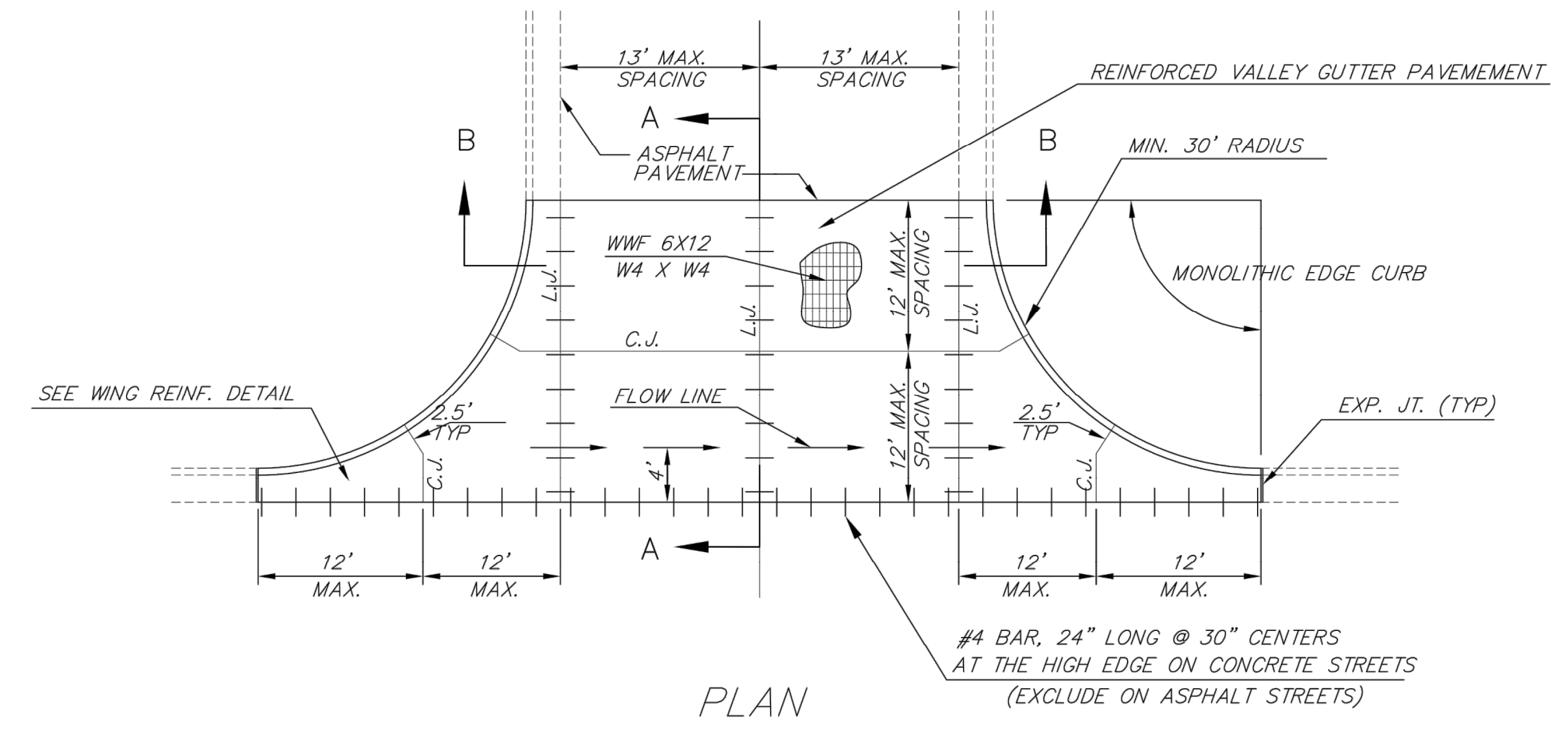
**SECTION A-A**



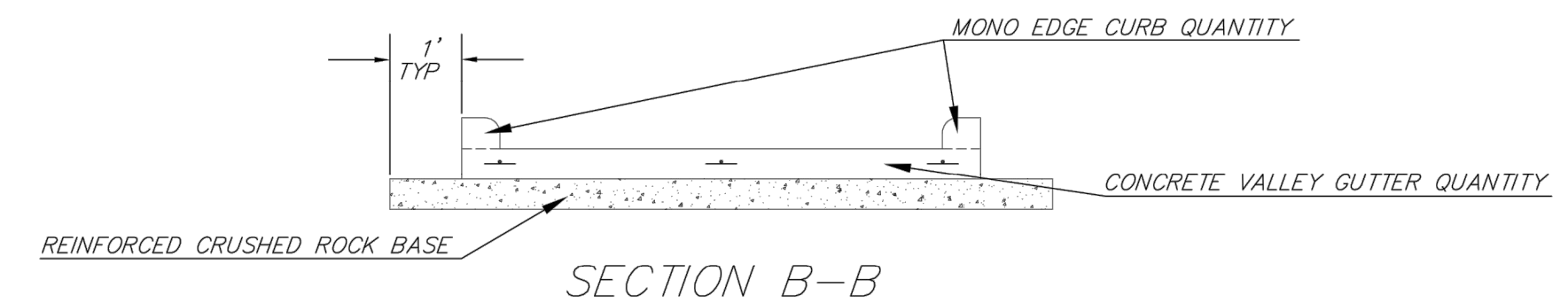
**OPTIONAL CONTRACTION JOINT**



**SAW JOINT DETAIL (DETAIL A)**

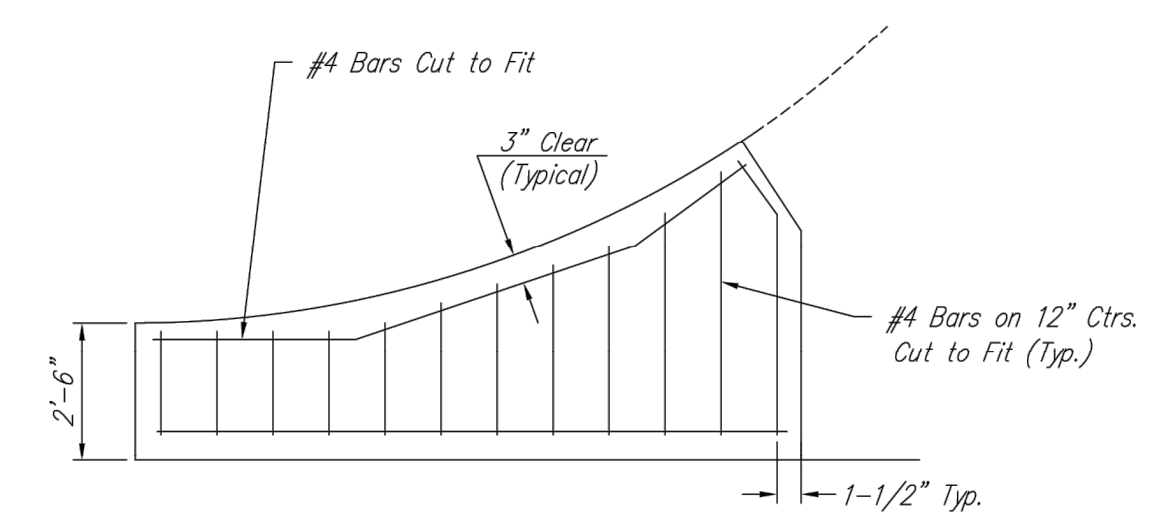


**PLAN**



**SECTION B-B**

**REINFORCED VALLEY GUTTER DETAIL**

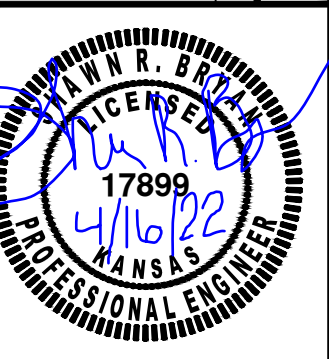


**WING REINFORCING DETAIL**

REVISION MAY 2017		SECTION B-B, ROCK EXTENDED ONE FOOT BEYOND PAVEMENT	
<b>CITY OF WICHITA</b>			
<b>VALLEY GUTTER DETAILS</b>			
CITY ENGINEER <b>GARY JANZEN, P.E.</b>			
PROJECT NUMBER	OCA NUMBER	DATE	
CITY ENGINEER'S OFFICE CITY HALL - SEVENTH FLOOR 455 NORTH MAIN STREET WICHITA, KANSAS 67202-1620 (316) 268-4501	SHEET		

KS	CHK
JT	DWN
SRB	DSN

4-15-22	REV DATE
INITIAL ISSUE	DESCRIPTION



SHAWN R. BRYAN  
ENGINEER  
KS # 17899

200 N. EMPORIA, SUITE 100  
WICHITA, KANSAS 67202  
PH. (316) 440-4304 | FAX. (316) 440-4309  
www.kveeng.com | www.kveing.com

**KAW VALLEY ENGINEERING**  
KAW VALLEY ENGINEERING, INC., IS AUTHORIZED TO OFFER ENGINEERING SERVICES BY KANSAS STATE CERTIFICATE OF AUTHORIZATION # E-113. EXPIRES 12/31/22

**SYCAMORE POND ADDITION**  
W 50TH STREET S & S OSAGE CIRCLE  
WICHITA, KANSAS

**PHASE II - PAVEMENT IMPROVEMENT PLANS**  
DETAIL SHEET

PROJ. NO.	G19-1259-1
DESIGNER	TRA
DRAWN BY	JT
CFN	1259-1P_DET
SHEET	REV
4	0