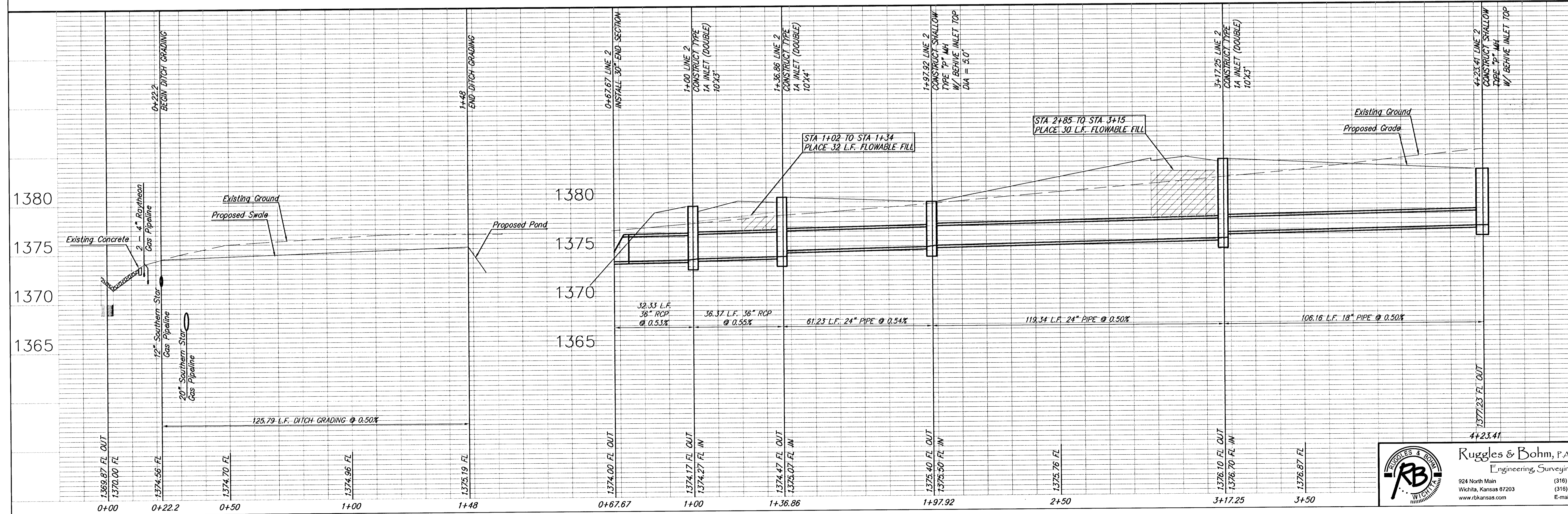
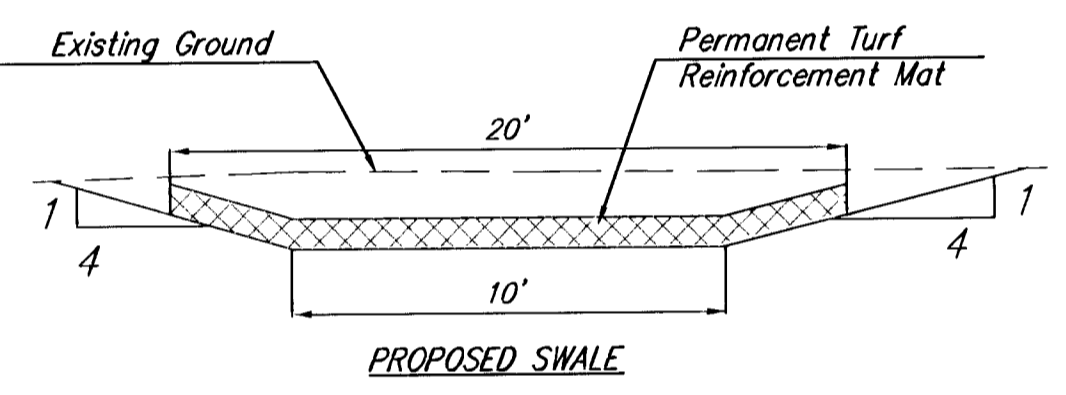
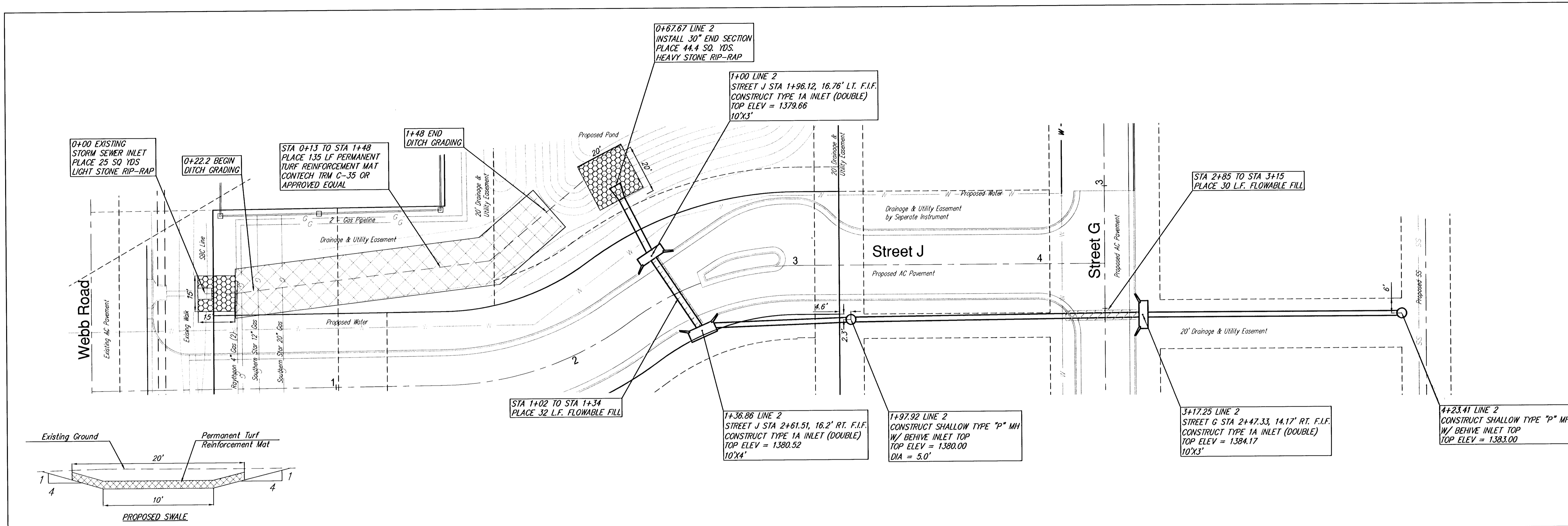


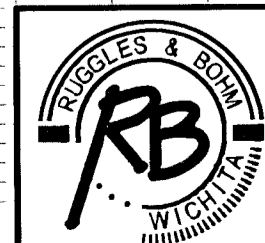


SCALE 1" = 20'
IRON = •



PROJECT NUMBER	STORM SEWER (SWS) LINE 1 & 2
DESIGN EJC	UTILITY
DATE	Sept. 14, 2005
REVISION	REVIEW
DRAWN EJC	

MAPLE SHADE ADDITION
STORM SEWER
WICHITA, KANSAS



Ruggles & Bohm, P.A.
Engineering, Surveying, Land and Planning
924 North Main
Wichita, Kansas 67203
(316) 264-8008
(316) 264-4621 fax
www.rbkansas.com E-mail: info@rbkansas.com

RB JOB SHEET
2401E
5
10