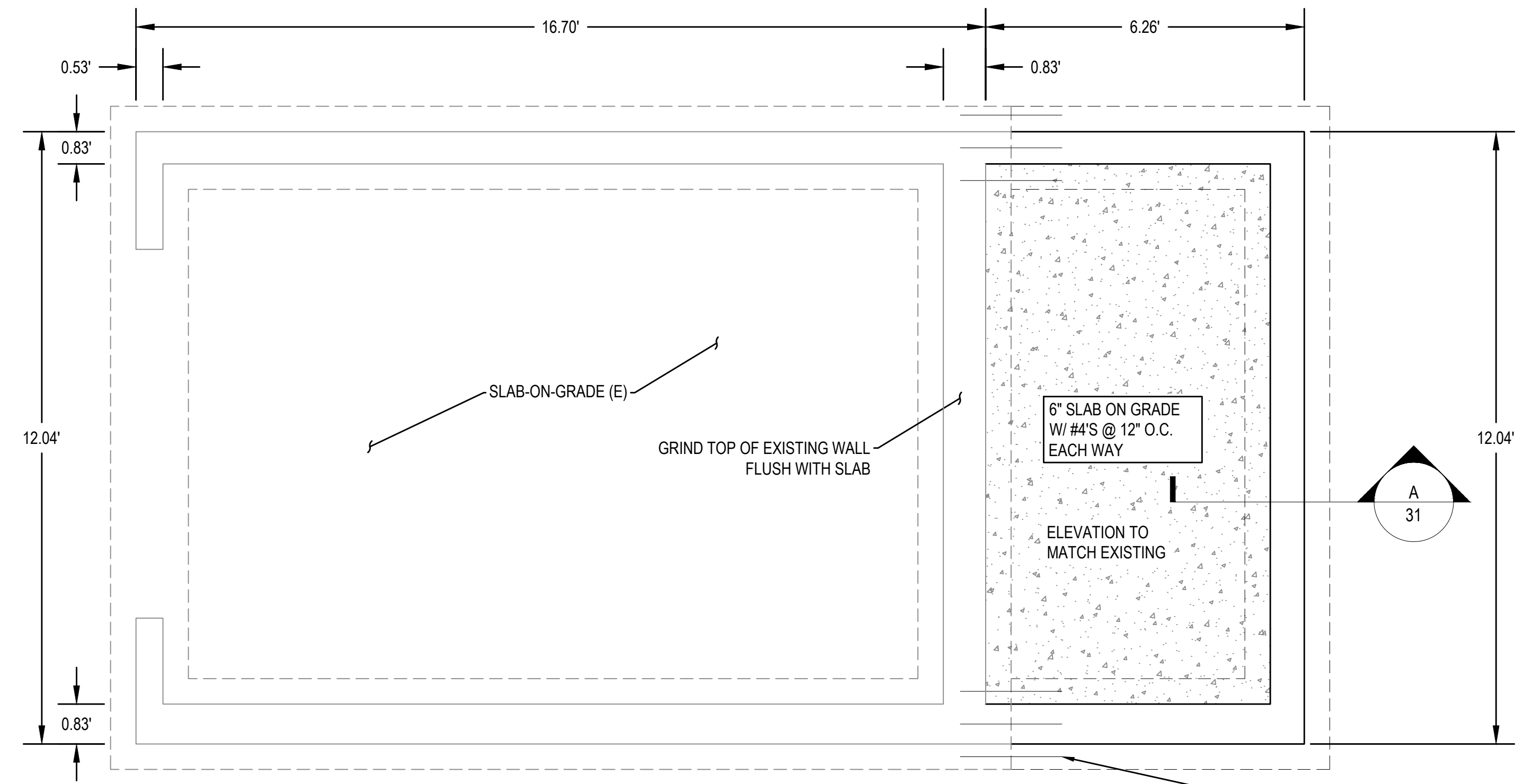


D1
31
1" = 1'-0"

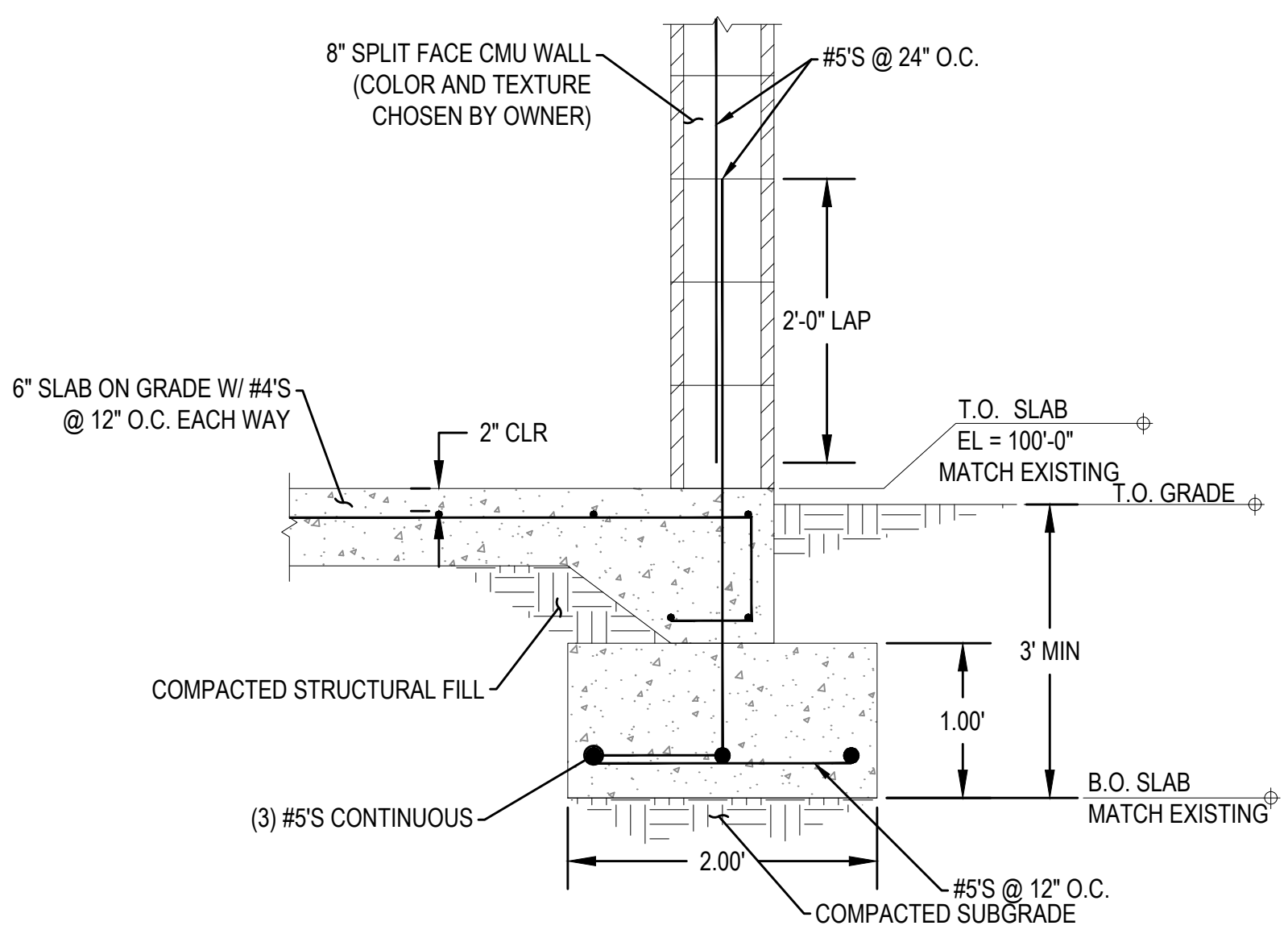
STRUCTURAL DEMOLITION PLAN



D2
31
1" = 1'-0"

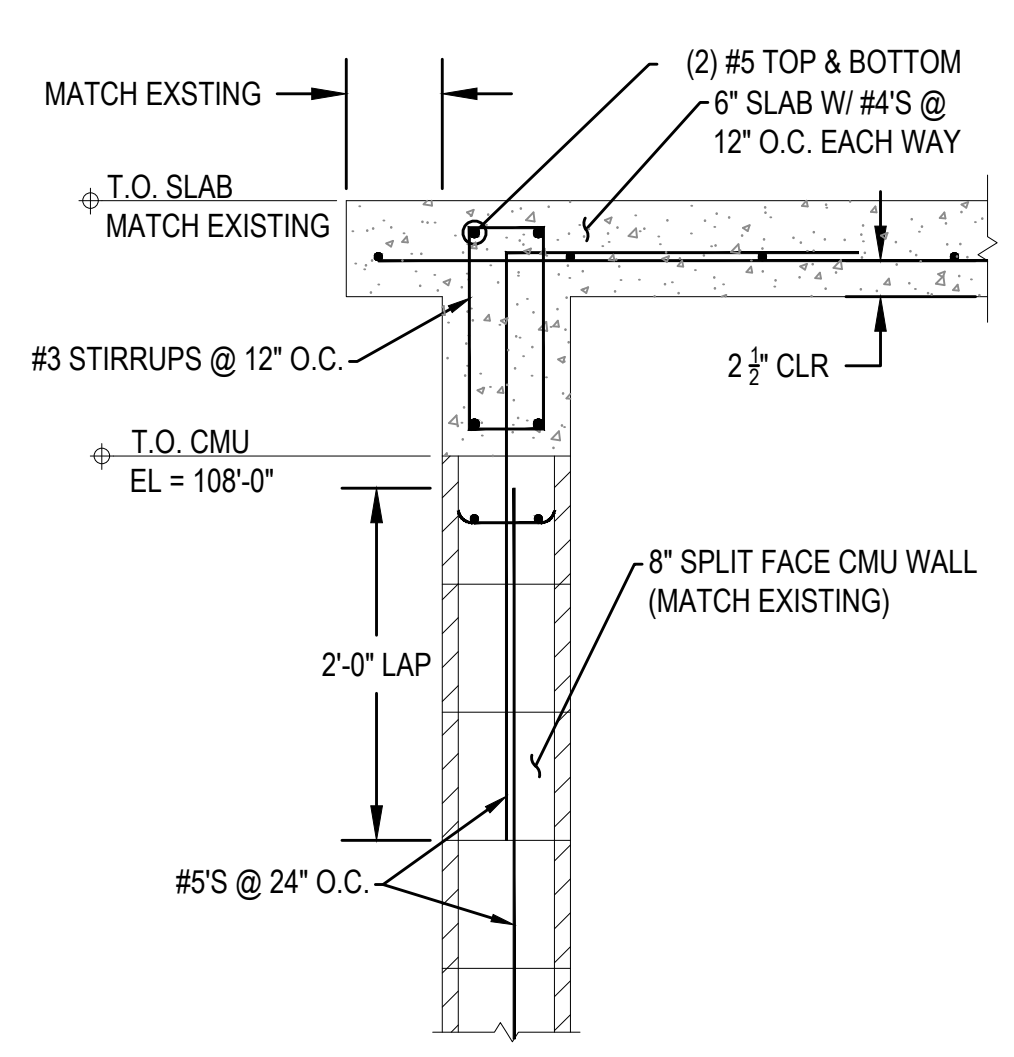
FOUNDATION PLAN

PROVIDE (3) #5 DOWELS @ 2'-0" LONG. DRILL AND EPOXY INTO EXISTING FOOTING WITH 1'-0" EMBED DEPTH, TYP



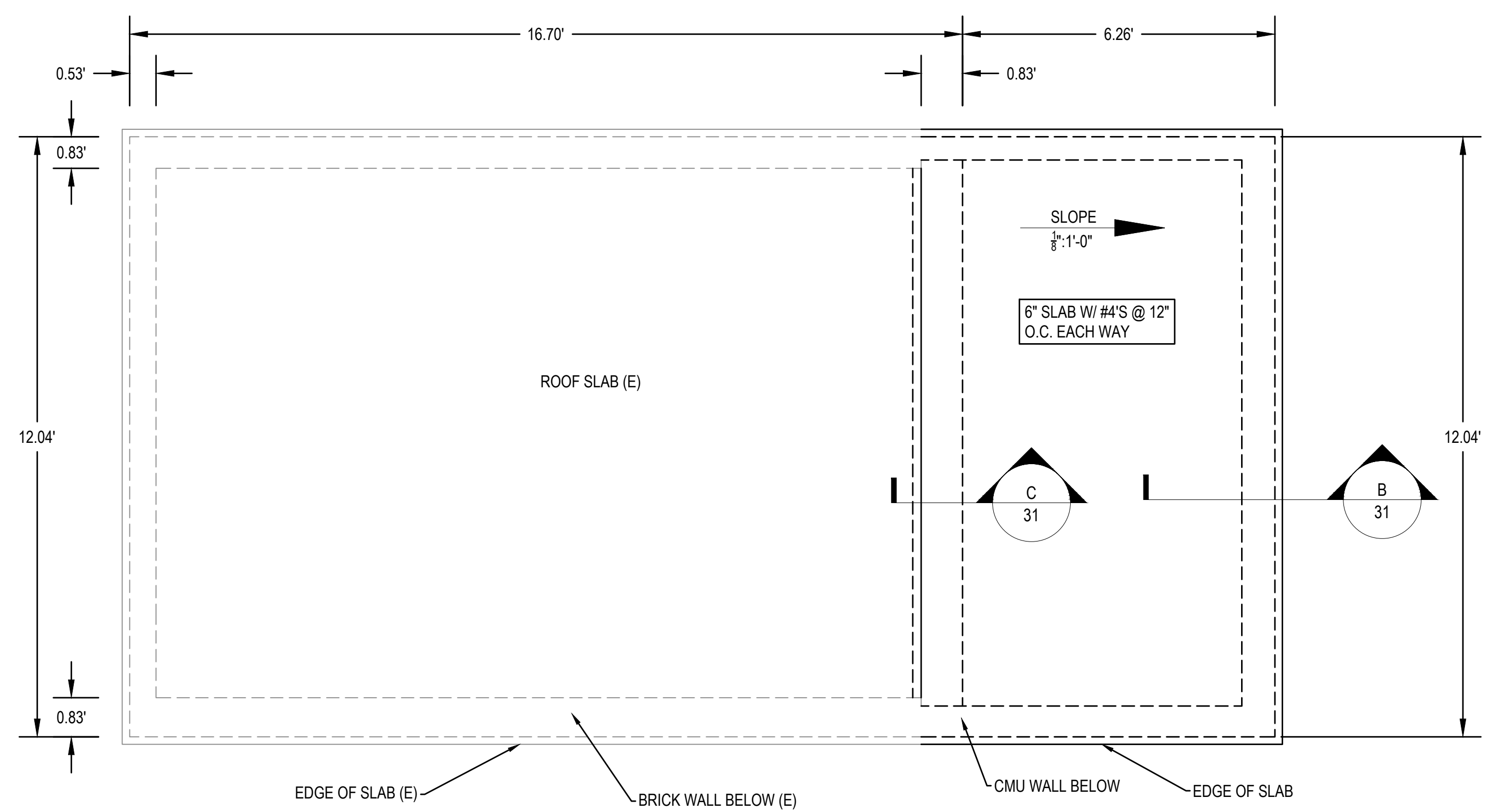
A
31
1" = 1'-0"

FOUNDATION DETAIL



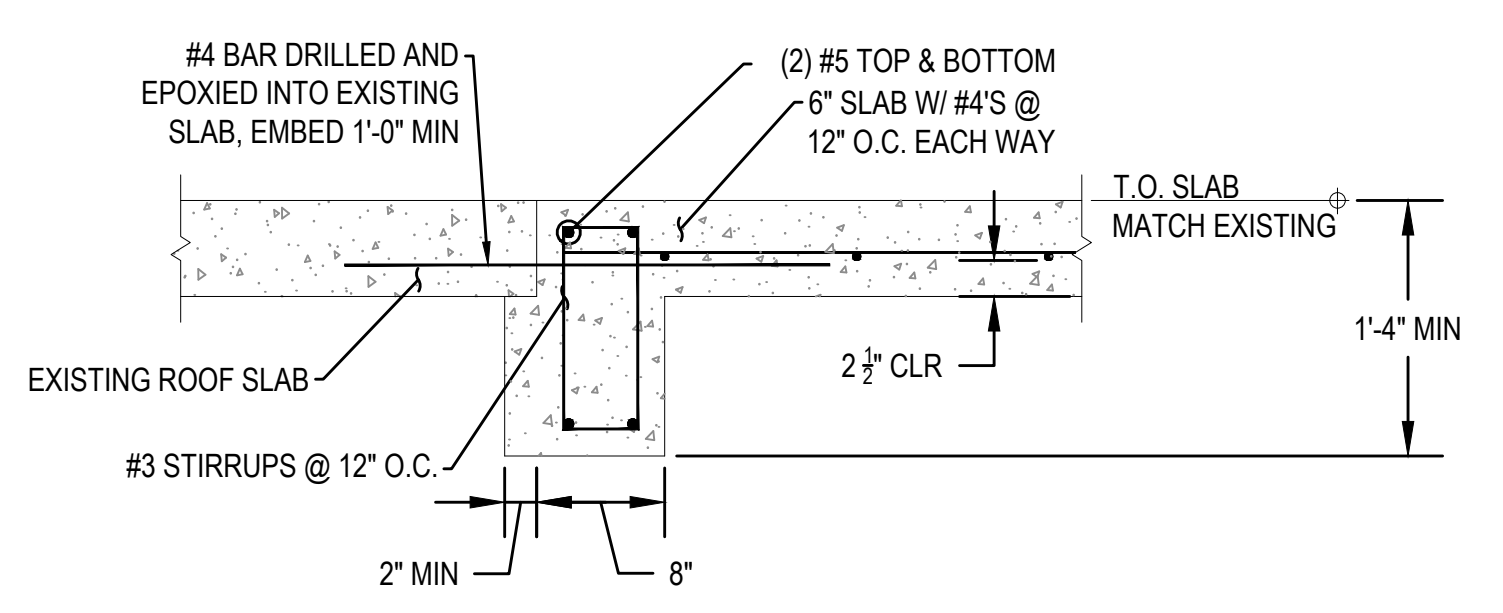
B
31
1" = 1'-0"

WALL TO ROOF DETAIL



D3
31
1" = 1'-0"

ROOF PLAN



C
31
1" = 1'-0"

NEW TO EXISTING ROOF DETAIL

REVISIONS:

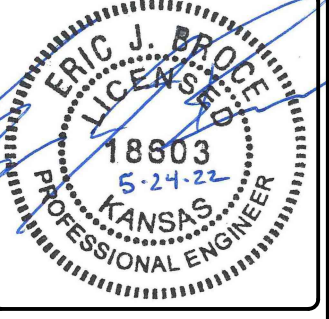
Environment & Infrastructure Solutions, Inc.
245 N. WACO AVENUE, SUITE 110
WICHITA, KANSAS 67202
PHONE: 316-448-2711
FAX: 316-448-2711

wood.

WELLHOUSE STR-002

EQUUS WELLFIELD SPURLINE REPLACEMENT
GARY JANZEN, P.E. - CITY ENGINEER
CITY OF WICHITA

DESIGNED BY: JW
DRAWN BY: JW
CHECKED BY: ---
DATE: MAY 24, 2022



PROJECT NO.
639020

SHEET NO.
29
OF 35

Last saved by: alex.mckean Plotted By: Mckean, Alex Plot Date/Time: 5/24/2022 1:41 PM File: L:\8275000373_Wichita_Spurline\05_CAD\Sheets\Wellhouse_Replacements\Wellhouse-Structural-D1_2.dwg