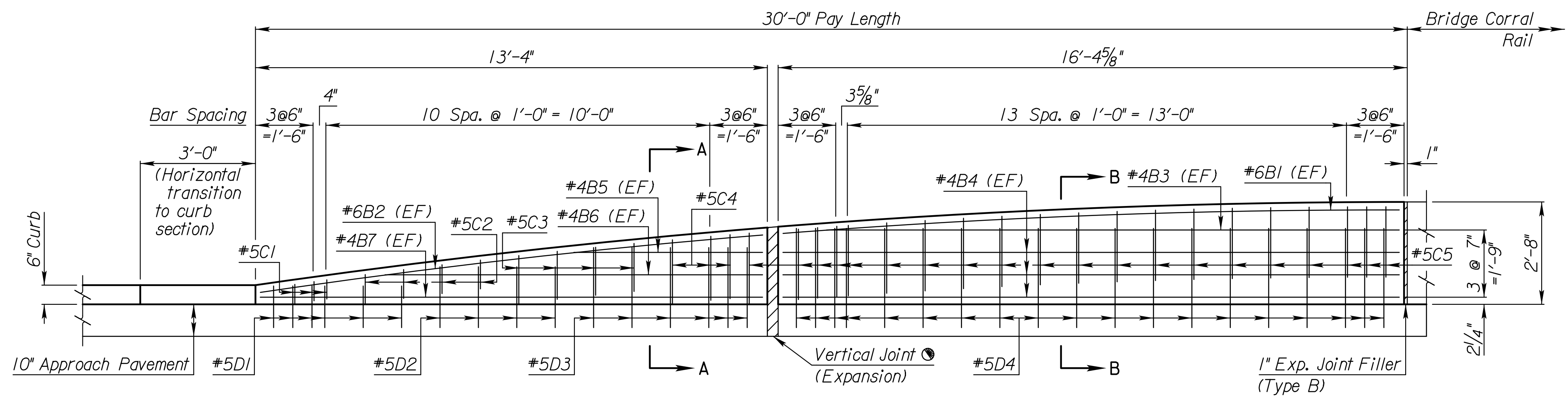


ELEVATION - A
South Abut. Lt. Barrier & North Abut. Rt. Barrier

NOTE: Provide a vertical joint in the barrier transition to match the location of joint in the concrete approach pavement. Cut longitudinal reinforcing bars to provide 2" cover to edge of concrete.



ELEVATION - B
South Abut. Rt. Barrier & North Abut. Lt. Barrier

BILL OF MATERIALS*

TRANSITION - A
SOUTH ABUTMENT LEFT BARRIER
AND
NORTH ABUTMENT RIGHT BARRIER

CONCRETE SAFETY BARRIER (SPECIAL)	30.0 Lin. Ft.
† CONCRETE (GR. 4.0) (AE)	2.2 Cu. Yds.
† REINF. STEEL (Gr. 60) (EPOXY COATED)	625 Lbs.

Straight Bars				Bent Bars			
Mark	Size	Number	Length	Mark	Size	Number	Length
A1	#6	2	19'-1"	C1	#5	3	1'-7"
A2	#6	2	10'-2"	C2	#5	4	2'-1"
				C3	#5	5	4'-7"
A3	#4	2	14'-11"	C4	#5	5	5'-5"
A4	#4	6	19'-1"	C5	#5	17	5'-9"
A5	#4	2	1'-11"				
A6	#4	2	6'-10"	D1	#5	6	4'-9"
A7	#4	2	10'-1"	D2	#5	4	5'-9"
				D3	#5	8	6'-9"
				D4	#5	17	7'-9"

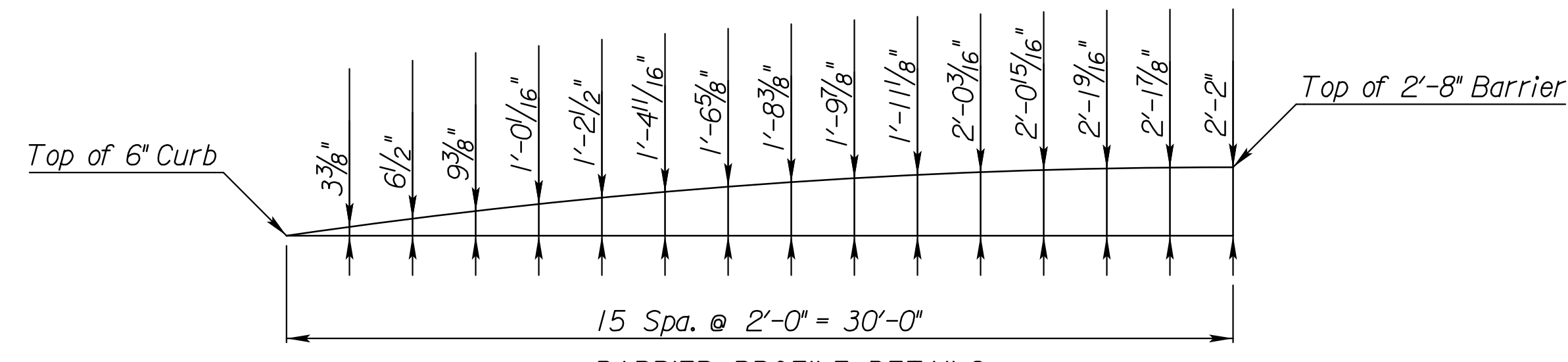
† Reinforcing and Concrete quantities for information only.
* Listed for One. Two Required.

BILL OF MATERIALS*

TRANSITION - B
SOUTH ABUTMENT RIGHT BARRIER
AND
NORTH ABUTMENT LEFT BARRIER

CONCRETE SAFETY BARRIER (SPECIAL)	30.0 Lin. Ft.
† CONCRETE (GR. 4.0) (AE)	2.1 Cu. Yds.
† REINF. STEEL (Gr. 60) (EPOXY COATED)	642 Lbs.

Straight Bars				Bent Bars			
Mark	Size	Number	Length	Mark	Size	Number	Length
B1	#6	2	16'-1"	C1	#5	3	1'-7"
B2	#6	2	13'-2"	C2	#5	4	2'-1"
				C3	#5	4	4'-7"
B3	#4	2	14'-11"	C4	#5	3	5'-5"
B4	#4	6	16'-1"	C5	#5	20	5'-9"
B5	#4	2	4'-11"				
B6	#4	2	19'-10"	D1	#5	6	4'-9"
B7	#4	2	13'-1"	D2	#5	4	5'-9"
				D3	#5	6	6'-9"
				D4	#5	19	7'-9"



BARRIER PROFILE DETAILS
RADIUS = 208.77'

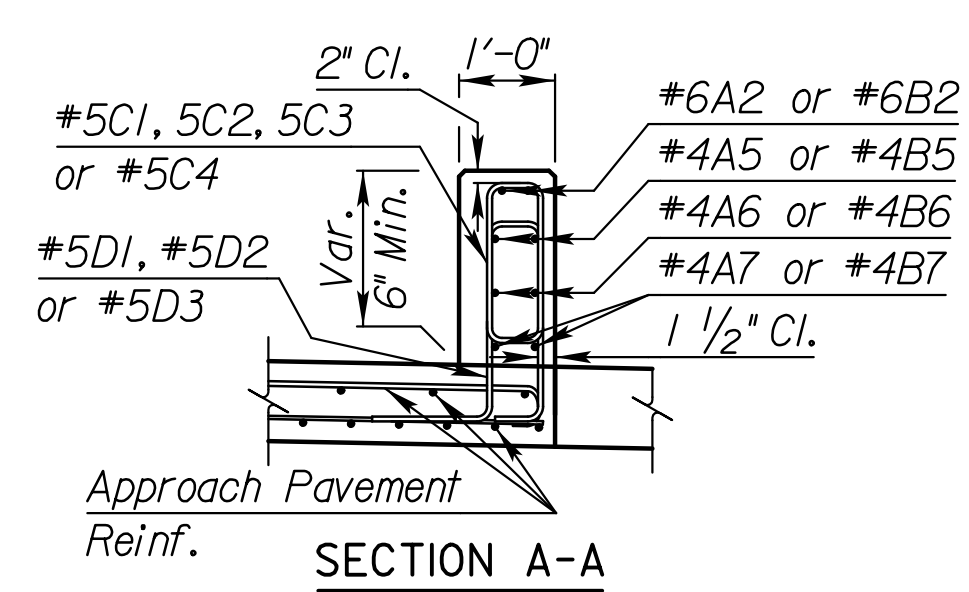
NOTES: The concrete safety barrier transition shall be bid on a linear foot basis. All labor, materials, and incidentals required to complete the work shall be included in the bid item "Concrete Safety Barrier" for payment.

Minimum cover to reinforcing steel shall be 2" unless noted otherwise.

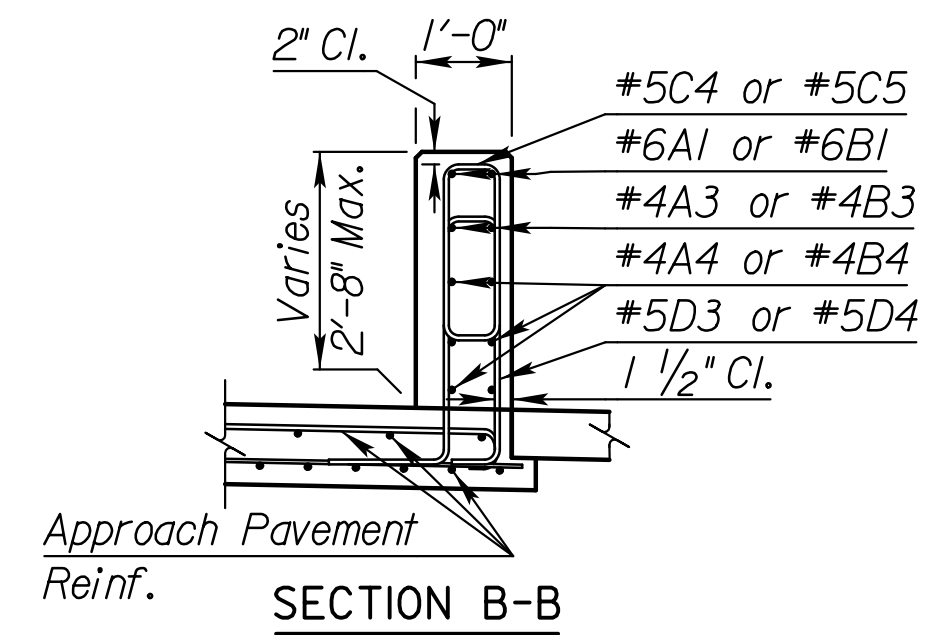
All concrete shall be Grade 4.0 (AE).

All reinforcing steel shall be deformed bars that conform to ASTM A615, Grade 60 (Epoxy Coated).

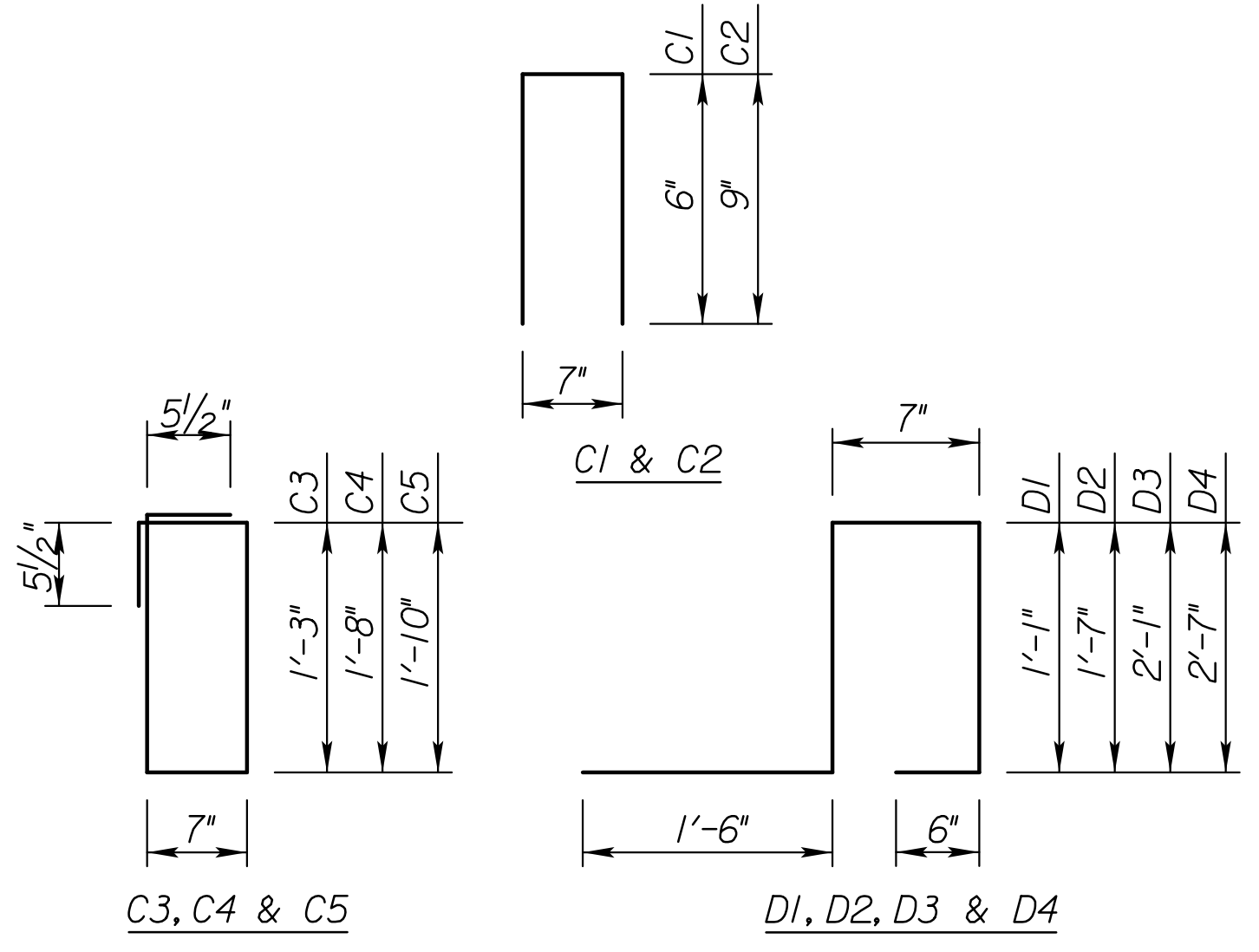
Edges along the top of barrier transition shall be finished with a 3/4" chamfer.



SECTION A-A



SECTION B-B



BAR BENDING DIAGRAMS

LEGEND
EF = Each Face

CONSULTANTS:

AMIDON AVE. BRIDGE
AT ARKANSAS RIVER

WICHITA, KANSAS
CITY OF
WICHITA

REVISIONS:	MARK	DATE	DESCRIPTION

PROJ NO: E1010-4025062
SCALE:
DATE: 07/08/2022
DESIGNED BY: JBM
DRAWN BY: JBM
CHECKED BY: WBS

SHEET TITLE:
CONCRETE SAFETY BARRIER
TRANSITION

SHEET NO.
24
SHEET 24 OF 128