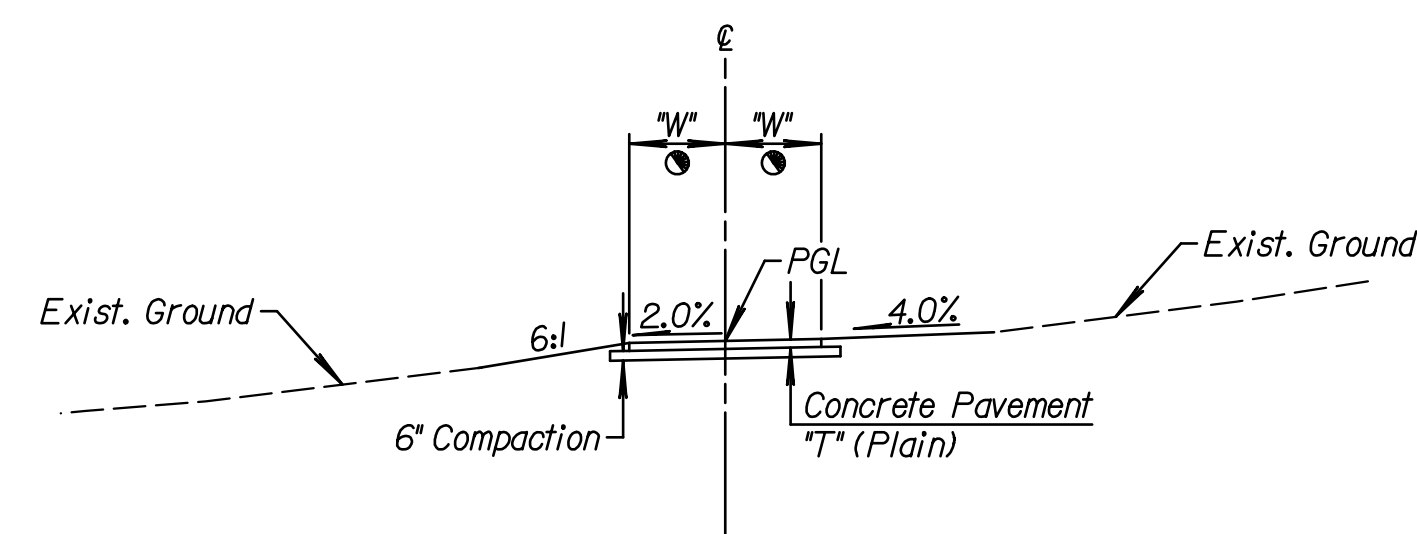


TYPICAL SECTION - AMIDON AVENUE

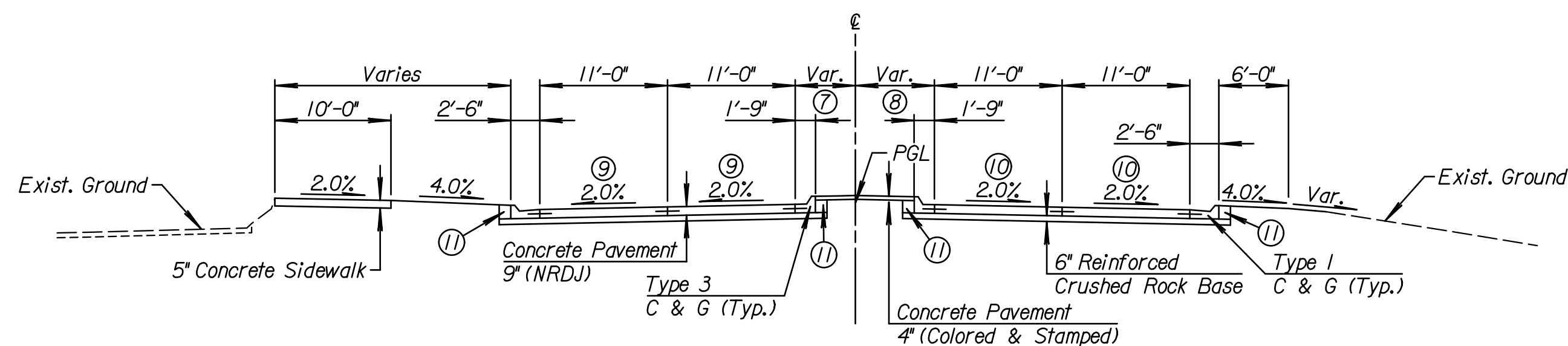
Sta. 26+75.00 to Sta. 27+60.60
Sta. 33+16.40 to Sta. 34+20.00



TYPICAL SECTION - SIDEWALK

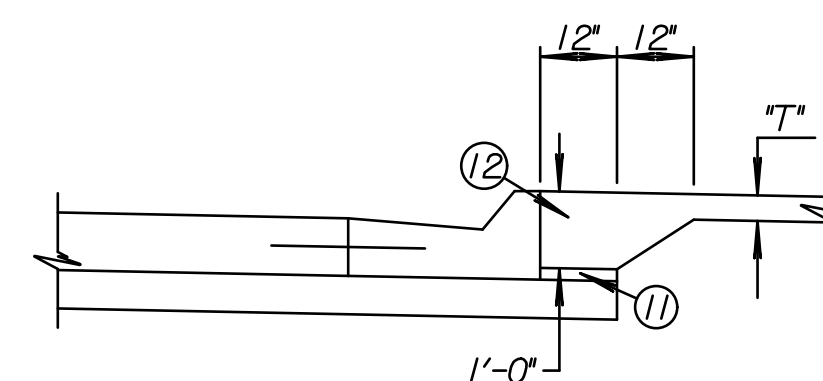
West Sidewalk #1 - Sta. 10+00.00 to Sta. 12+20.00
East Sidewalk - Sta. 20+00.00 to Sta. 23+18.80
West Sidewalk #2 - Sta. 30+00.00 to Sta. 31+00.00
Riverbank Sidewalk - Sta. 40+00.00 to Sta. 43+41.55

LOCATION	"W"	"T"
West Sidewalk #1	5'-0"	5"
East Sidewalk	3'-0"	4"
West Sidewalk #2	5'-0"	5"
Riverbank Sidewalk	5'-0"	5"



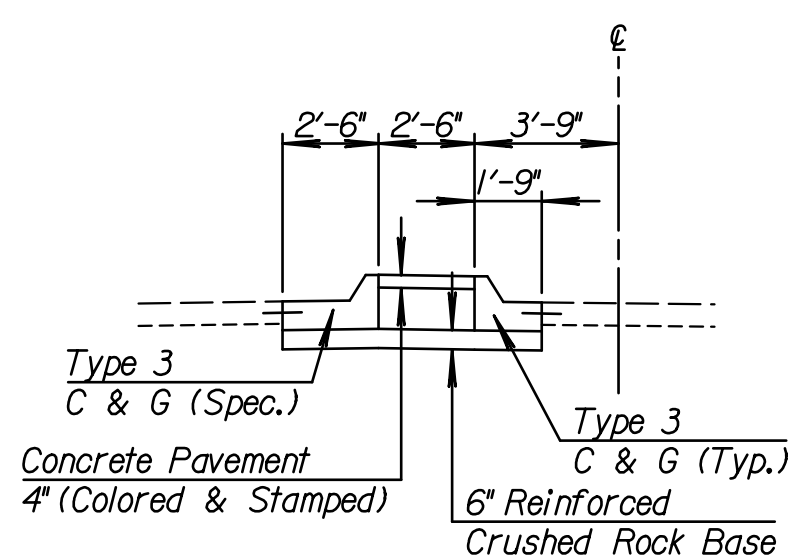
TYPICAL SECTION - AMIDON AVENUE

Sta. 34+20.00 to Sta. 36+30.00



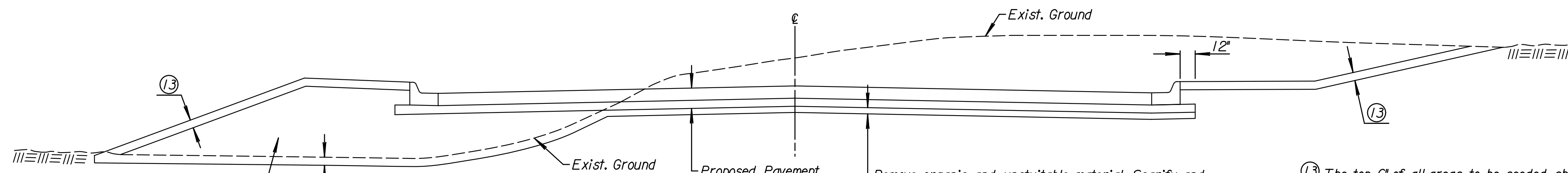
THICKENED SIDEWALK EDGE DETAIL

(Required when Sidewalk abuts Curb)



TYPICAL SECTION - AMIDON AVENUE

Sta. 36+30.00 to Sta. 37+30.00



Compact Embankment to 95% of Standard Density

IN FILL

Remove organic and unsuitable material. Scarify and moisture condition to a depth of 6". Compact to 95% of Standard Density according to Section 401 of the Specifications. (Subsidiary)

IN CUT

Note: All embankment, including side roads and driveways shall be compacted.

Remove organic and unsuitable material. Scarify and moisture condition to a depth of 6" below subgrade line. Compact to 95% of Standard Density according to Section 401 of the Specifications.

IN CUT

13 The top 6" of all areas to be seeded shall be topsoiled with material suitable for growth of vegetation. Thru cuts, over excavate 6" for placement of topsoil. This work shall be Subsidiary to other earthwork items. In fill, the top 6" of embankment shall be topsoil. Quantities for this work are included in the contract bid items for earthwork. No measurement or payment will be made for material required to replace material excavated during stripping operations.

- 1 Varies from 11'-0" at Sta. 26+75 to 12'-0" at Sta. 27+25. Varies from 12'-0" at Sta. 33+61.67 to 11'-0" at Sta. 33+88.33.
- 2 Varies from 11'-0" at Sta. 33+61.67 to 13'-2 1/4" at Sta. 34+20.
- 3 Varies from 11'-0" at Sta. 33+18.33 to 14'-9 3/4" at Sta. 34+20.
- 4 Varies from 11'-0" at Sta. 26+75 to 12'-0" at Sta. 27+25. Varies from 12'-0" at Sta. 33+18.33 to 11'-0" at Sta. 33+45.
- 5 Varies from 3.1% at Sta. 26+75 to 2.0% at Sta. 27+25.
- 6 Varies from 3.2% at Sta. 26+75 to 2.0% at Sta. 27+25.
- 7 Varies from 2'-2 1/4" at Sta. 34+20 to 8'-0" at Sta. 35+75.
- 8 Varies from 3'-9 3/4" at Sta. 34+20 to 9'-0" at Sta. 35+58.33.
- 9 Varies from 2.0% at Sta. 35+00 to 3.0% at Sta. 35+50. Varies from 3.0% at Sta. 35+75 to 3.3% at Sta. 35+85.
- 10 Varies from 2.0% at Sta. 36+00 to 2.2% at Sta. 36+30.
- 11 Backfill behind curb. Quantities for this work are included in the Earthwork Summary Table.
- 12 Varies from 2.0% at Sta. 22+00 to -2.0% at Sta. 22+25.
- 13 The additional thickness of concrete sidewalk will be paid for as "Concrete Sidewalk, Thickened Edge".

Dimensions and slopes shown are typical. See plan and cross-sections for variations.

Intersection of all slope lines shall be softened and rounded for pleasing appearance.

CONSULTANTS:

AMIDON AVENUE BRIDGE
at ARKANSAS RIVER

WICHITA, KANSAS



REVISIONS:	MARK	DATE	DESCRIPTION

PROJ NO: E1010-40250621
SCALE: 1"=5'
DATE: 7/13/2022
DESIGNED BY: CKC
DRAWN BY: CKC
CHECKED BY: MDB

SHEET TITLE:
TYPICAL SECTIONS

SHEET NO.
3
SHEET 3 OF 128