


CONSULTANTS:

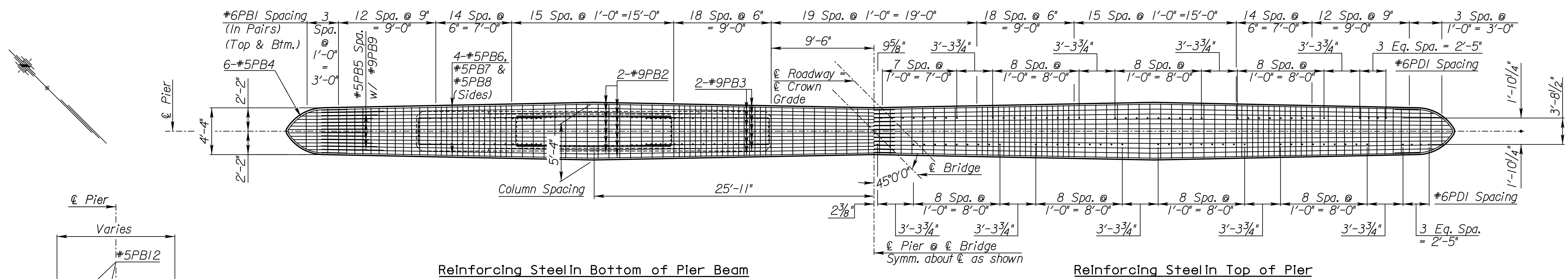
AMIDON AVE. BRIDGE
 AT ARKANSAS RIVER
 WICHITA, KANSAS


REVISIONS:	MARK	DATE	DESCRIPTION

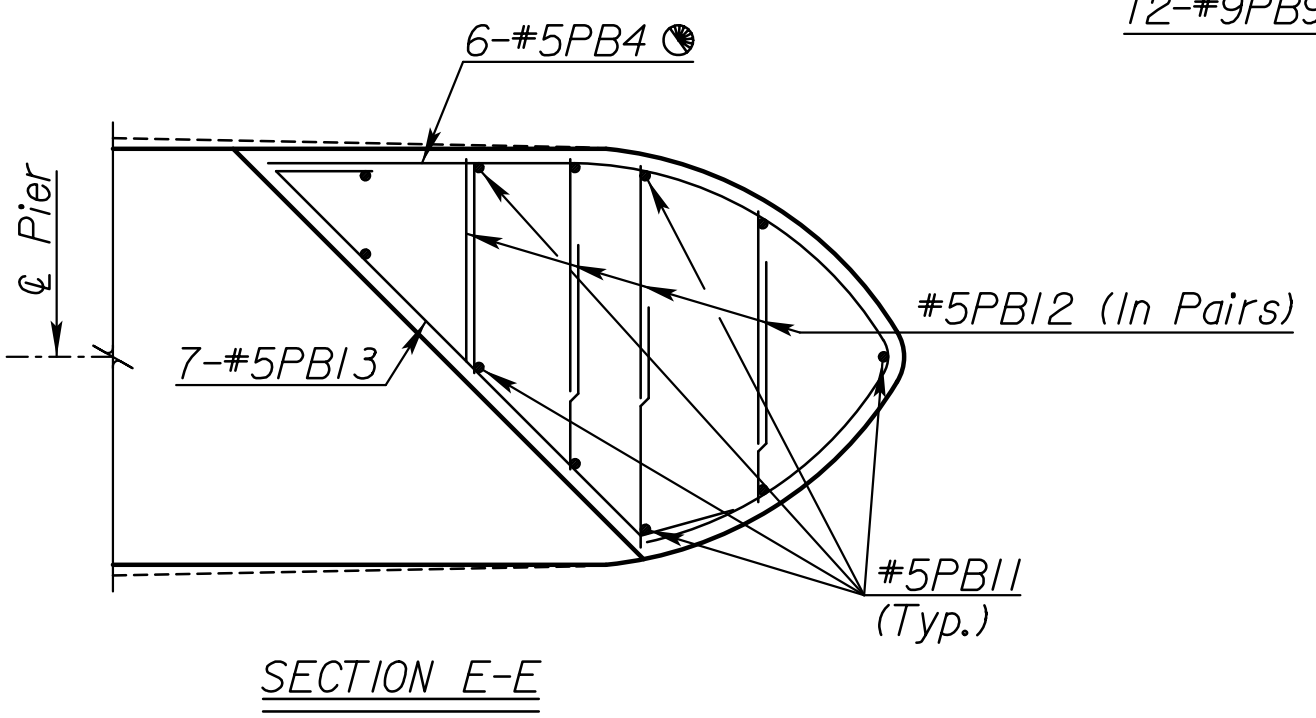
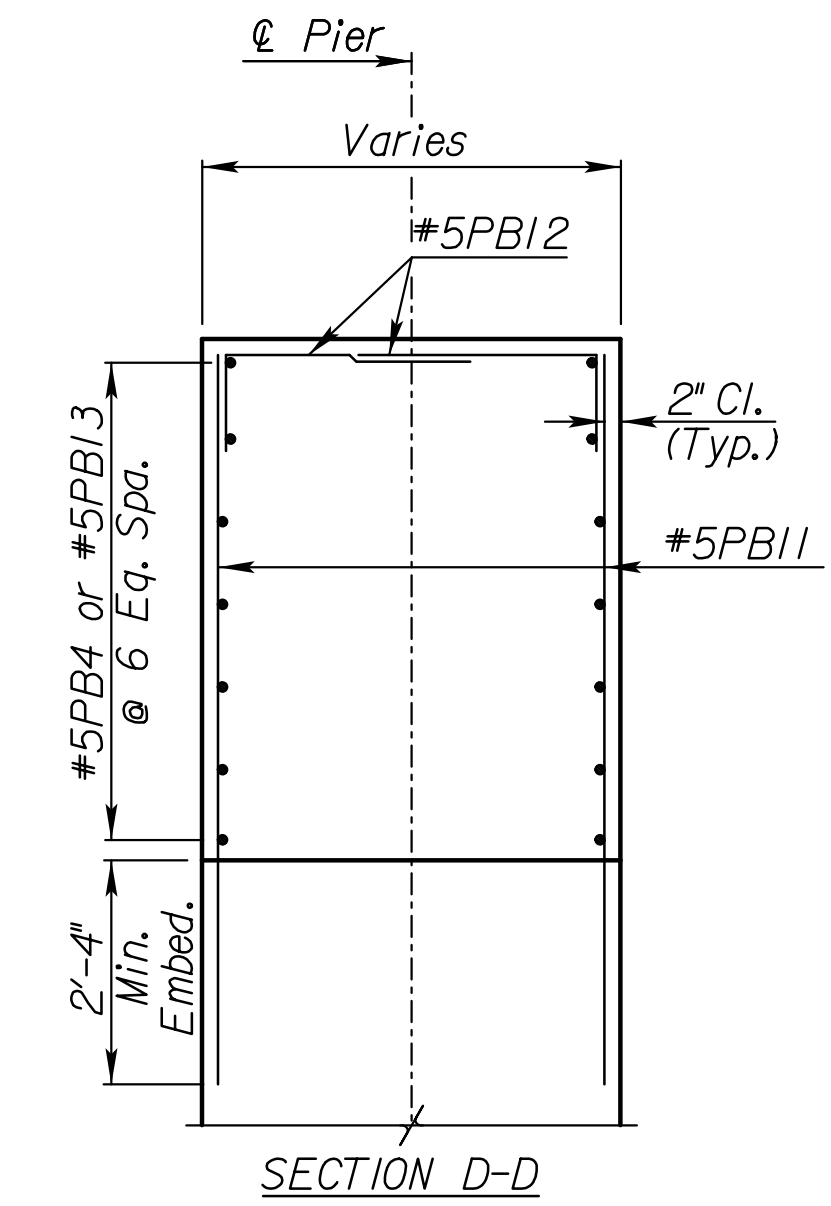
PROJ NO: E1010-4025062
 SCALE:
 DATE: 07/08/2022
 DESIGNED BY: JBM
 DRAWN BY: JBM
 CHECKED BY: WBS

SHEET TITLE:
PIER DETAILS II

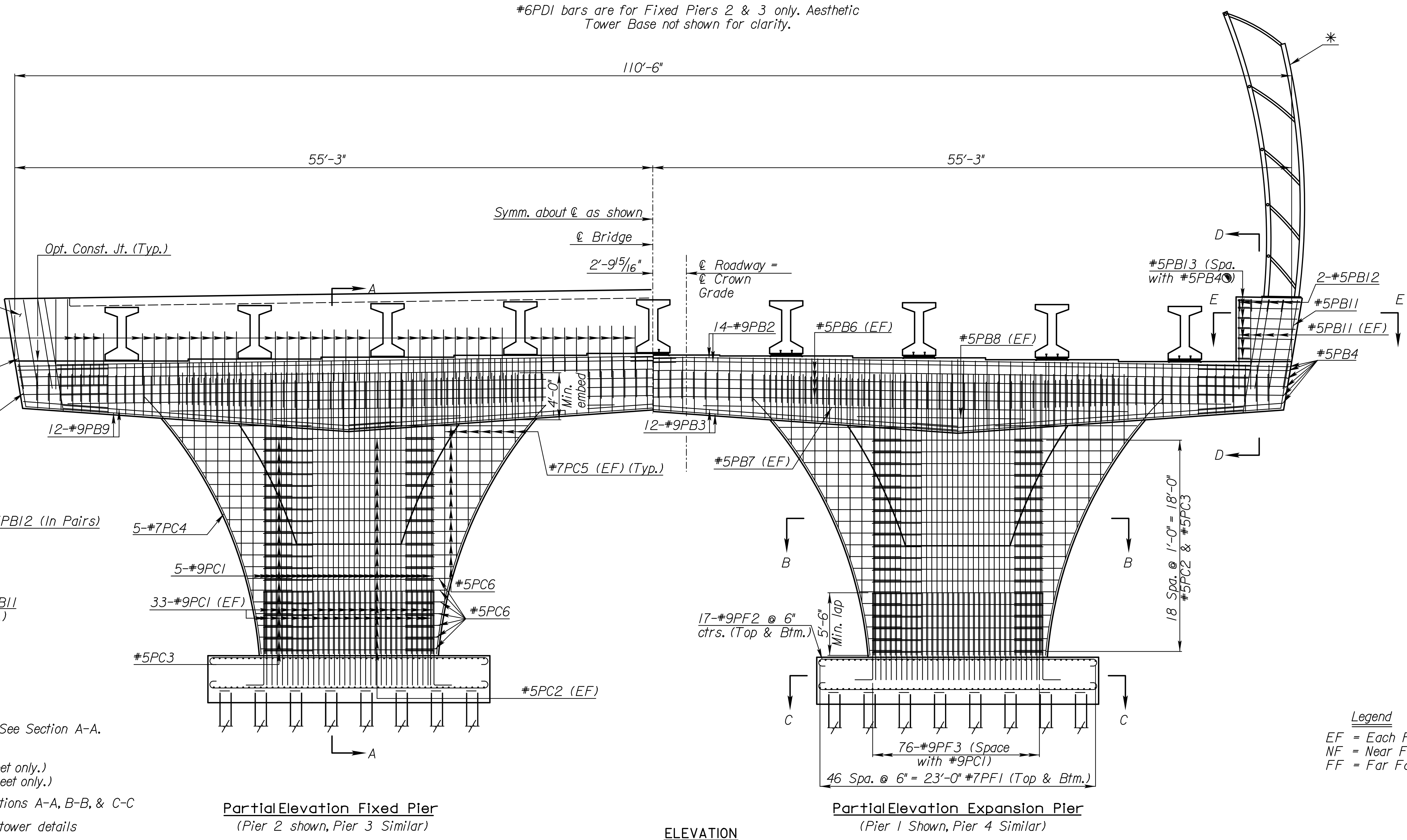
SHEET NO.
42
 SHEET 42 OF 128



PLAN
 #6PDI bars are for Fixed Piers 2 & 3 only. Aesthetic Tower Base not shown for clarity.



Field cut legs as needed.
 Note: #5PBI0 bar not shown for clarity. See Section A-A.
 Min. lap for a #5 bar is 2'-4" (This sheet only.)
 Min. lap for a #8 bar is 3'-10" (This sheet only.)
 See "Pier Auxiliary Details" sheet for Sections A-A, B-B, & C-C
 * See "Aesthetic Tower Details" sheets for tower details



ELEVATION