

CONSULTANTS:

AMIDON AVE. BRIDGE
 AT ARKANSAS RIVER

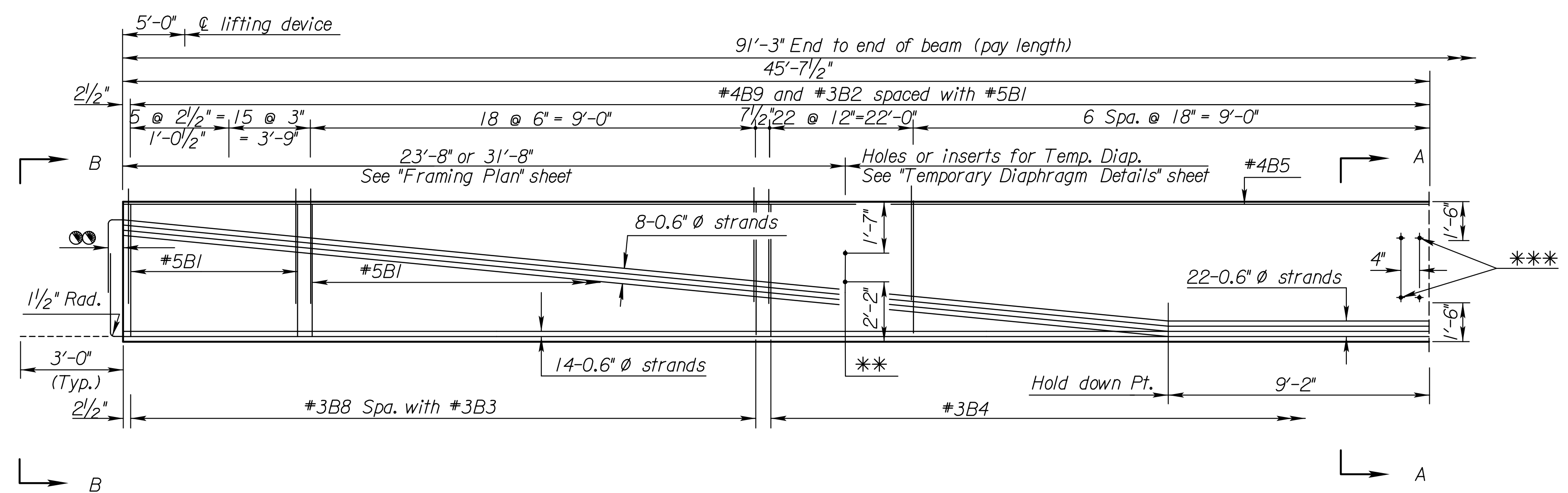
WICHITA, KANSAS


REVISIONS:	MARK	DATE	DESCRIPTION

PROJ NO: E1010-4025062
 SCALE:
 DATE: 07/08/2022
 DESIGNED BY: JBM
 DRAWN BY: JBM
 CHECKED BY: WBS

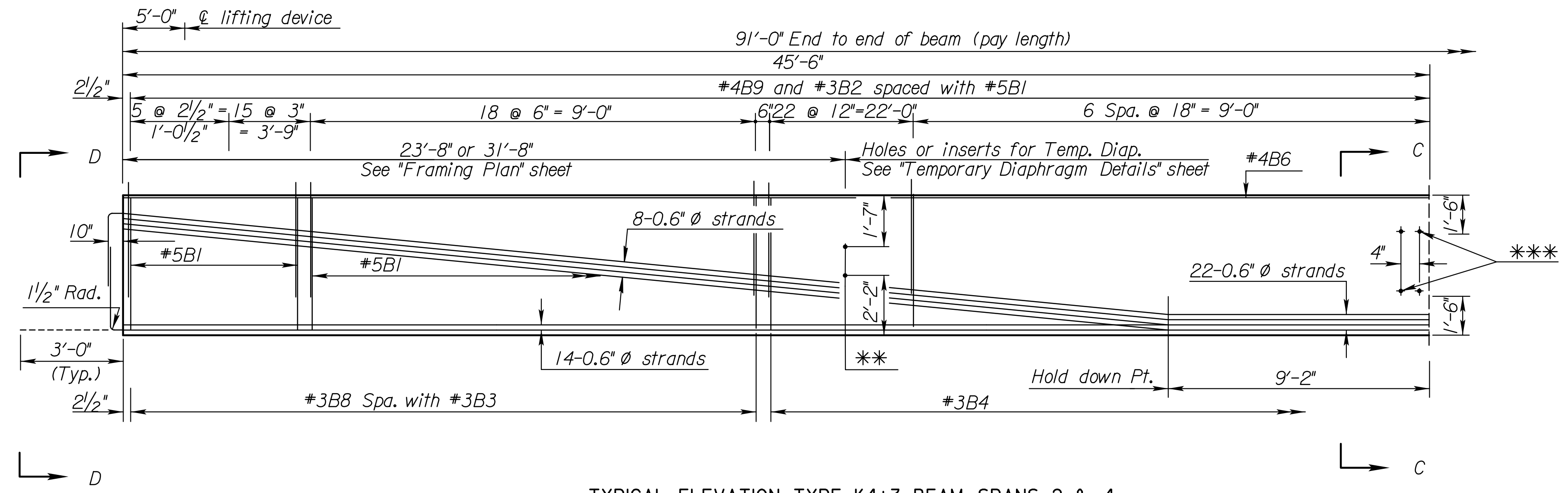
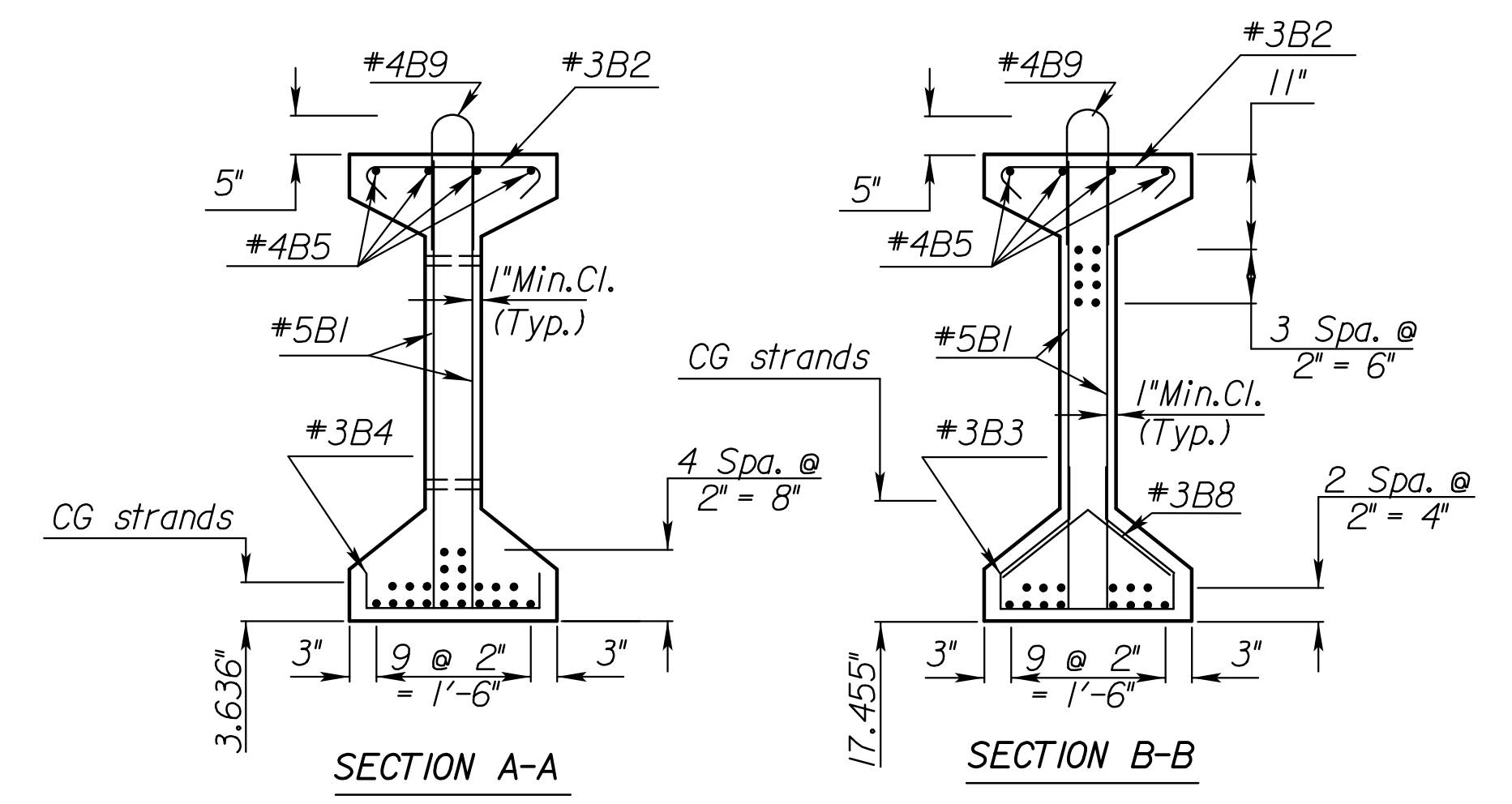
SHEET TITLE:
BEAM DETAILS I

SHEET NO.
48
 SHEET **48** OF 128

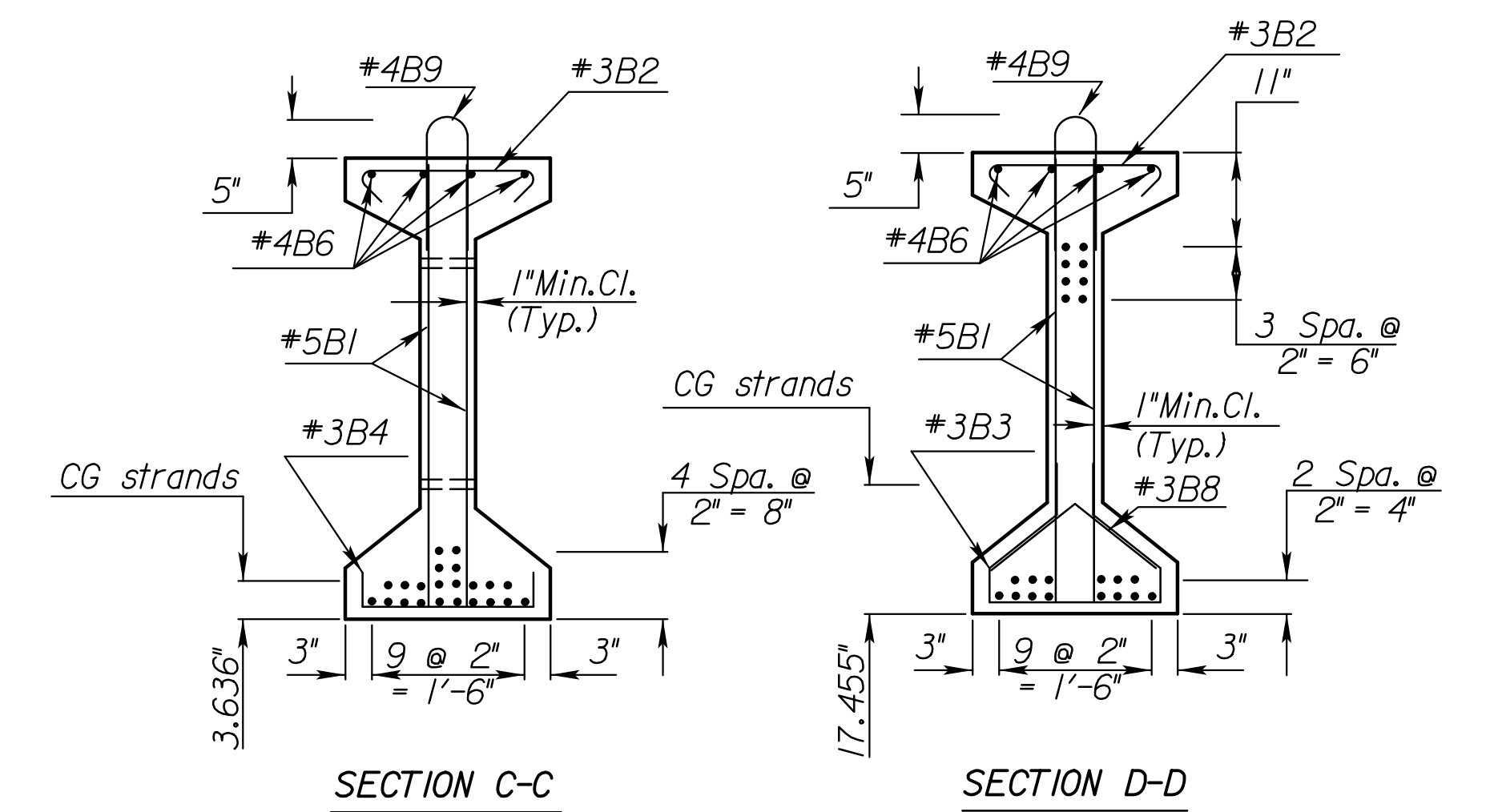


TYPICAL ELEVATION TYPE K4+3 BEAM SPANS 1 & 5

4" @ Abutments
 10" @ Piers



TYPICAL ELEVATION TYPE K4+3 BEAM SPANS 2 & 4



** Holes or inserts for Temporary Diaphragm at 1st & 3rd Quarter Points. See "Temporary Diaphragm Details" sheet.

*** 3/4" Open coil inserts. See "Framing Plan" sheet for location of inserts for Intermediate Diaphragms. Note that inserts are not centered on mid-span of girder.

NOTE: Extend 8 strands 3'-0" beyond the end of the beam. Strands not shown shall be cut flush with the end of the beam. See "Strand Extension Details".