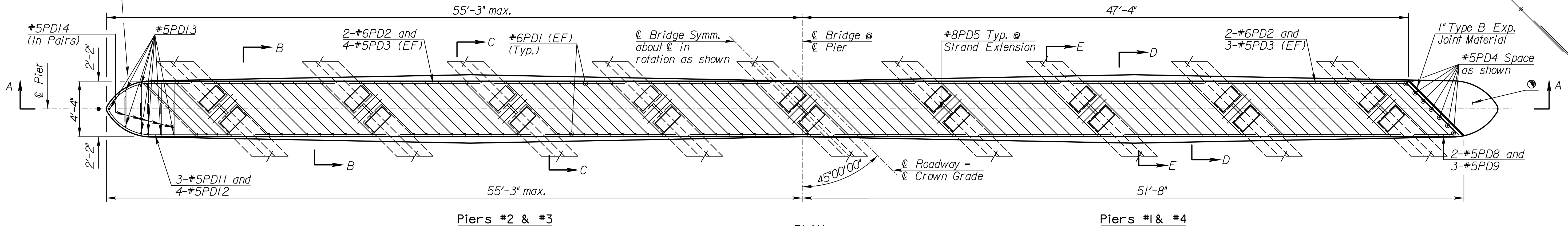
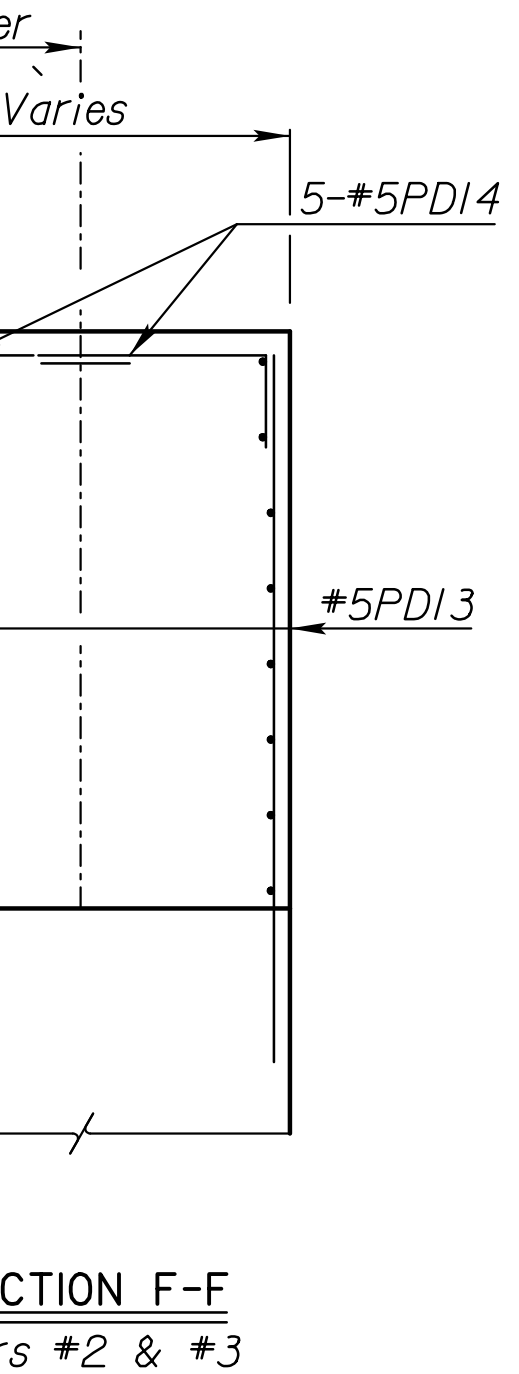
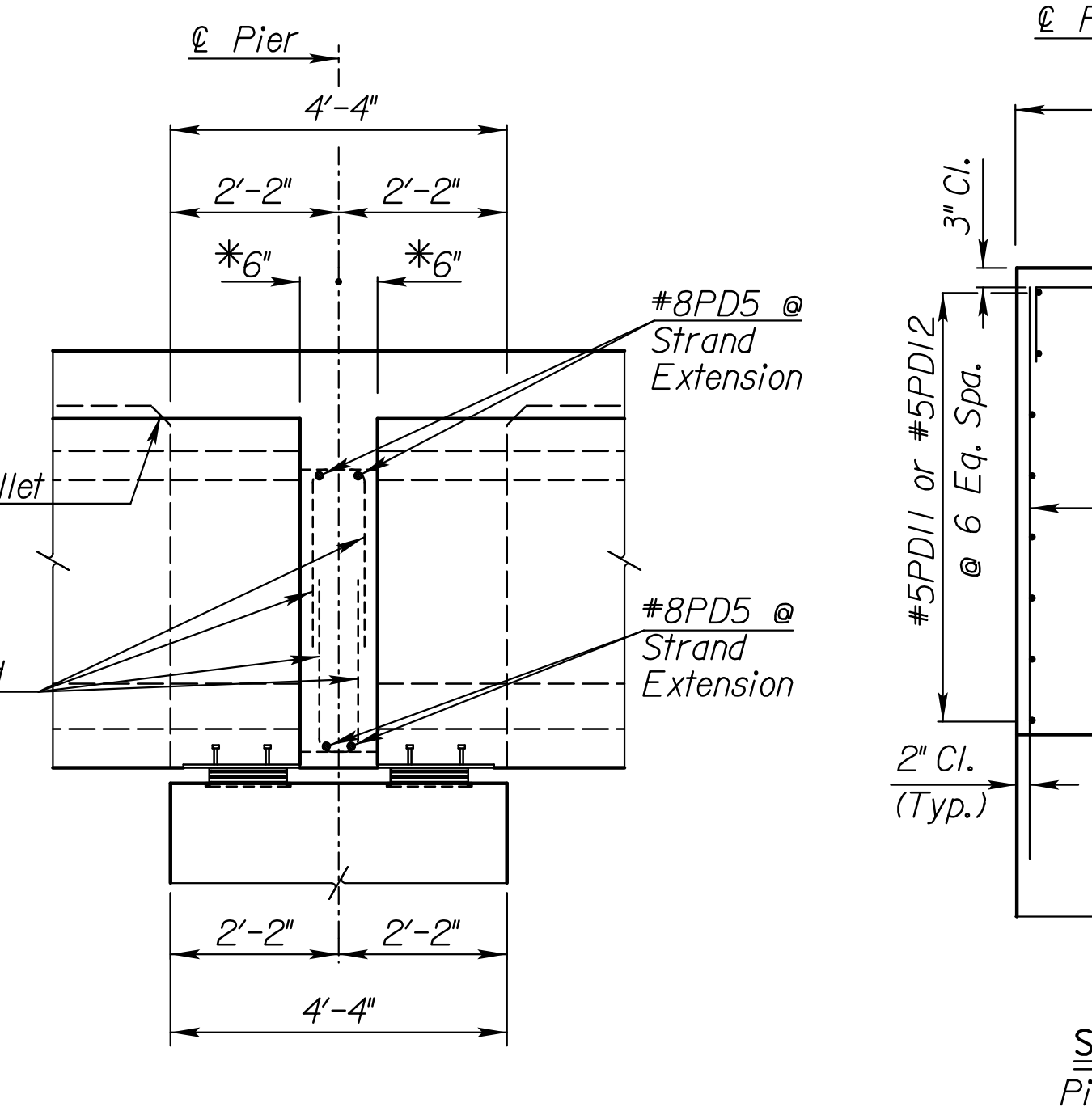
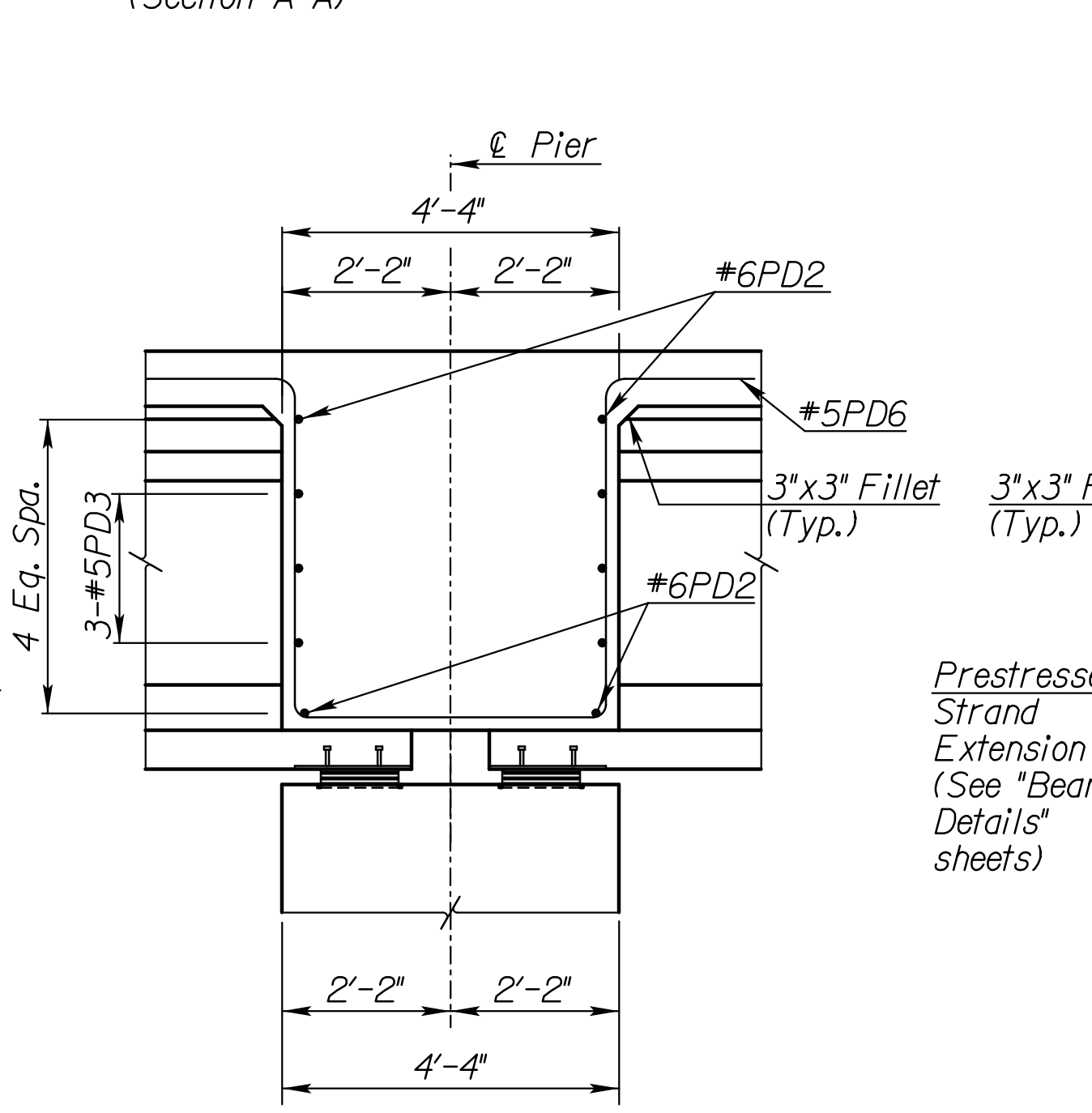
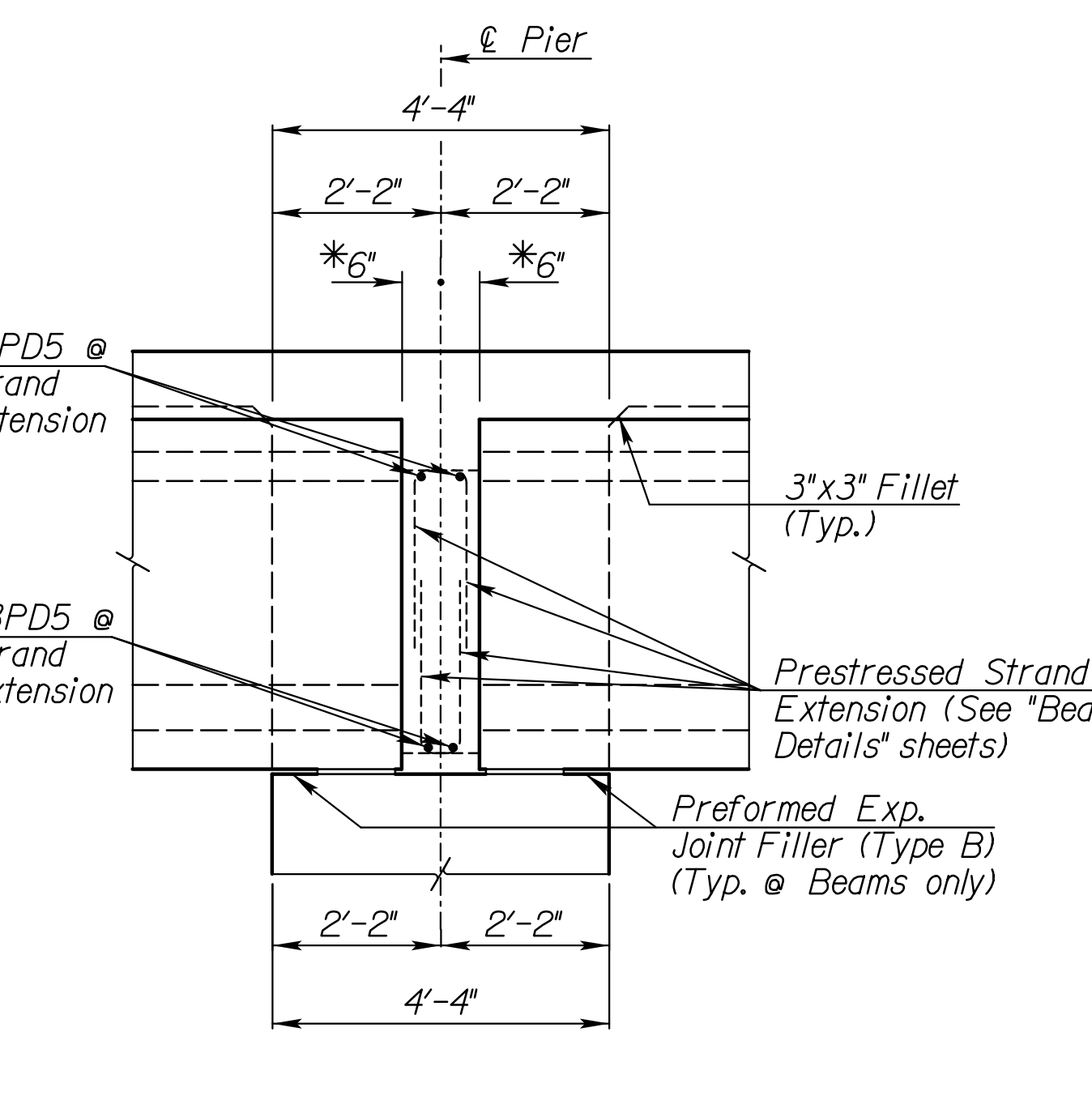
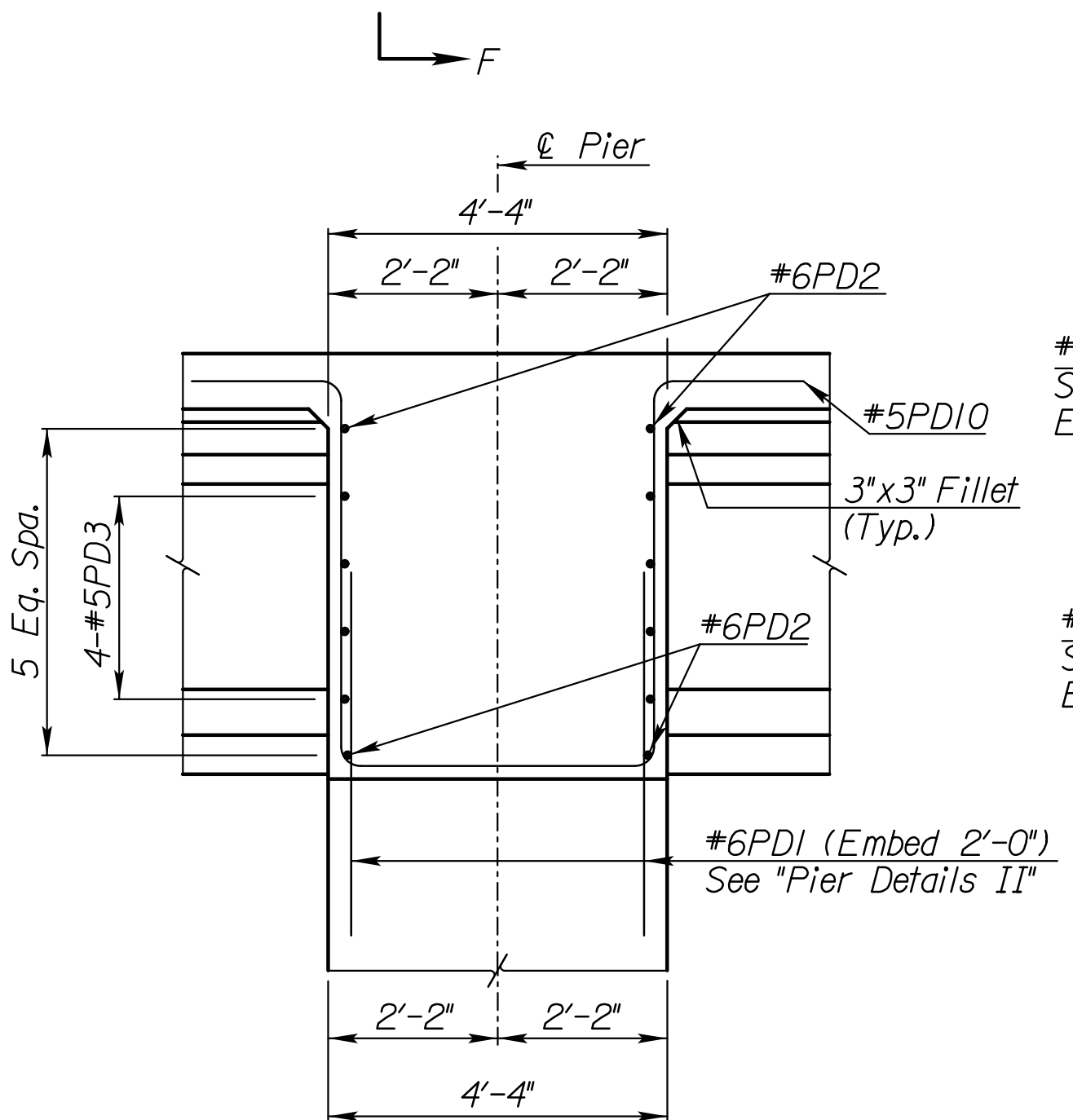
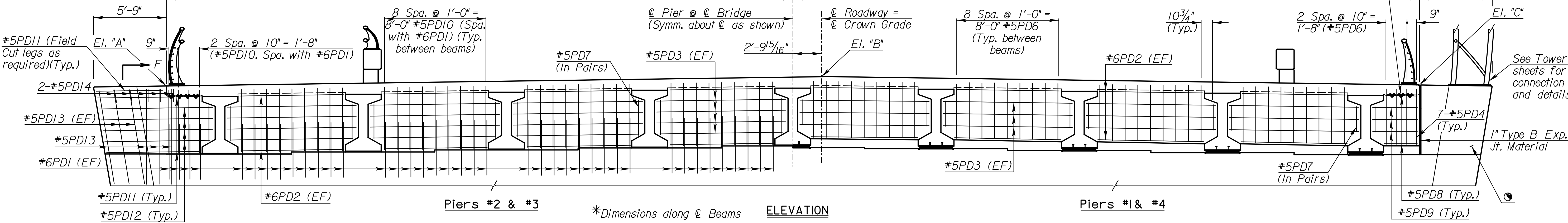
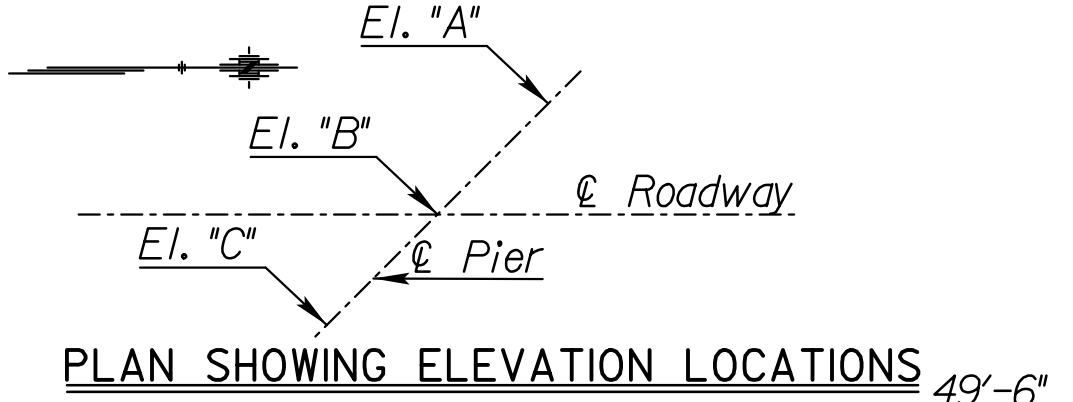


See Detail "A" on "Pier Details I" sheet for plan geometry



**TABLE OF PIER DIAPHRAGM ELEVATIONS**

Pier	"A"	"B"	"C"
Pier #1	1316.30	1316.91	1316.08
Pier #2	1316.40	1317.14	1316.44
Pier #3	1316.14	1317.03	1316.45
Pier #4	1315.55	1316.57	1316.11



PREPARED BY  
  
 721 NORTH WACO  
 SUITE 200  
 WICHITA, KANSAS 67203  
 PHONE: 316-352-9333

CONSULTANTS:

AMIDON AVE. BRIDGE  
 AT ARKANSAS RIVER  
 WICHITA, KANSAS

REVISIONS:

MARK	DATE	DESCRIPTION

PROJ NO: E1010-4025062  
 SCALE:  
 DATE: 07/08/2022  
 DESIGNED BY: JBM  
 DRAWN BY: JBM  
 CHECKED BY: WBS

SHEET TITLE:  
**PIER DIAPHRAGM DETAILS**

SHEET NO.  
**53**  
 SHEET 53 OF 128