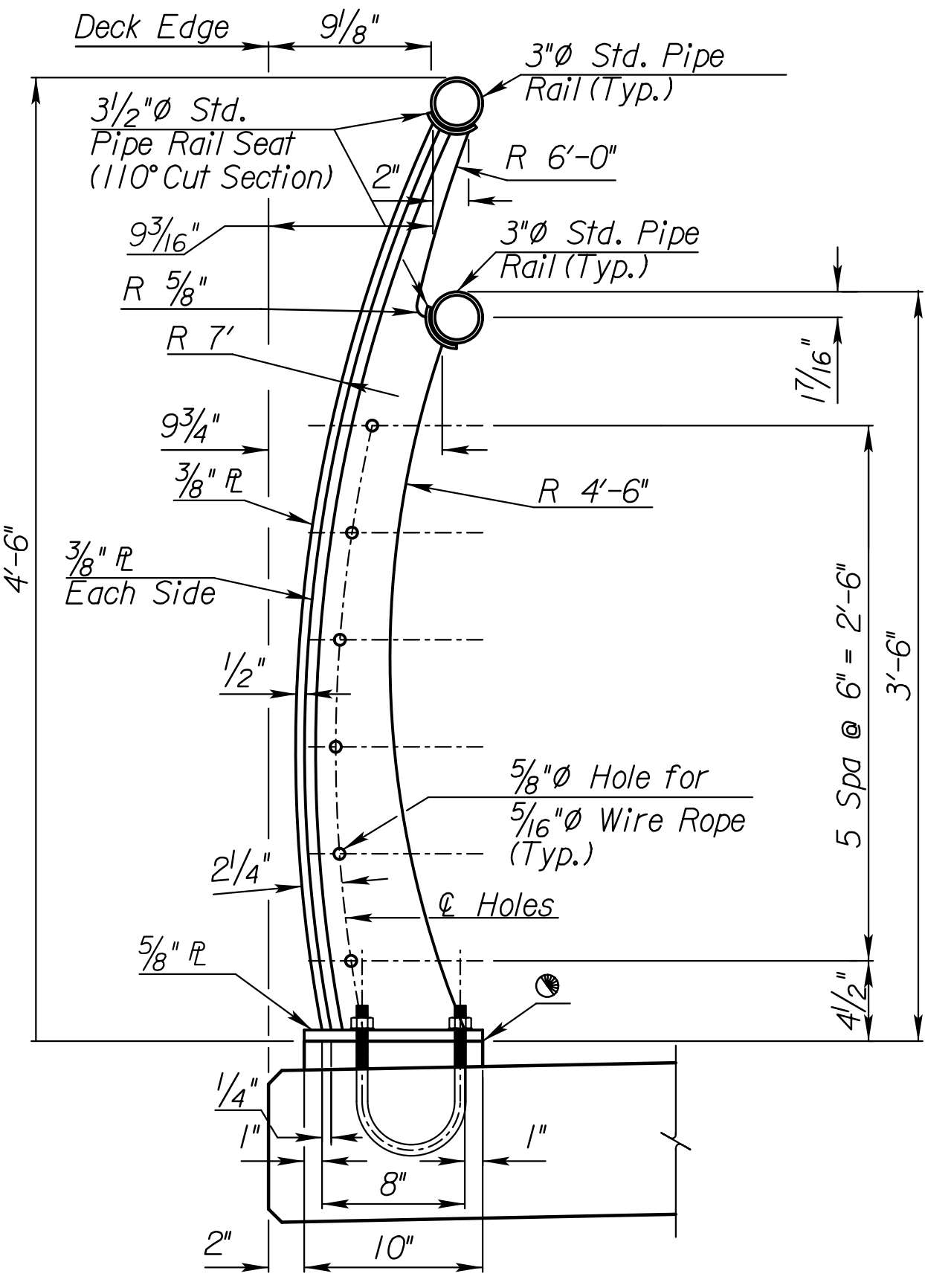
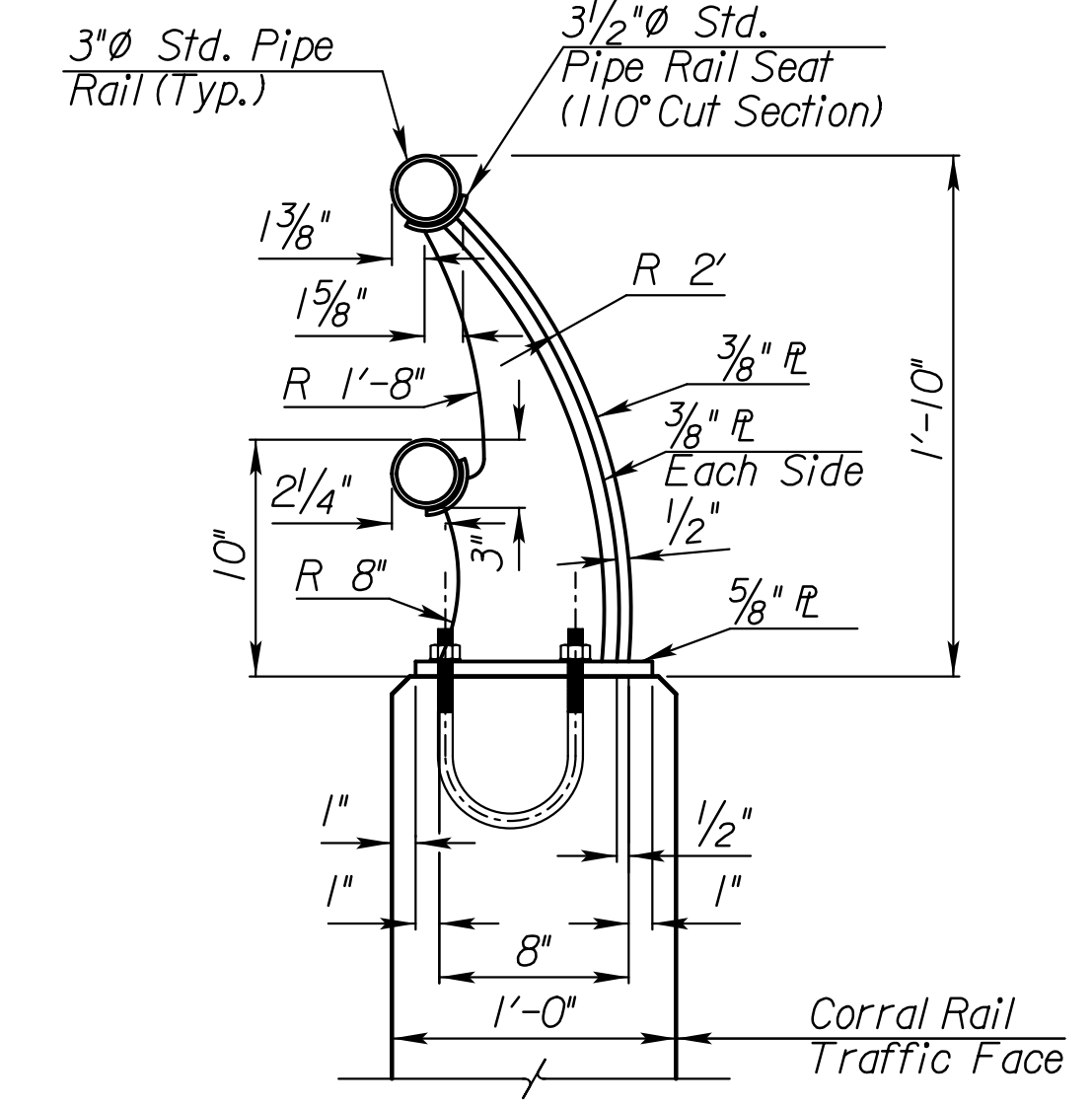


4'-6" END POST TYPICAL SECTION

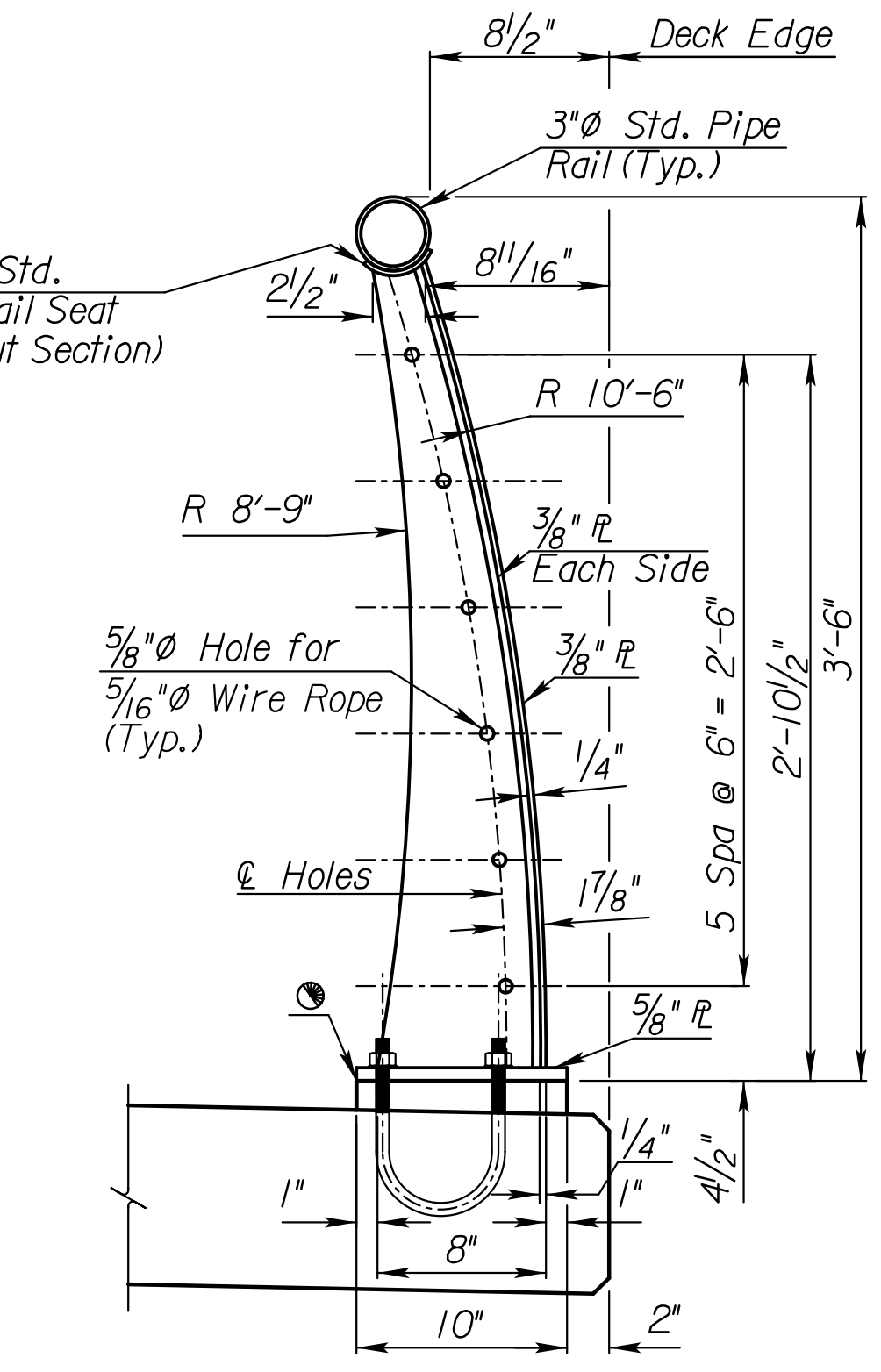
2 End Posts required for each End Panel



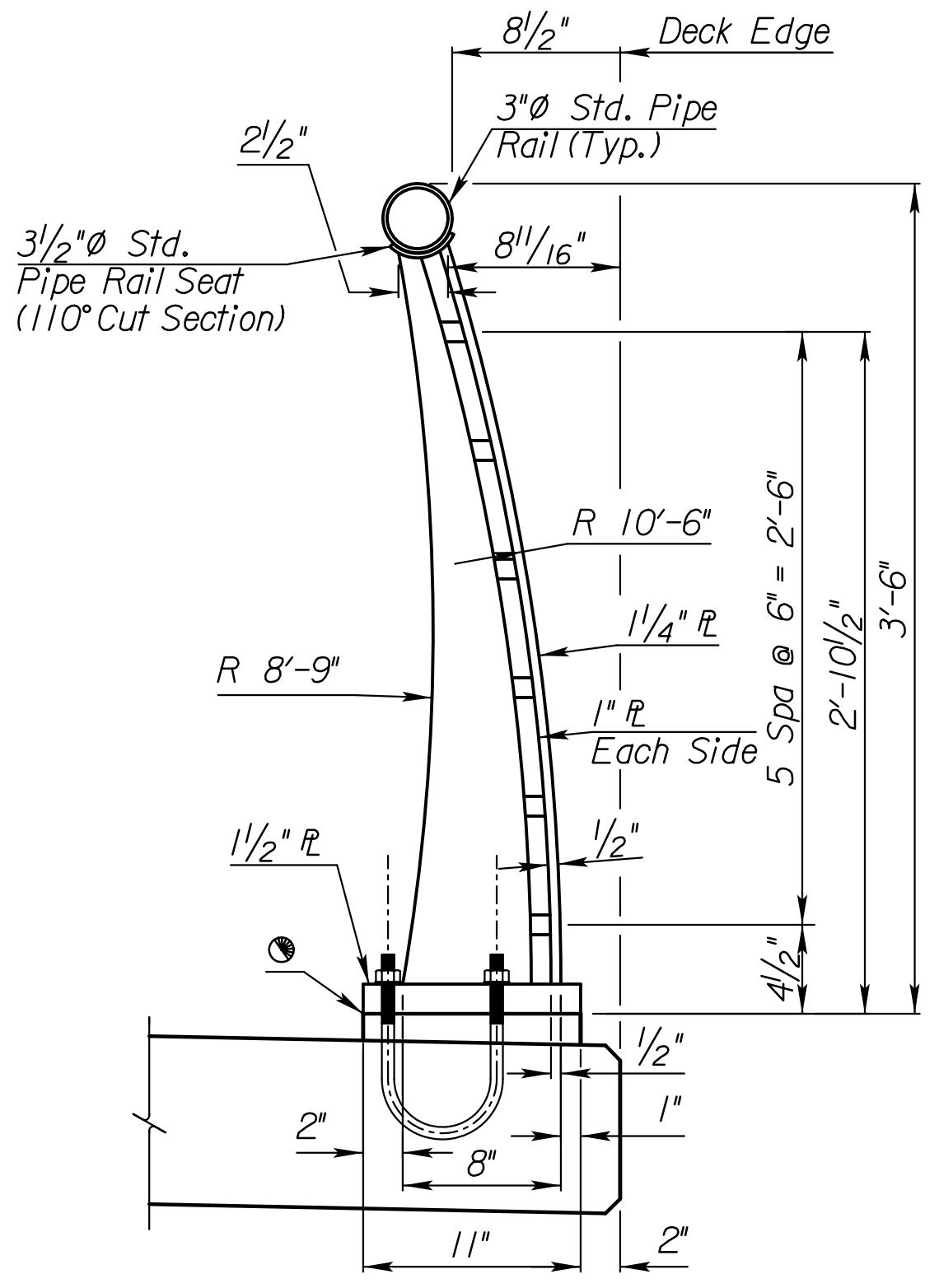
4'-6" INTERMEDIATE POST TYPICAL SECTION



1'-10" TYPICAL SECTION



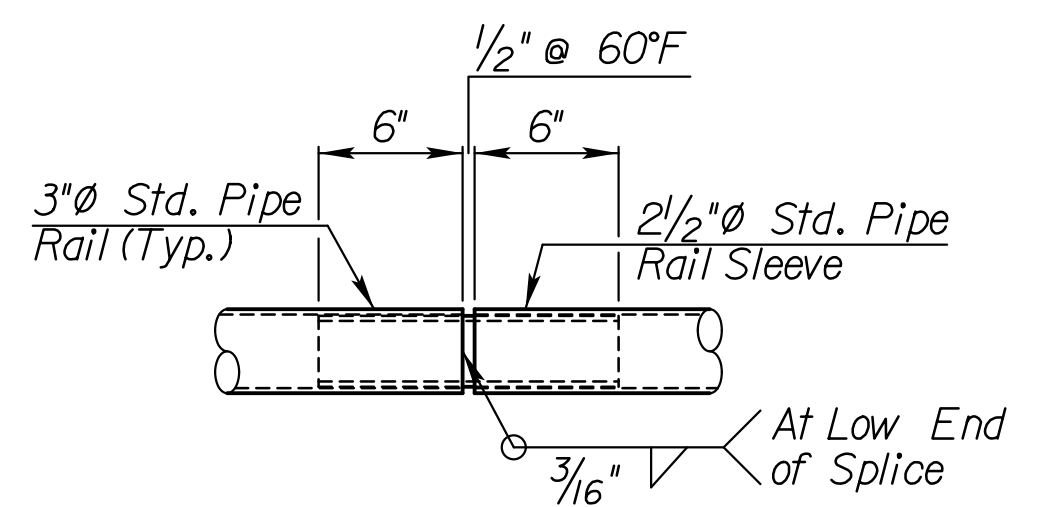
3'-6" INTERMEDIATE POST TYPICAL SECTION



3'-6" END POST TYPICAL SECTION

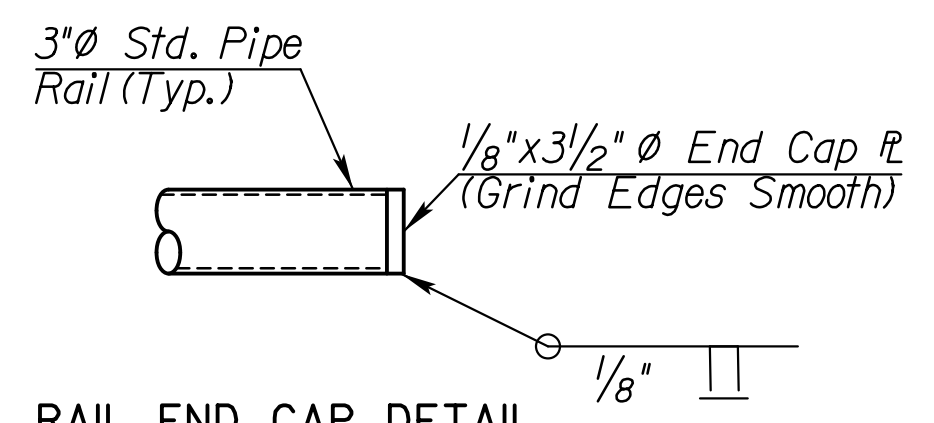
2 End Posts required for each End Panel

● Use 1/2" Non-Shrink Grout Leveling pad at individual posts. Use Concrete (Grade 4.0) (AE) (SA) (MPC) at continuous leveling pads.

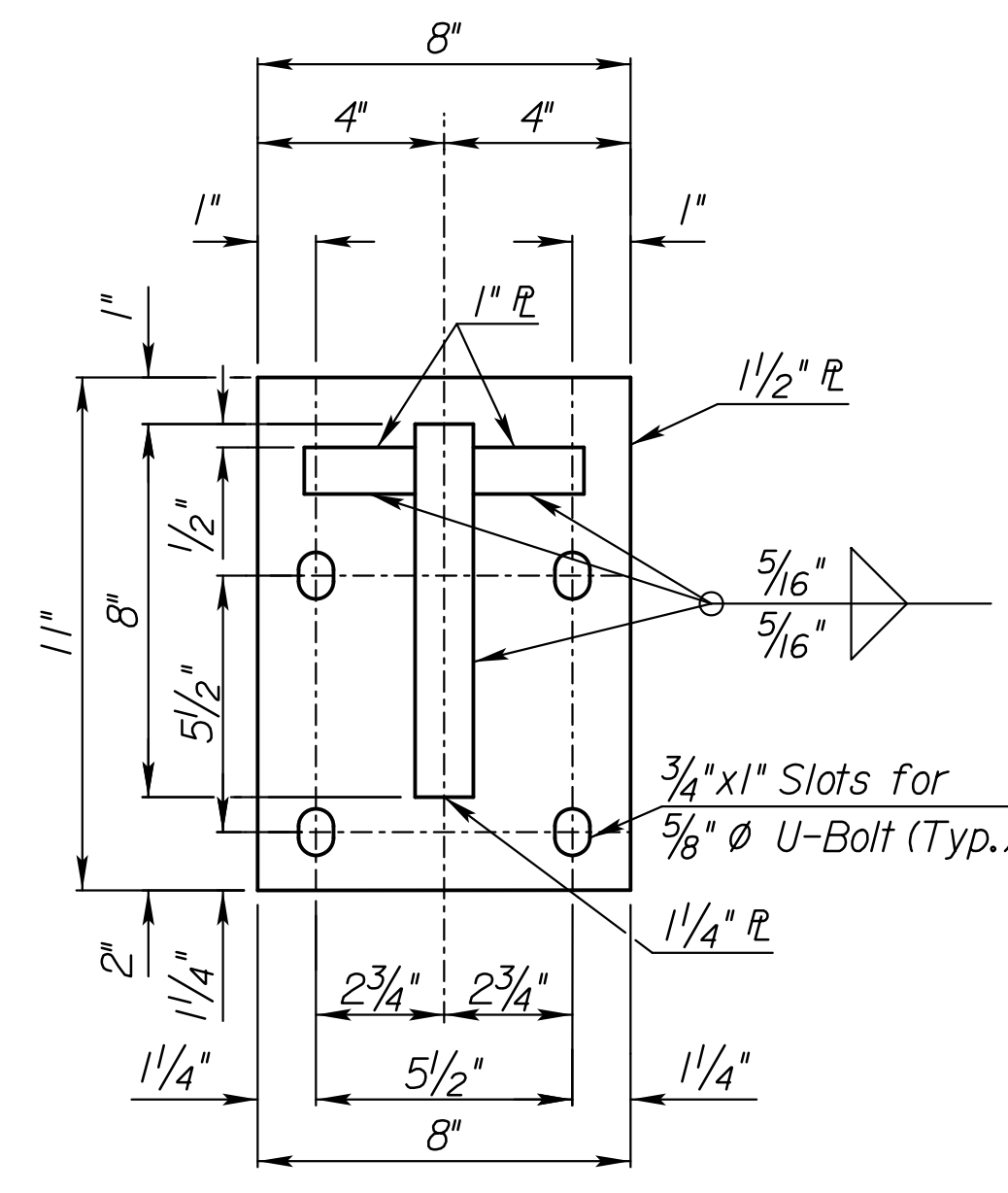


RAIL SPLICE DETAIL

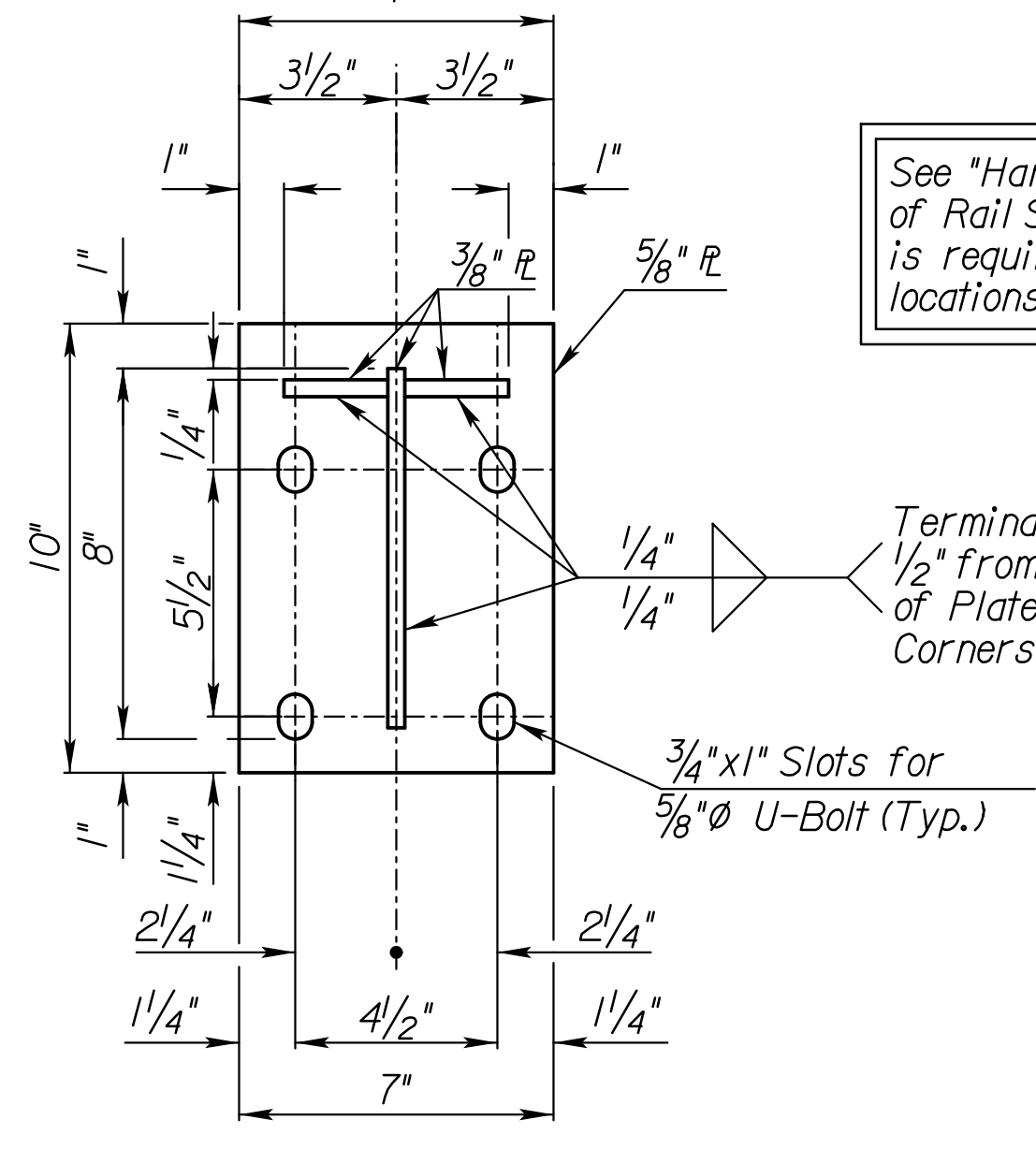
See "Handrail Details I" sheet for locations of Rail Splice Detail. Note, Rail Splice Detail is required centered over bridge E.W.S (4 locations total)



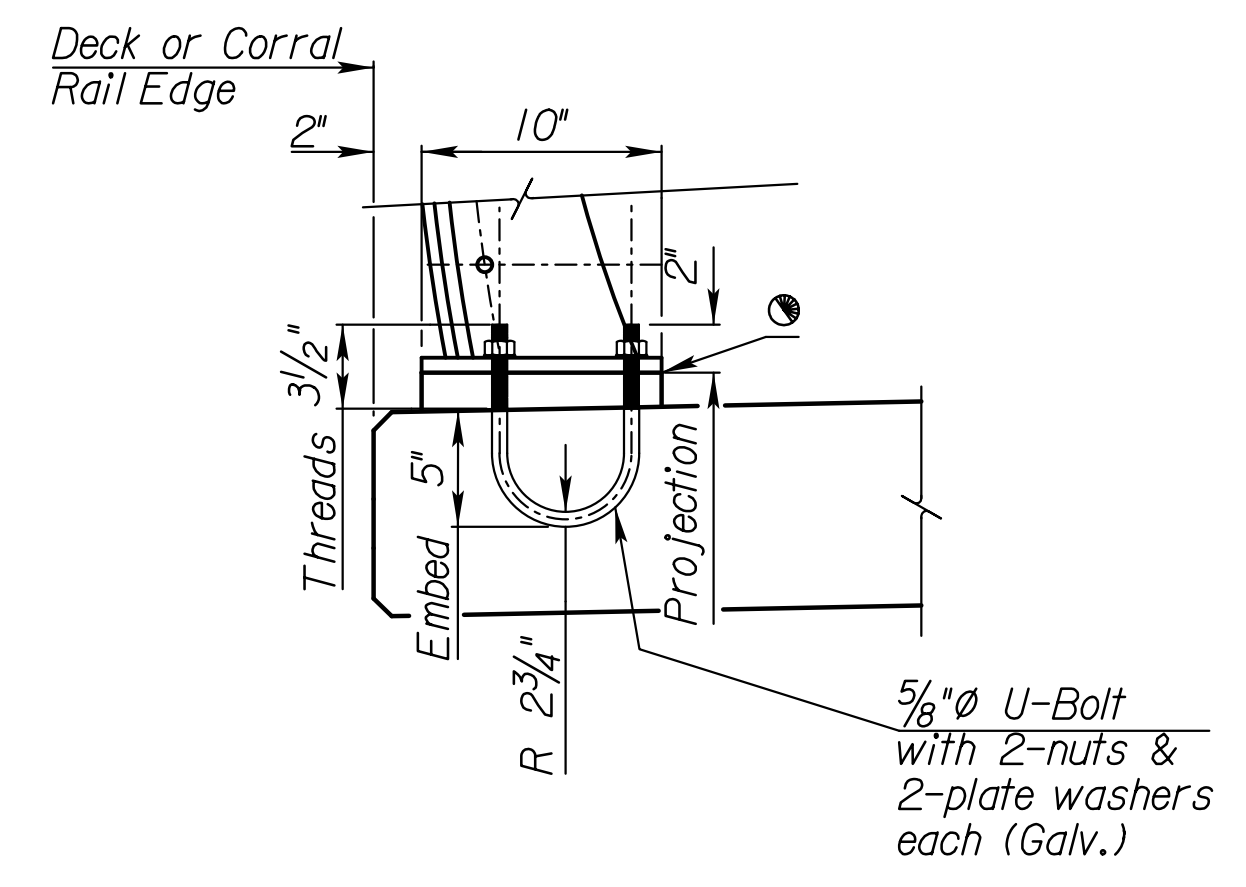
RAIL END CAP DETAIL



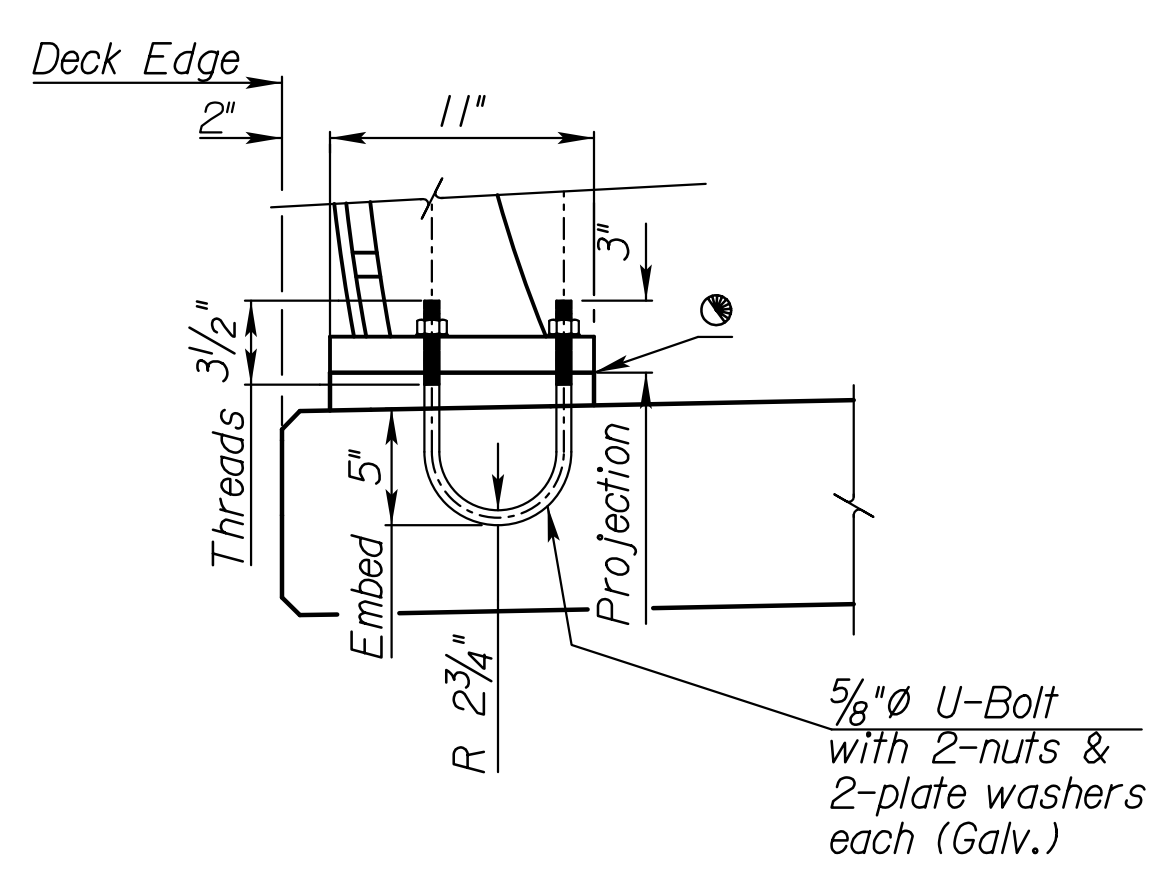
Base Plate at End Post PLAN



Base Plate at Intermediate Post PLAN



INTERMEDIATE POST U-BOLT DETAIL



END POST U-BOLT DETAIL

CONSULTANTS:

AMIDON AVE. BRIDGE
 AT ARKANSAS RIVER

WICHITA, KANSAS

 CITY OF WICHITA

REVISIONS:	DESCRIPTION	DATE	MARK

PROJ NO: E1010-4025062
 SCALE:
 DATE: 07/08/2022
 DESIGNED BY: JBM
 DRAWN BY: JBM
 CHECKED BY: WBS

SHEET TITLE:
HANDRAIL DETAILS II

SHEET NO.
59
 SHEET 59 OF 128