


CONSULTANTS:

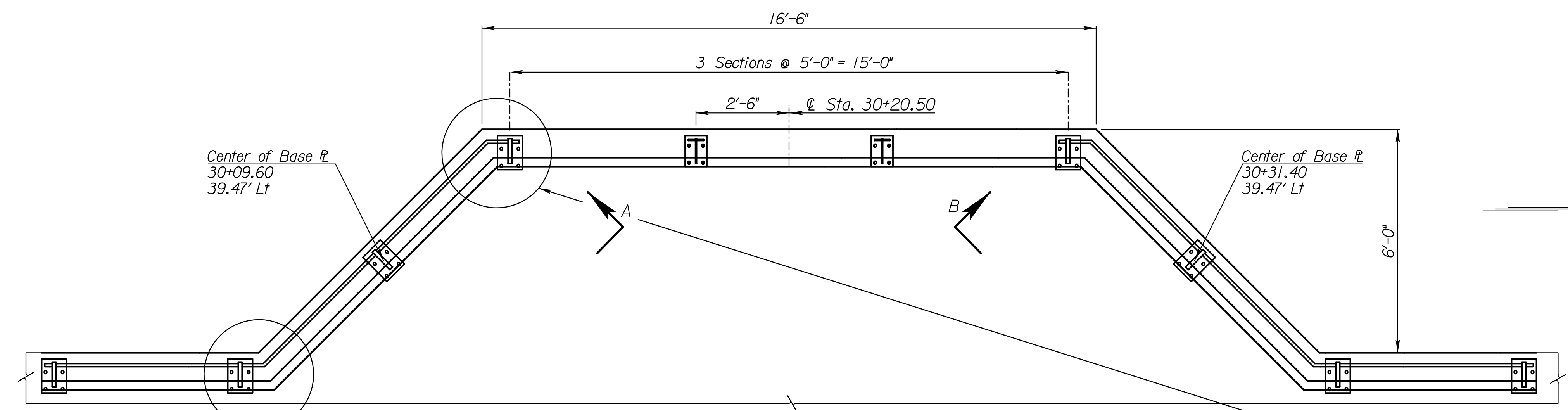
AMIDON AVE. BRIDGE
 AT ARKANSAS RIVER
 WICHITA, KANSAS


REVISIONS:	MARK	DATE	DESCRIPTION

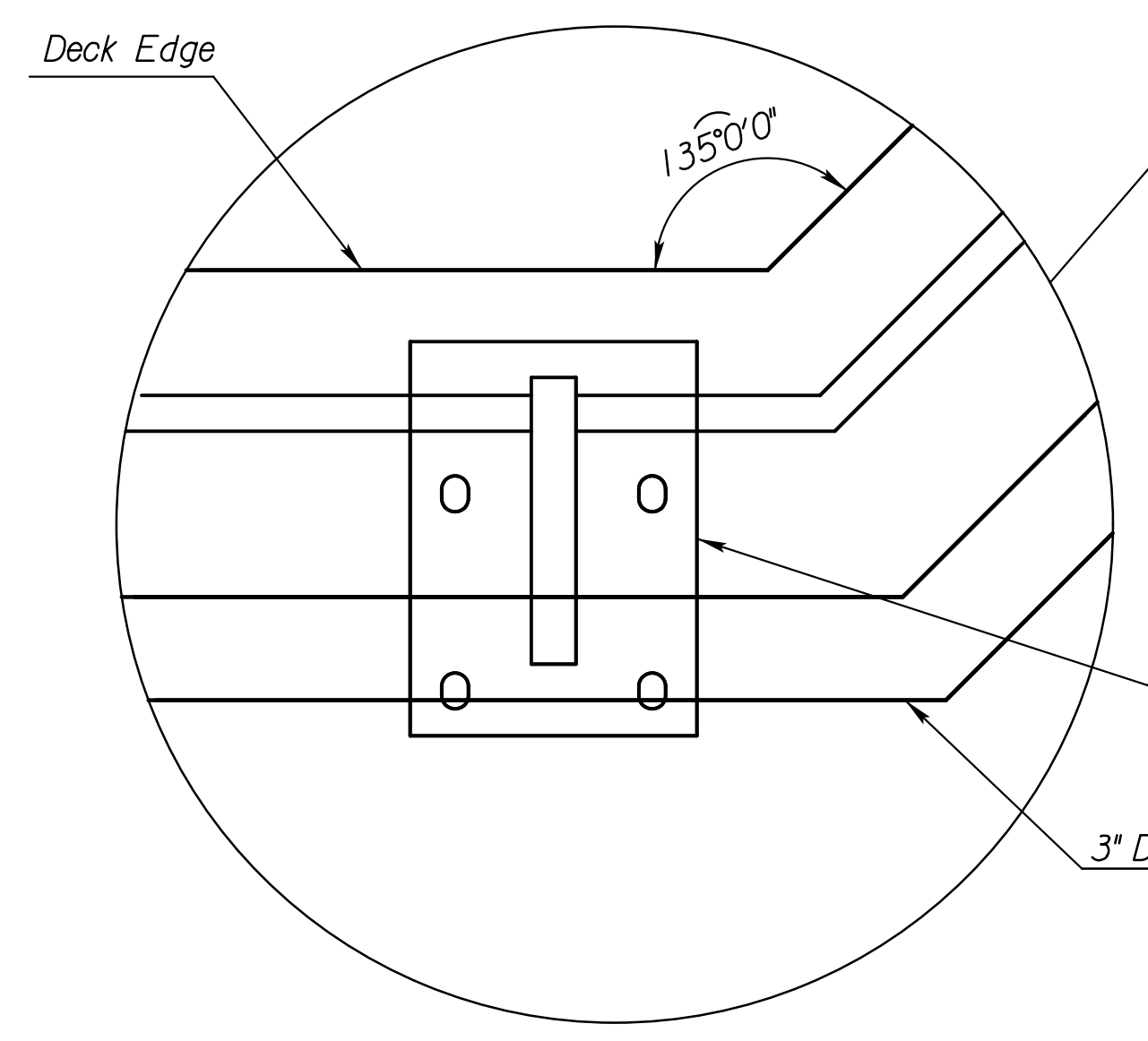
PROJ NO: E1010-4025062
 SCALE:
 DATE: 07/08/2022
 DESIGNED BY: JBM
 DRAWN BY: JBM
 CHECKED BY: WBS

SHEET TITLE:
**BALCONY
 PLAN &
 ELEVATION**

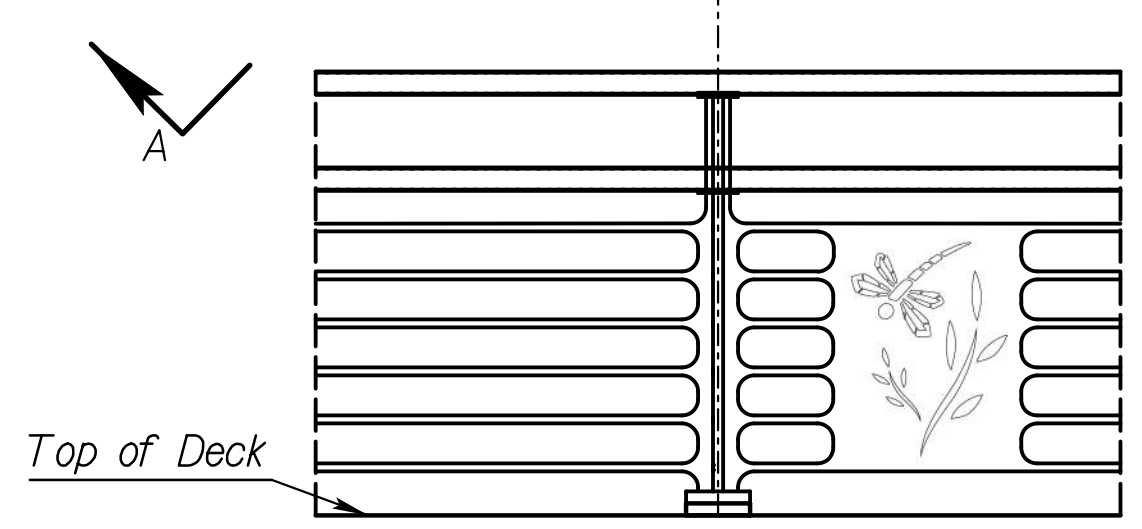
SHEET NO.
60
 SHEET 60 OF 128



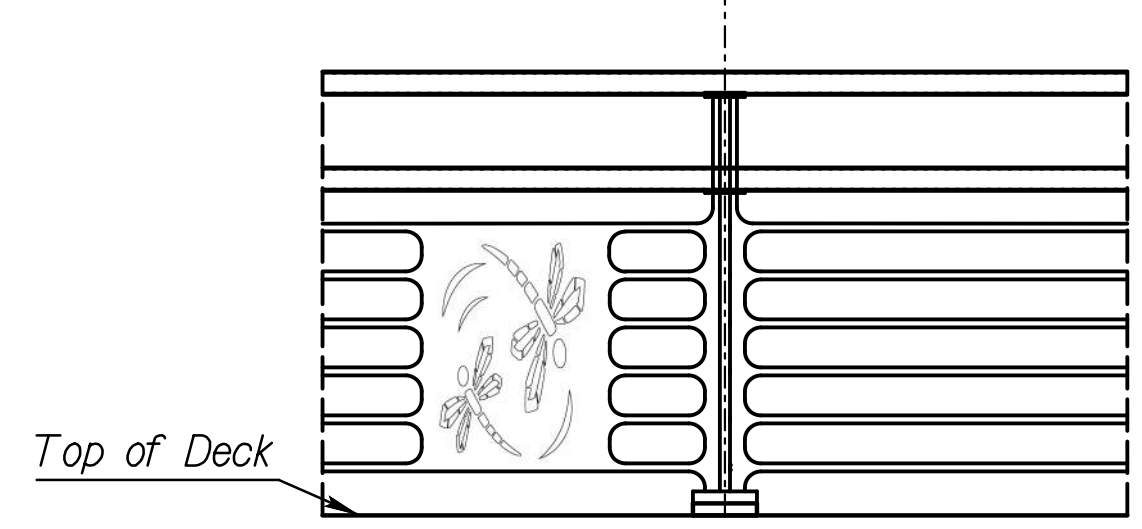
HANDRAIL PLAN



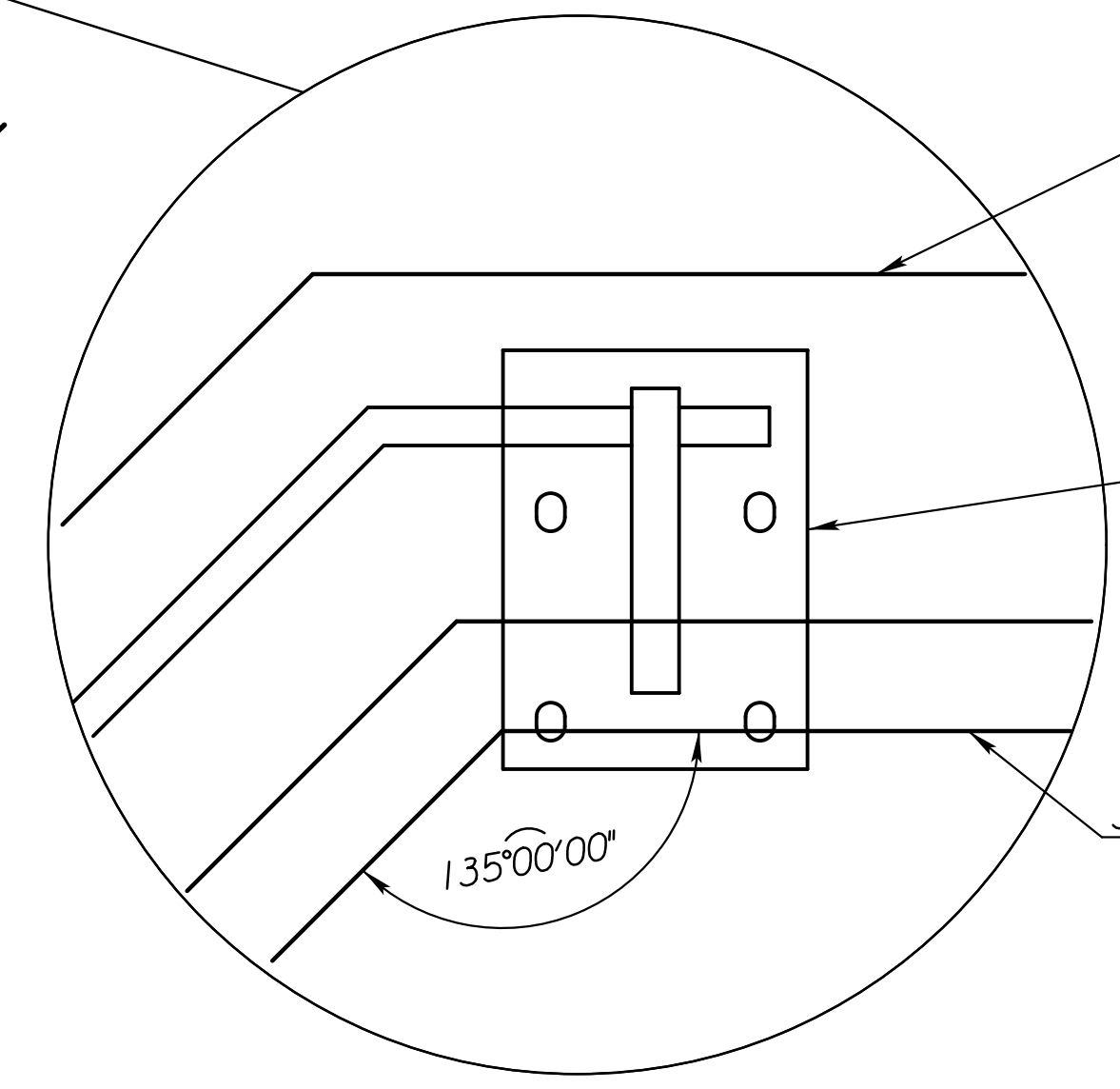
See "Handrail Detail" sheets
 for other details including
 base plate and anchor bolts.
 3" Dia. Std. Pipe Rail



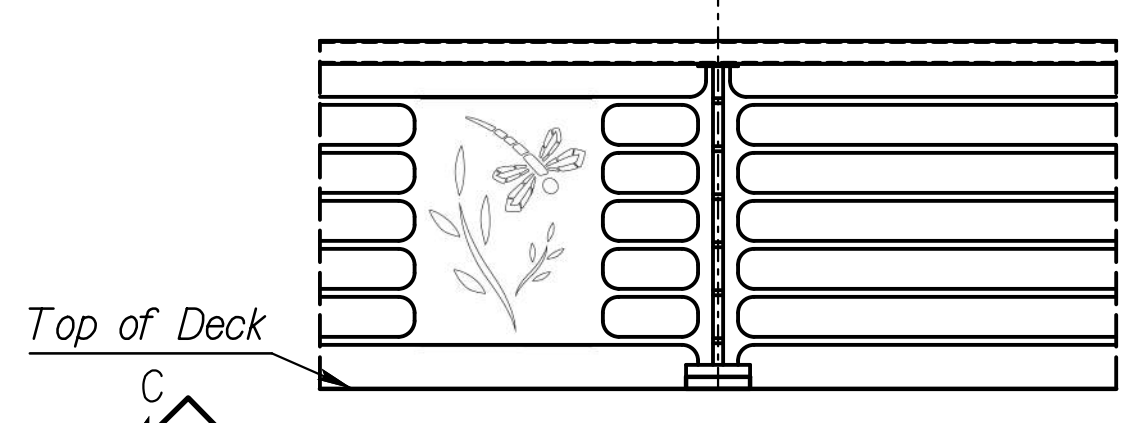
SECTION A-A
 See "Balcony Panel Artwork" Sheet



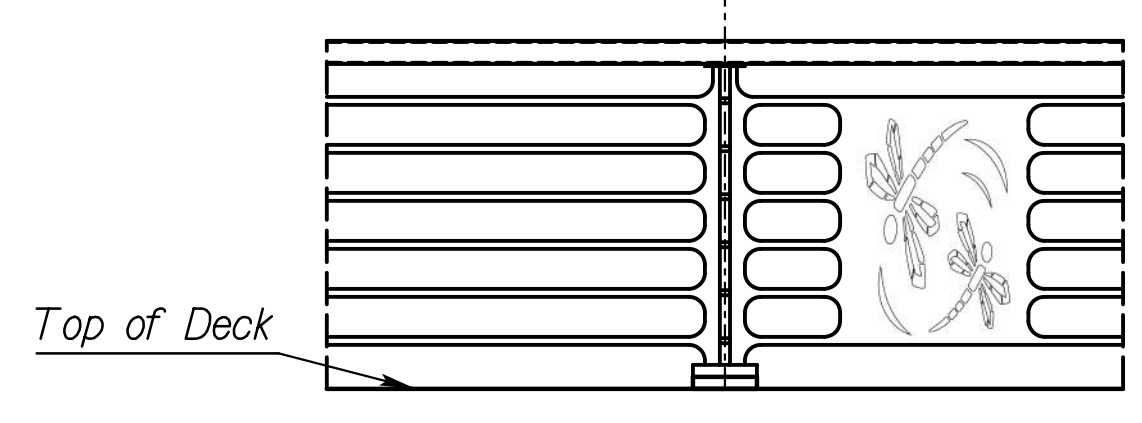
SECTION B-B
 See "Balcony Panel Artwork" Sheet



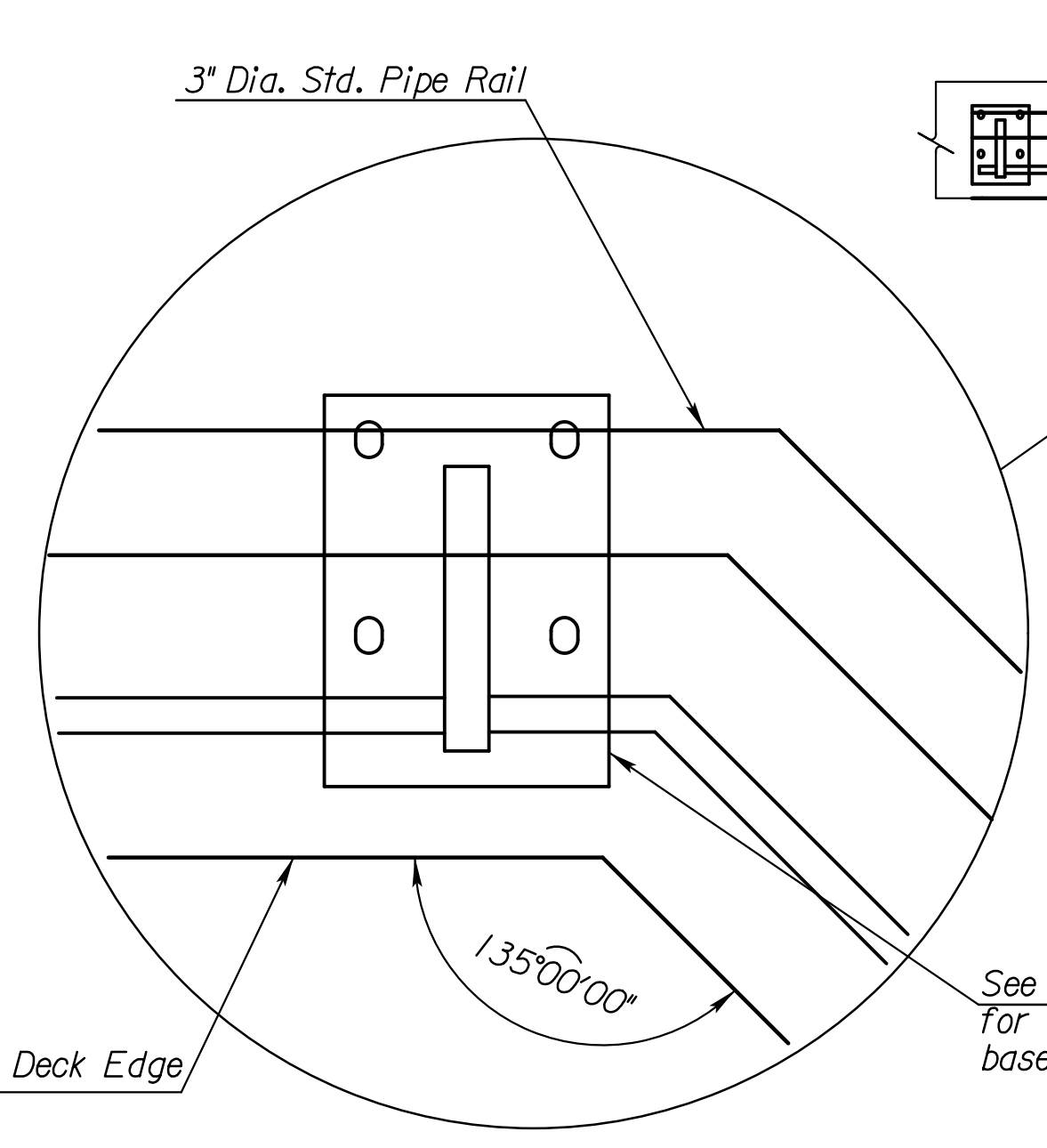
See "Handrail Detail" sheets
 for other details including
 base plate and anchor bolts.
 3" Dia. Std. Pipe Rail



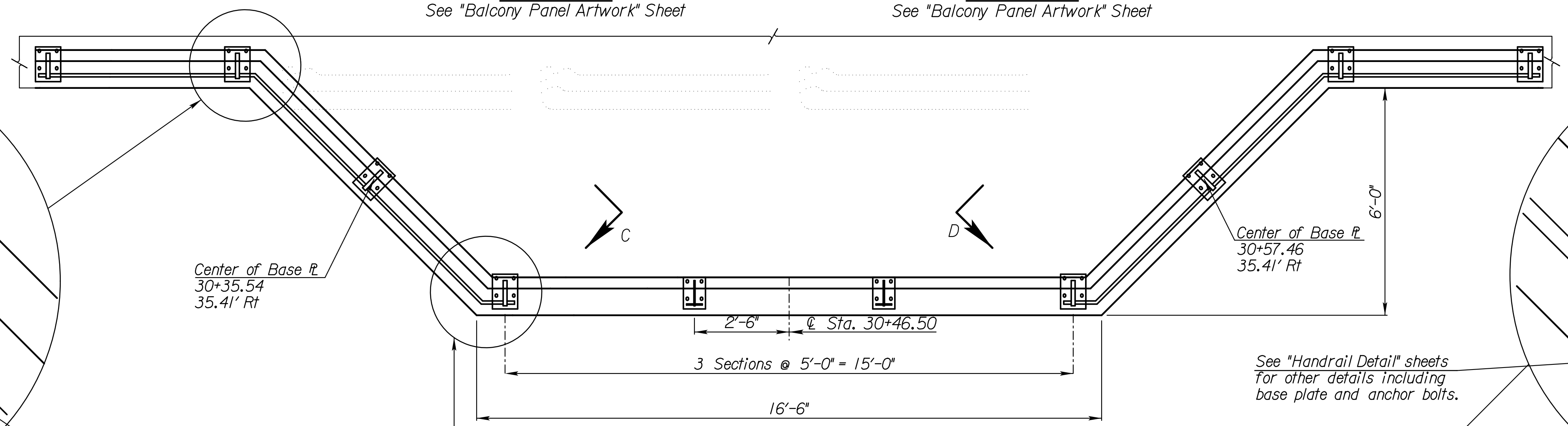
SECTION C-C
 See "Balcony Panel Artwork" Sheet



SECTION D-D
 See "Balcony Panel Artwork" Sheet



See "Handrail Detail" sheets
 for other details including
 base plate and anchor bolts.
 3" Dia. Std. Pipe Rail



HANDRAIL PLAN

See "Handrail Detail" sheets
 for other details including
 base plate and anchor bolts.
 3" Dia. Std. Pipe Rail