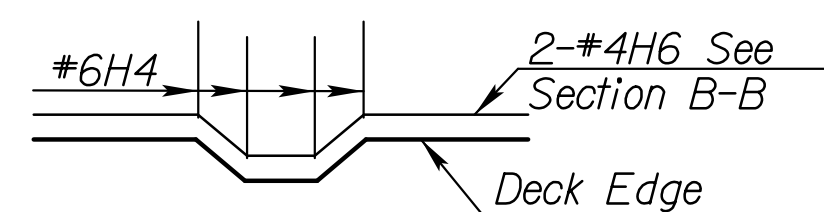
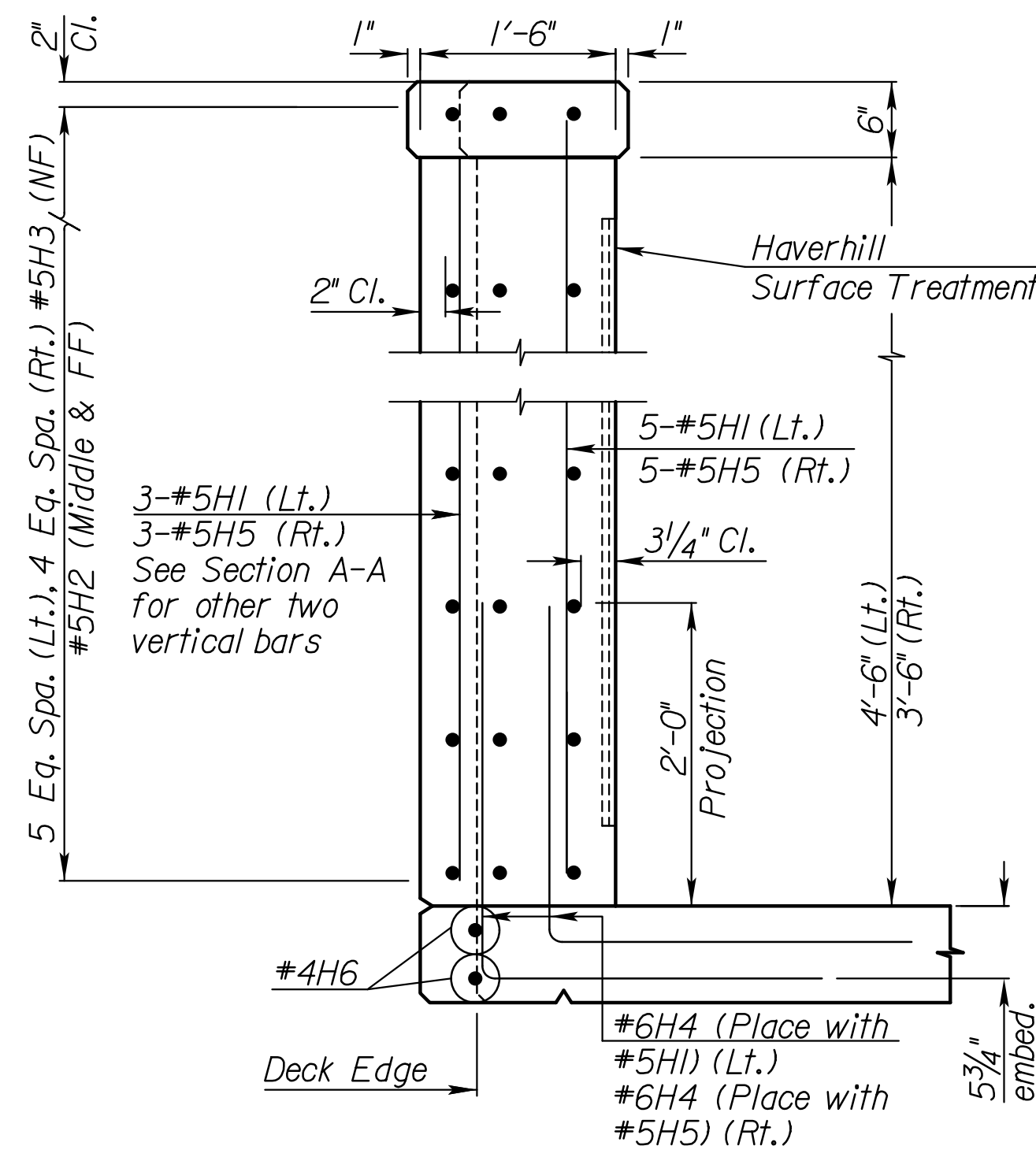


**INTERIOR PARAPET WALL ELEVATION**

(5 such Parapet Walls required on bridge proper along deck edge)  
(Metal Handrail not shown for clarity)



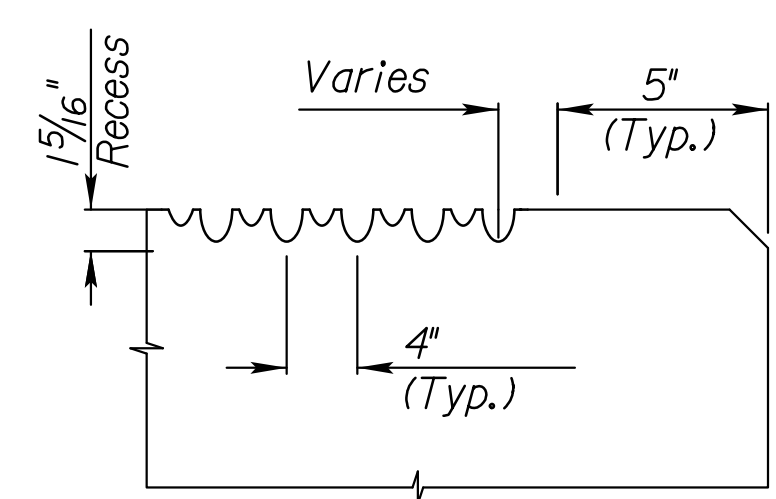
**DECK PROJECTION REINFORCEMENT**



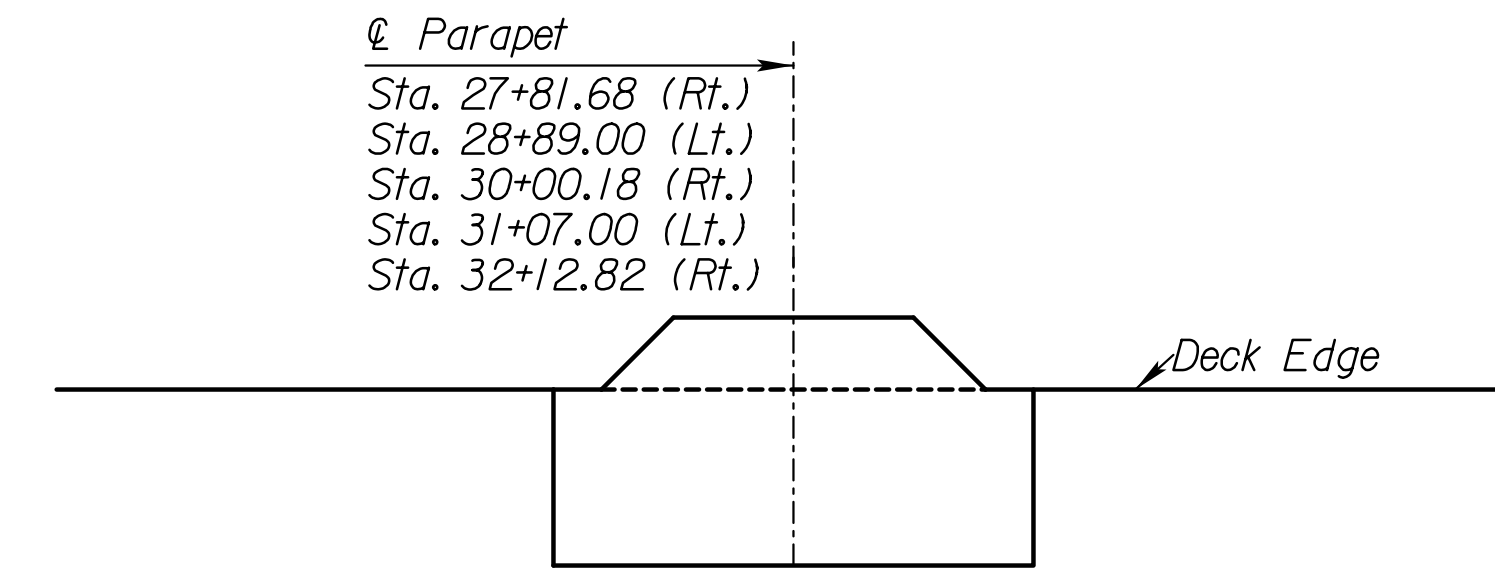
**SECTION B-B**

NOTE: Light Poles will be mounted on top of Interior Parapet Walls. Conduits and Anchor Bolts will be required in the Parapets at these locations. See lighting sheets.

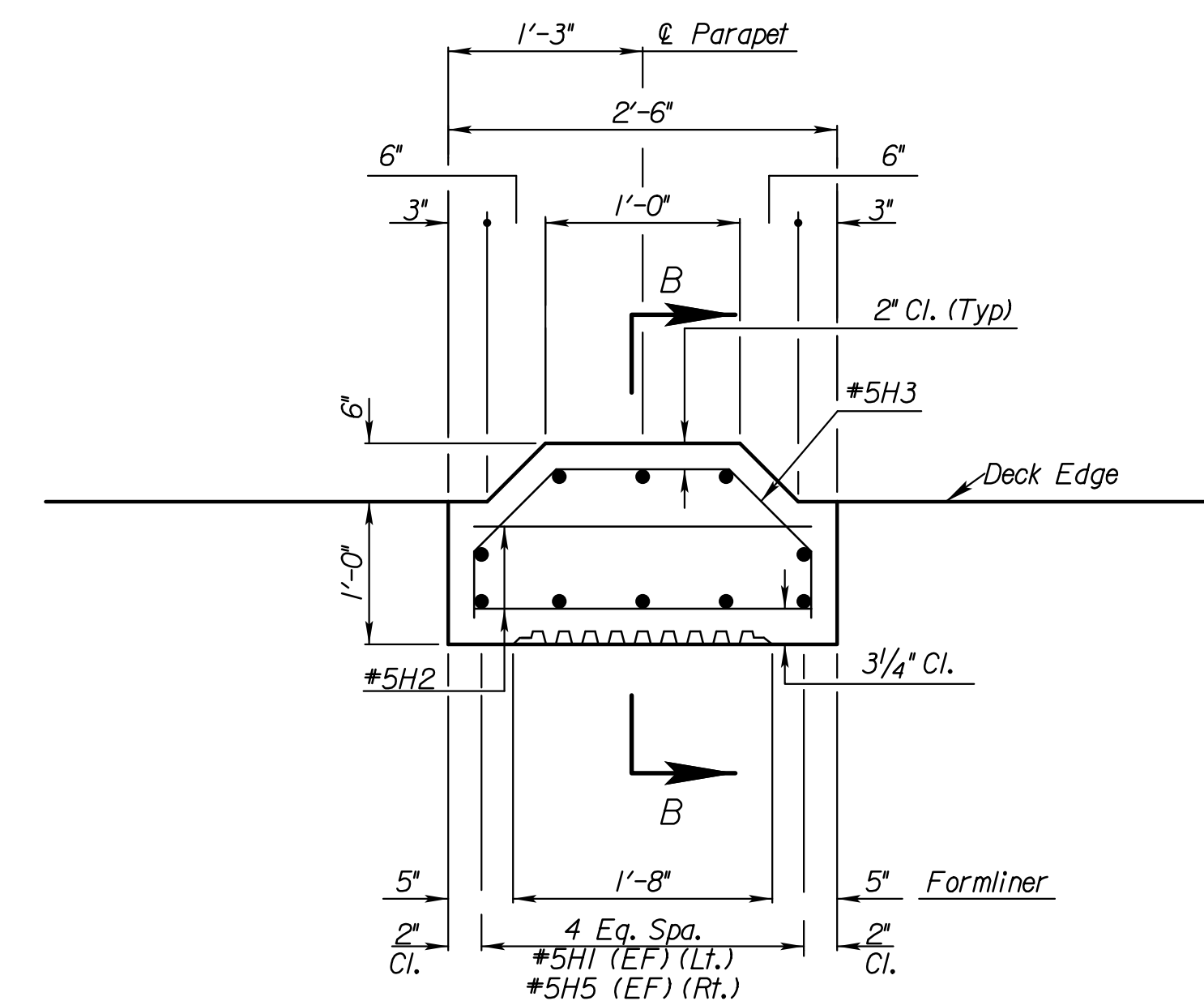
Anticipated bolt circle diameter is 1'-3 1/2" with 4-1 1/4" Ø bolts.



**HAVERHILL SURFACE TREATMENT DETAILS**



**DETAIL SHOWING MIDSPAN PARAPET LOCATIONS**



**SECTION A-A**

**NOTES:**

Use Concrete (Grade 4.0)(AE)(SA)(MPC) for all Parapet Walls

Use #705 Haverhill or equal (to be approved)

The labor and materials necessary to install the Haverhill Surface Treatment shall not be paid for directly but shall be subsidiary to "Concrete (Grade 4.0)(AE)(SA)(MPC)."

Bevel all exposed edges with a 3/4" triangular molding and fillet corners where indicated. All dimensions relative to placement of reinforcing steel are to centerline of bars unless otherwise noted.

**Coating (Concrete Surfaces):**

All exposed faces of Parapet Walls, Corral Rail (above sidewalk surface), and Concrete Safety Barrier shall be rubbed and grouted with an approved concrete masonry coating material to eliminate all staining and blemishes. See KDOT latest special provisions for "Concrete Masonry Coating" (subsidiary to "Concrete (Grade 4.0)(AE)(SA)(MPC).")

For Information Only:  
Coating = 706 sq. yds.

PREPARED BY  
  
 J. B. MOORE & ASSOCIATES, INC.  
 721 NORTH WACO  
 SUITE 200  
 WICHITA, KANSAS 67203  
 PHONE: 316-352-9333

CONSULTANTS:

AMIDON AVE. BRIDGE  
 AT ARKANSAS RIVER

WICHITA, KANSAS  
  
 CITY OF WICHITA

REVISIONS:	MARK	DATE	DESCRIPTION

PROJ NO: E1010-4025062  
 SCALE:  
 DATE: 07/08/2022  
 DESIGNED BY: JBM  
 DRAWN BY: JBM  
 CHECKED BY: WBS

SHEET TITLE:  
**PARAPET DETAILS**

SHEET NO.  
**62**  
 SHEET 62 OF 128