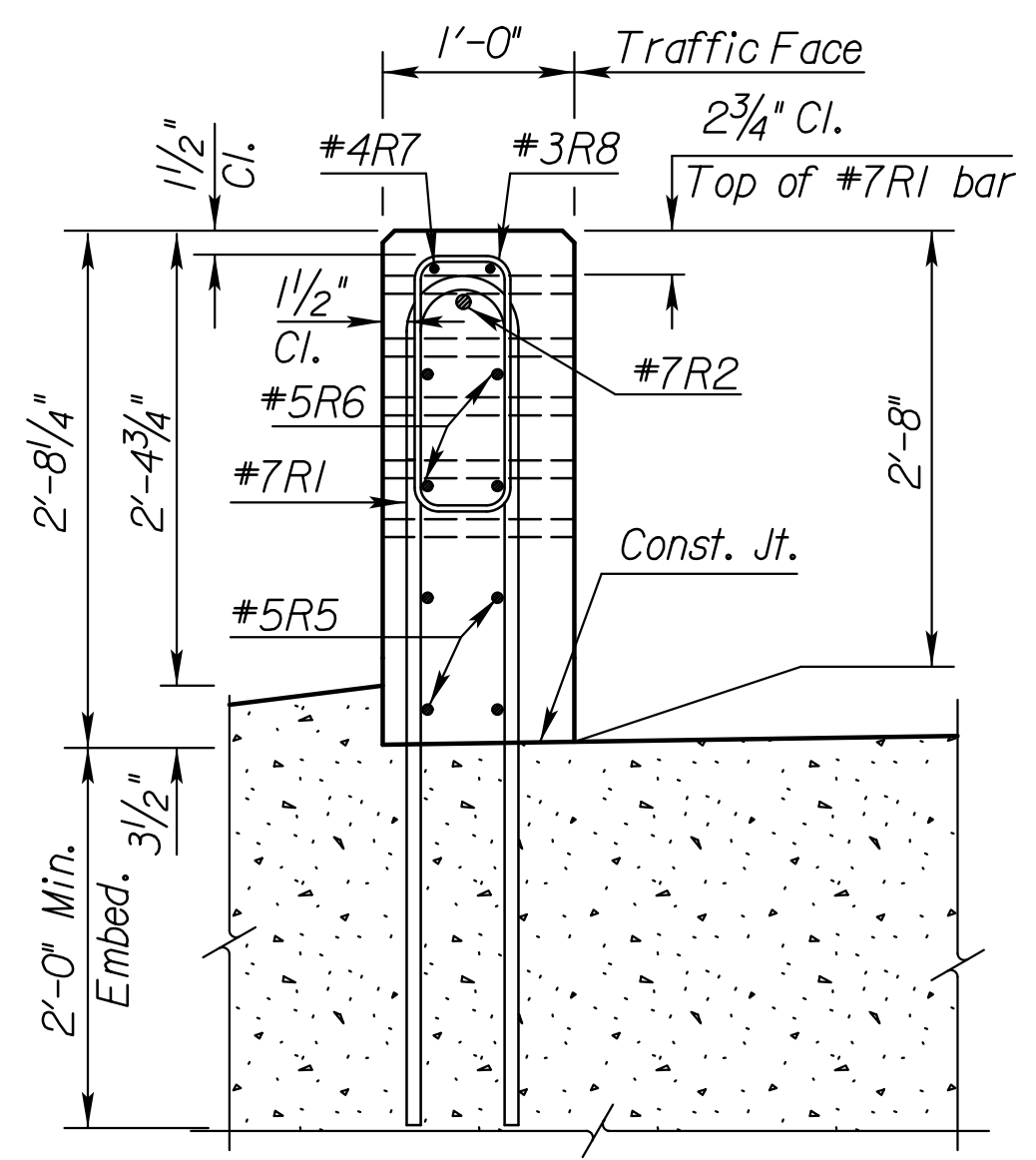
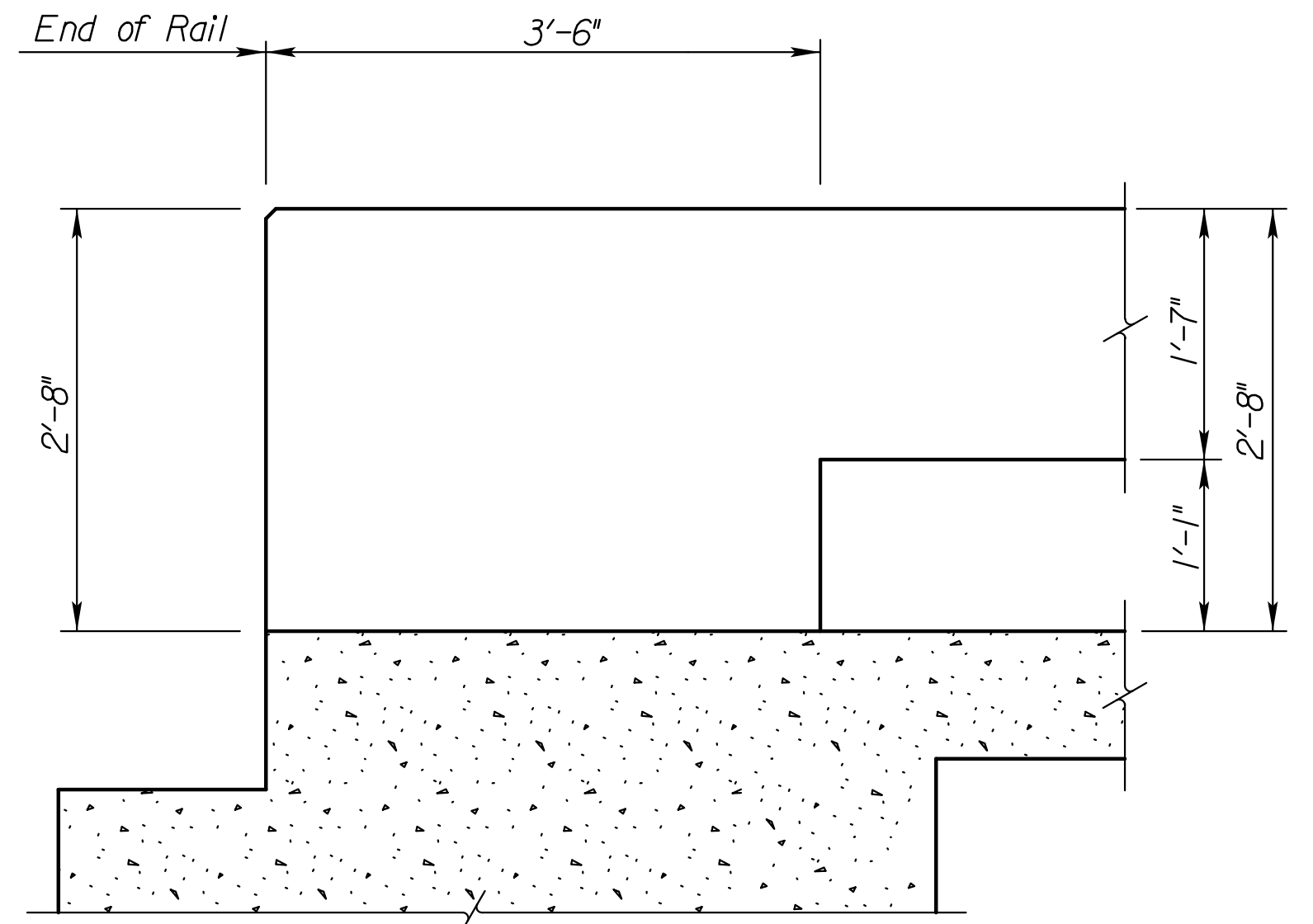


PARTIAL ELEVATION
(Along Traffic Face)

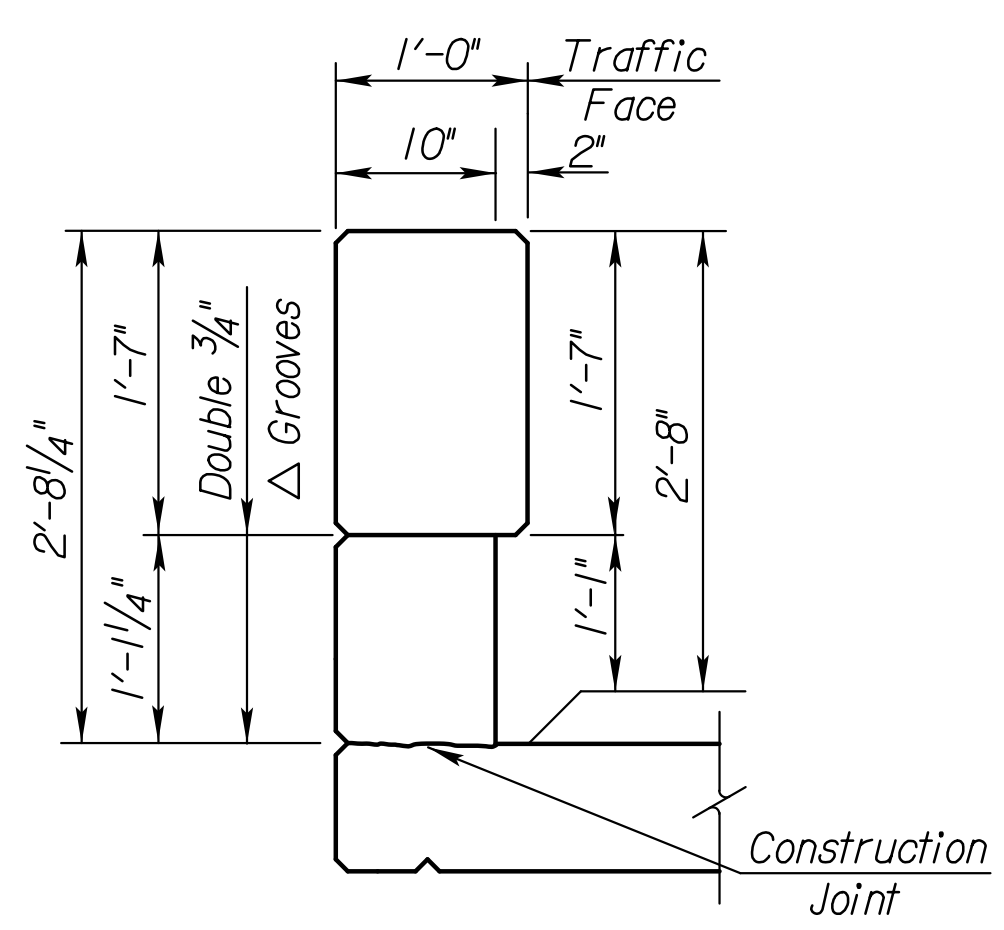


SECTION A-A

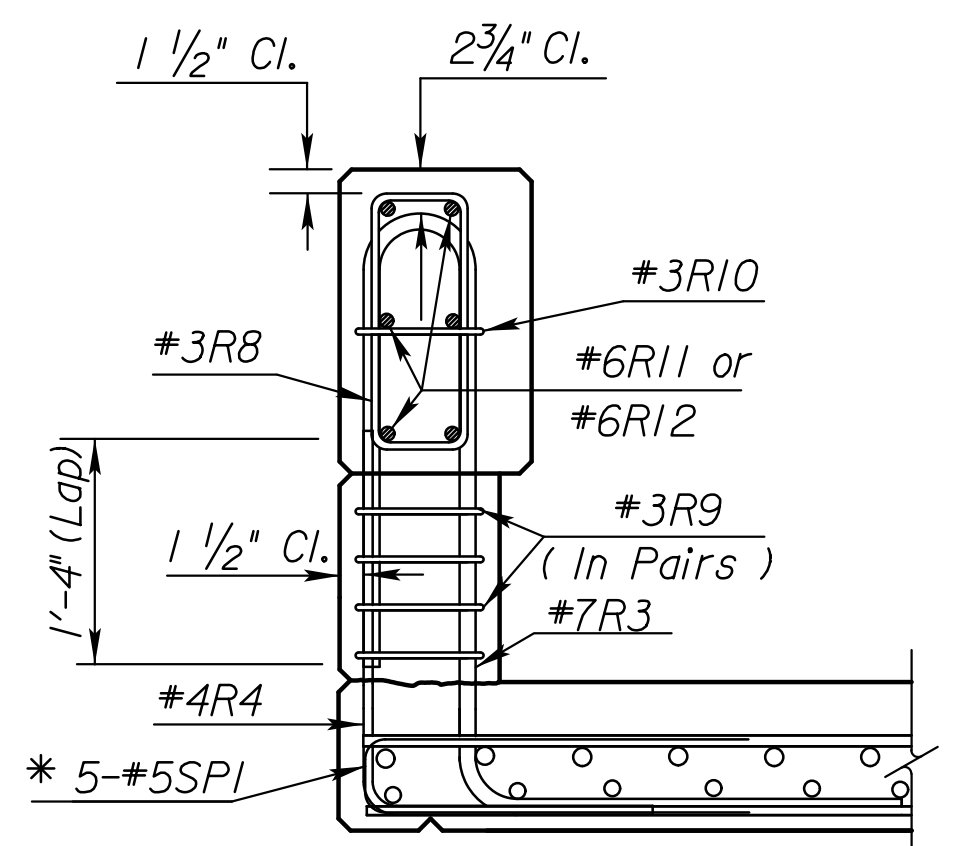


ELEVATION

(Dimensions at traffic face of rail.)

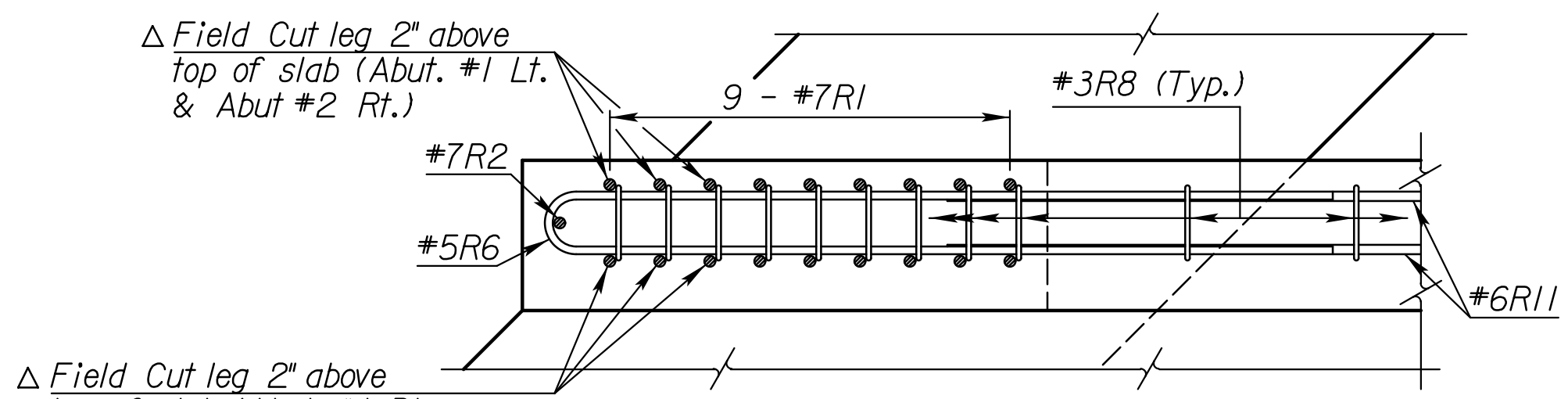


TYPICAL INTERIOR POST



SECTION THRU POST

* Note:
The hook may be canted
to provide clearance
and/or fit between
reinforcing.



SECTION B-B

CONSULTANTS:

AMIDON AVE. BRIDGE
AT ARKANSAS RIVER
WICHITA, KANSAS
CITY OF WICHITA

REVISIONS:	MARK	DATE	DESCRIPTION

PROJ NO: E1010-4025062
SCALE:
DATE: 07/08/2022
DESIGNED BY: JBM
DRAWN BY: JBM
CHECKED BY: WBS

SHEET TITLE:
**CORRAL RAIL
DETAILS**

SHEET NO.
65
SHEET **65** OF 128