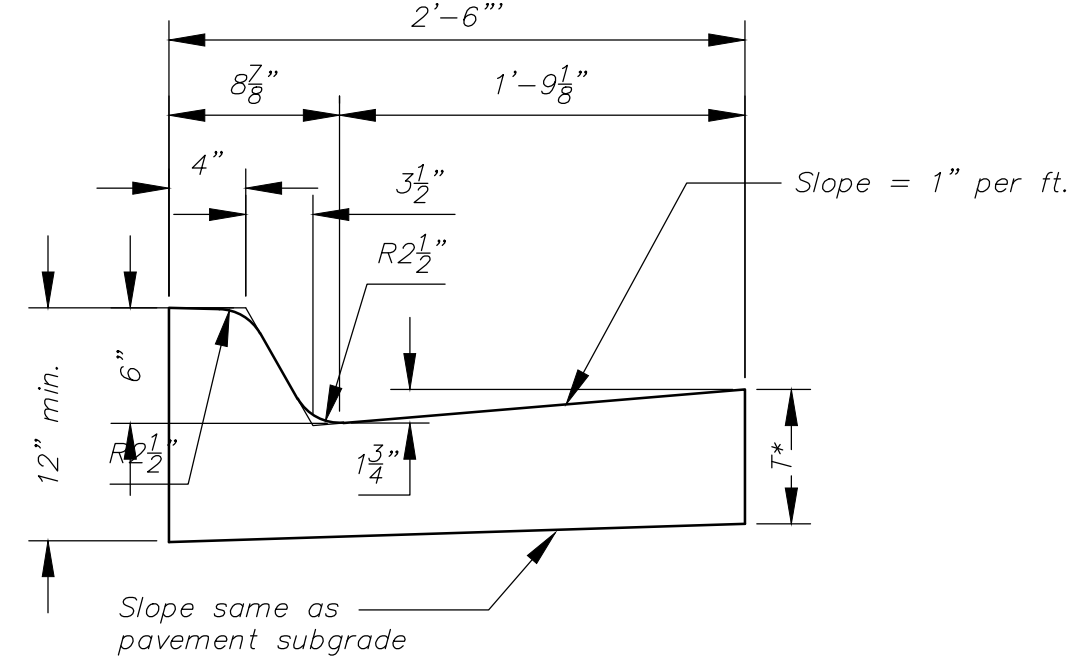
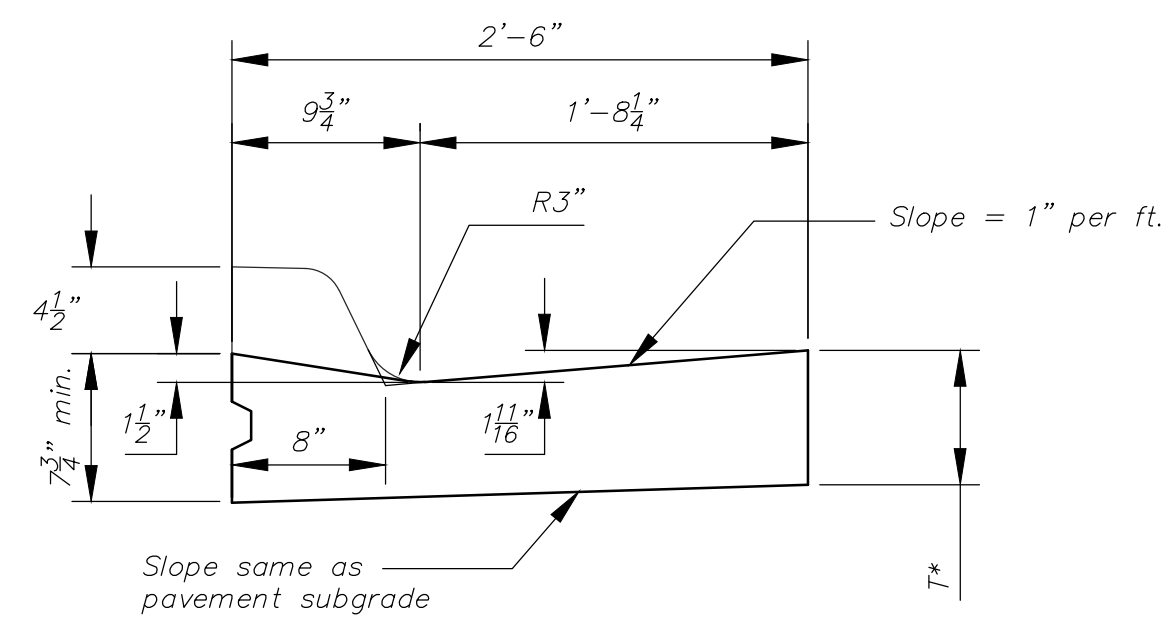


TYPE 1
(Arterial curb)

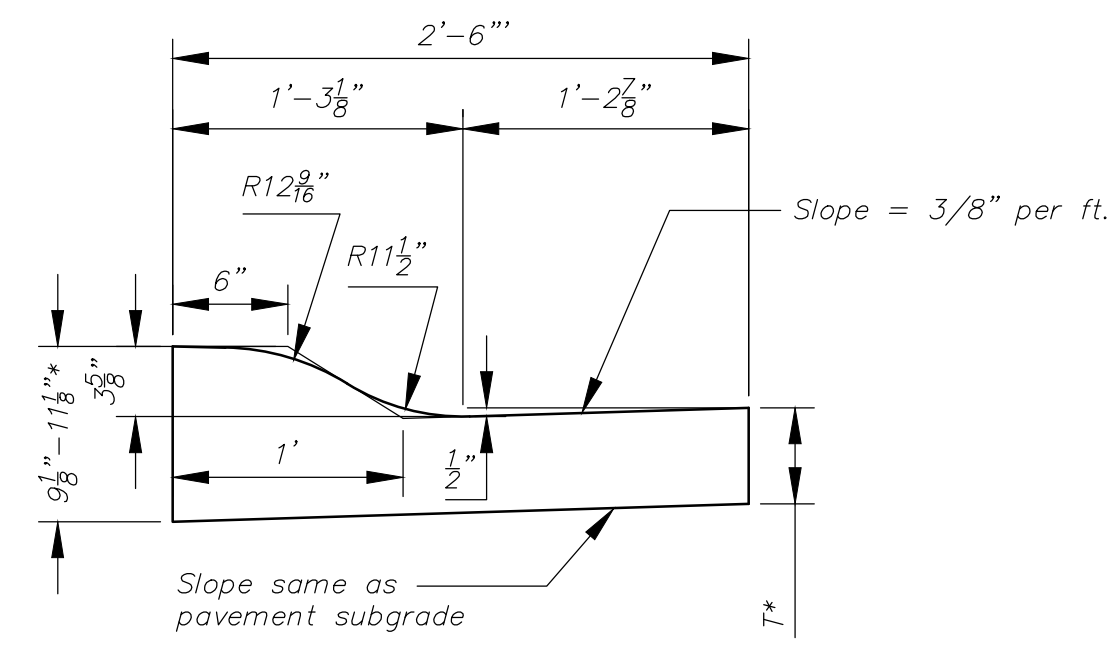


Combined Curb & Gutter (6")

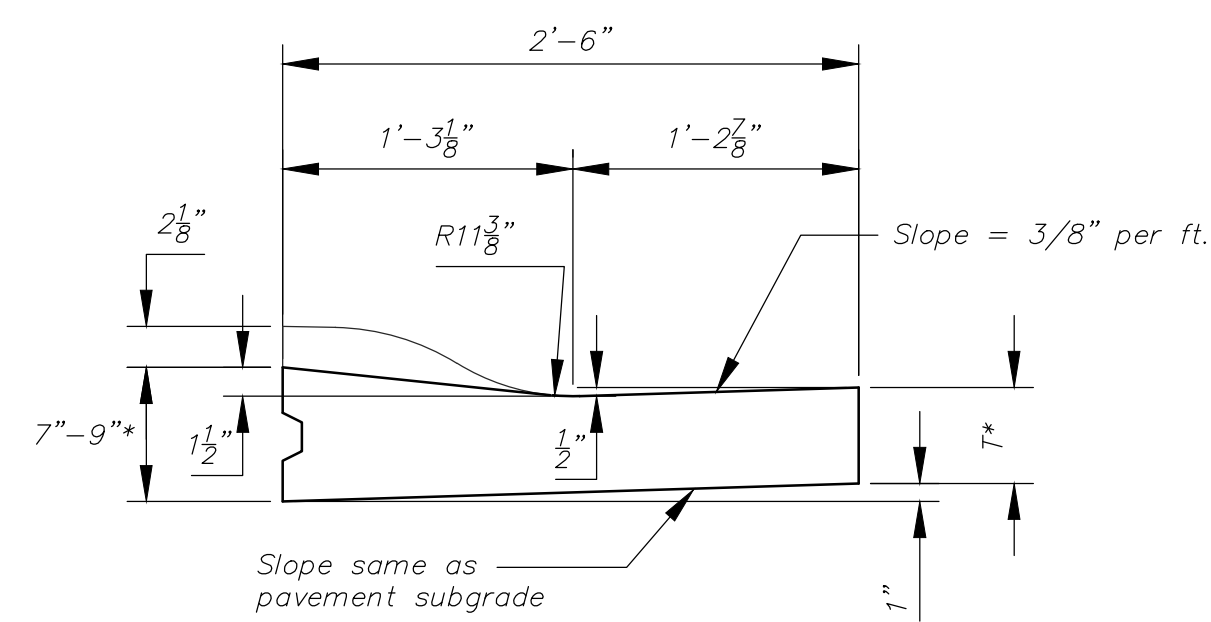


Combined Curb & Gutter (1 1/2")

TYPE 2
(Roll curb)

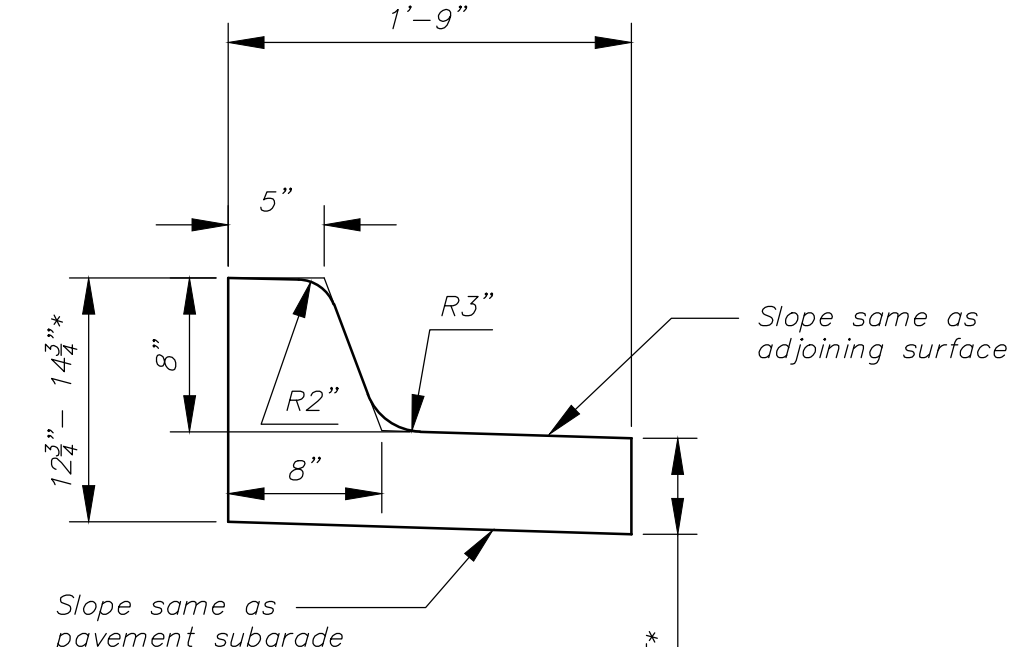


Combined Curb & Gutter (3 5/8")

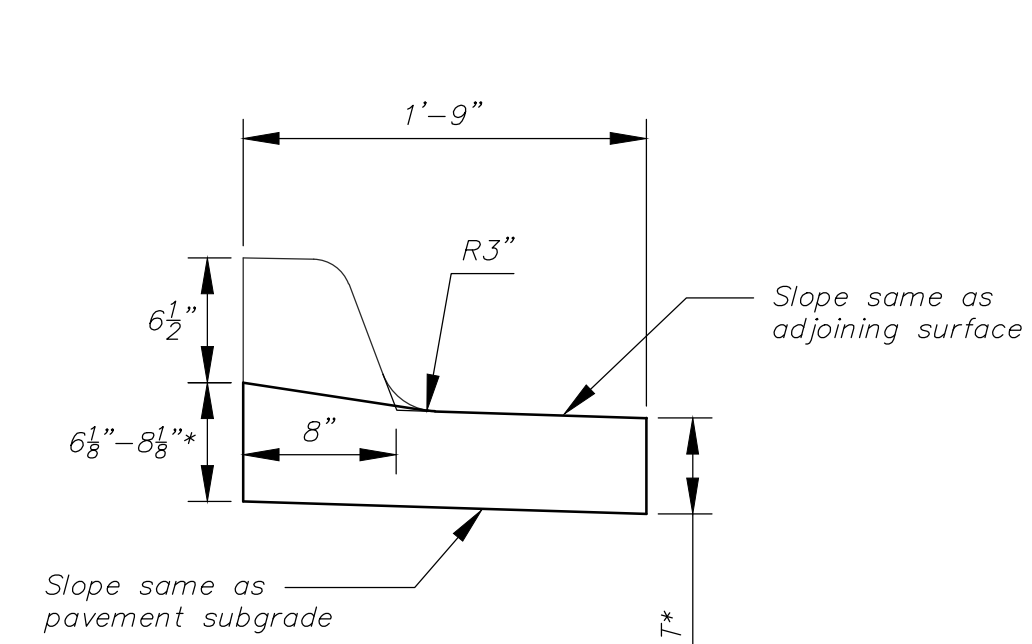


Combined Curb & Gutter (1 1/2")

TYPE 3
(Median curb)

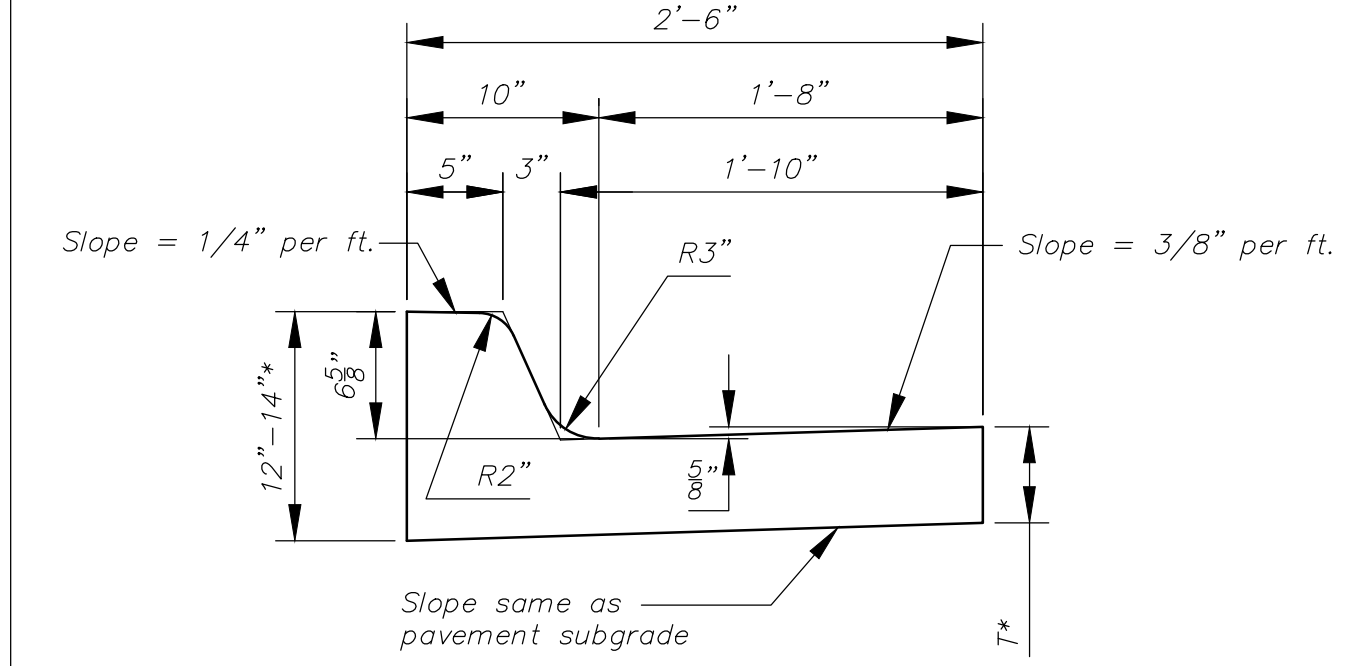


Combined Curb & Gutter (8")

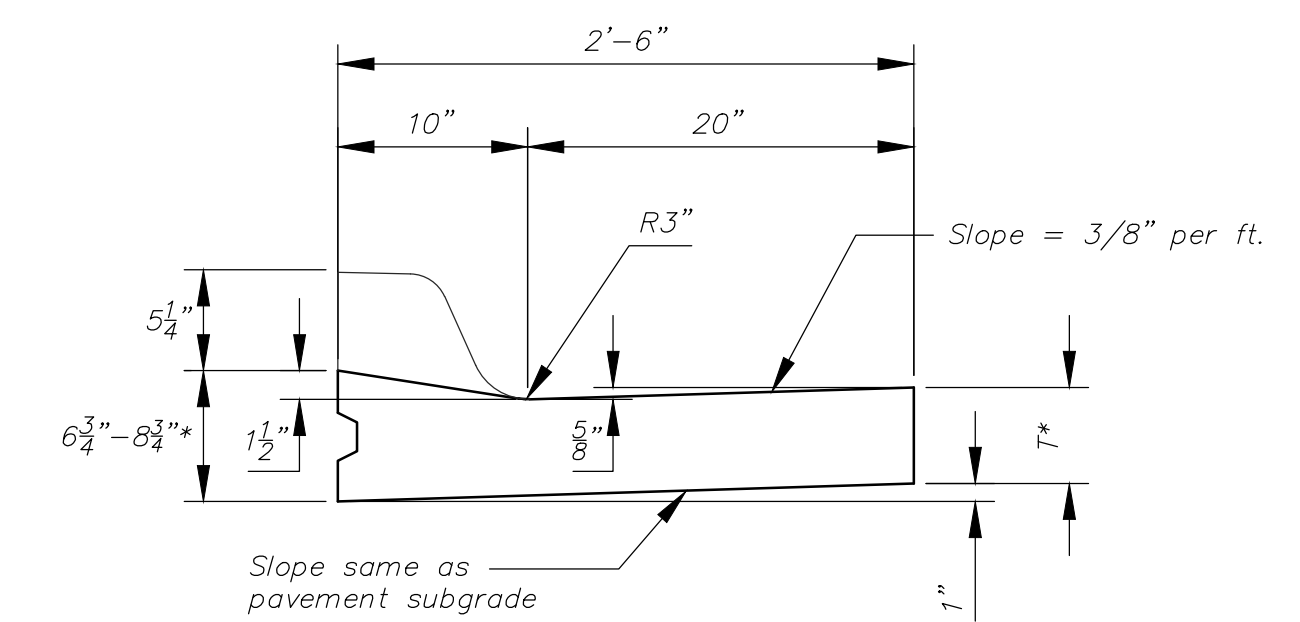


Combined Curb & Gutter (1 1/2")

TYPE 4
(Residential curb)



Combined Curb & Gutter (6 5/8")

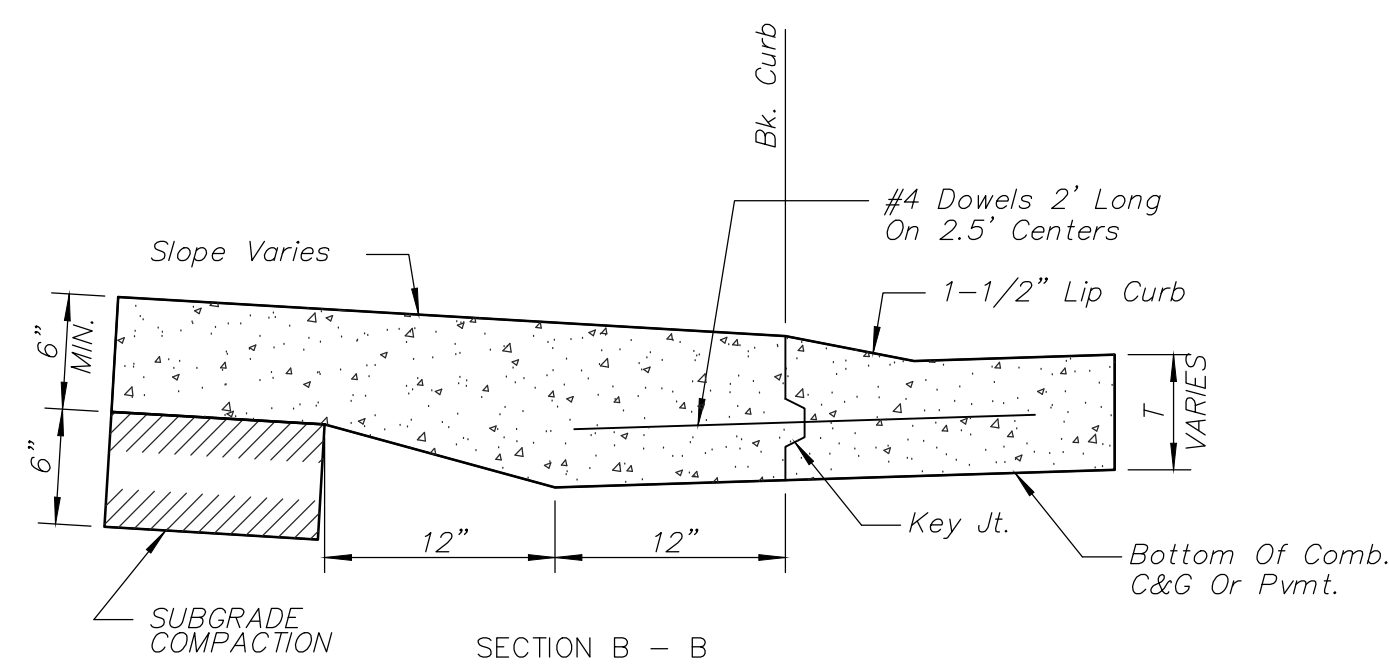


Combined Curb & Gutter (1 1/2")

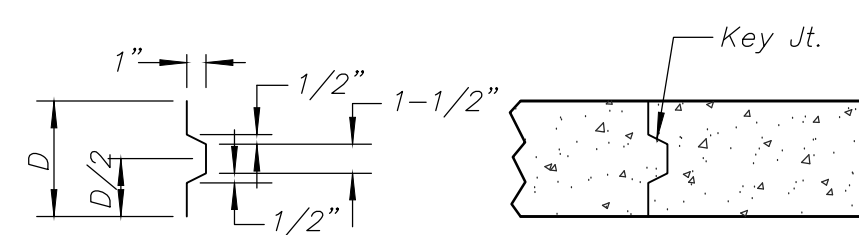
T* = Thickness of curb to adjust with pavement thickness

GENERAL NOTES

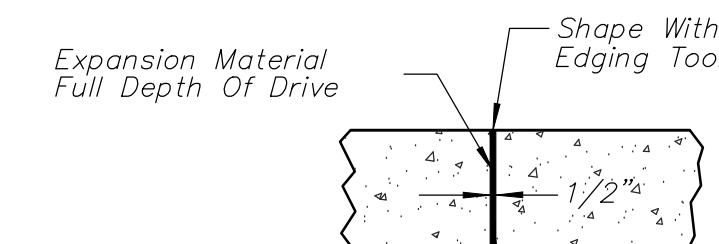
- Expansion (isolation) joints shall be constructed a maximum of 300' apart and at all Pls, PCs, cul-de-sac quadrants, and ends of returns.
- Contraction joints shall be constructed a minimum of 12' apart.
- Joint sealer shall be required at all joints on arterial and industrial streets and at intersections on residential streets.



BACK OF CURB DETAIL



ALT. LONGITUDINAL CONSTRUCTION JOINT



EXPANSION JOINT (E.J.)



CURB & GUTTER DETAILS		
CITY ENGINEER JAMES L. ARMOUR, P.E., L.S.		
PROJECT NUMBER XXX-XXXX	OCA NUMBER XXXXXX	DATE -- --
CITY ENGINEER'S OFFICE CITY HALL - SEVENTH FLOOR 455 NORTH MAIN STREET WICHITA, KANSAS 67202-1620 (316) 268-4501		DESIGN DRAWN
		SHEET 14 of 45