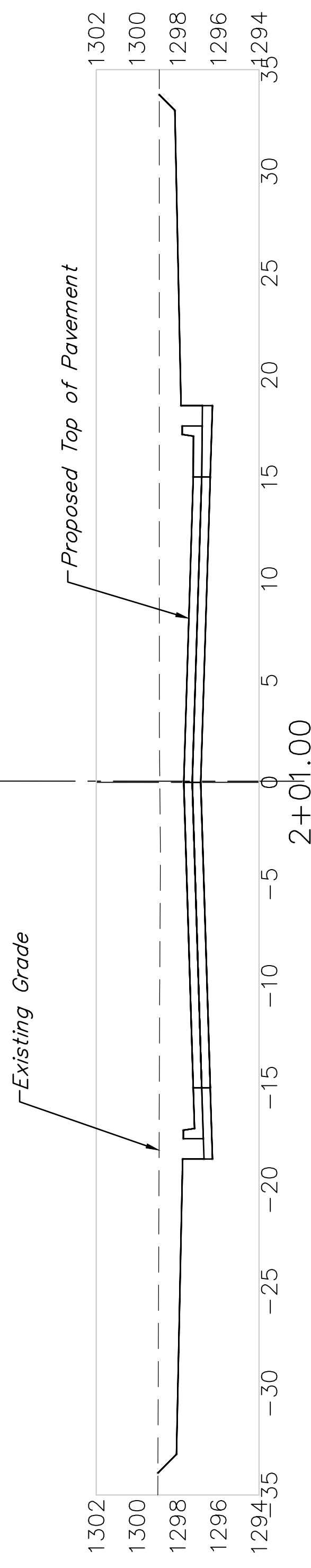
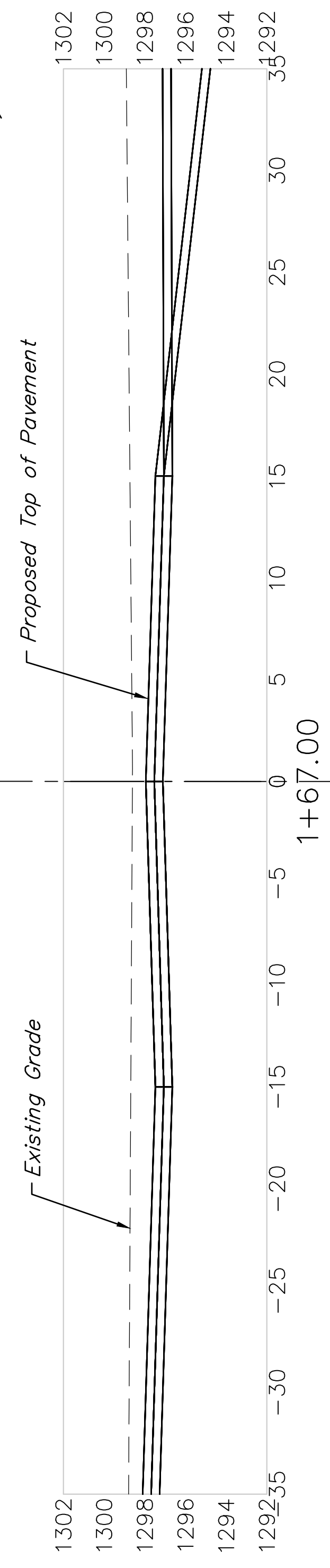


$EXC = 225.08$ C.Y.
 $LF = 0.00$ C.Y.
 $CF = 0.00$ C.Y.
 49.00'



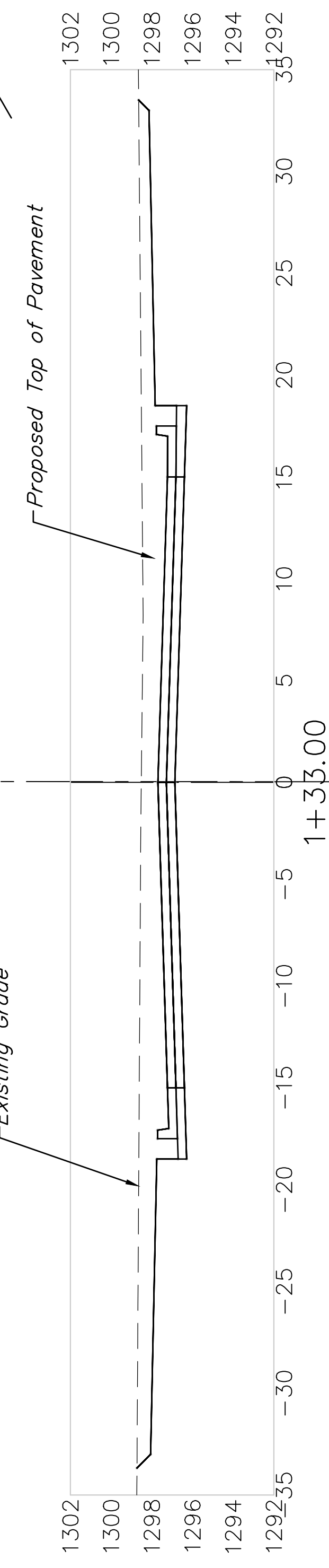
2+01.00

$EXC = 165.53$ C.Y.
 $LF = 0.00$ C.Y.
 $CF = 0.00$ C.Y.
 34.00'



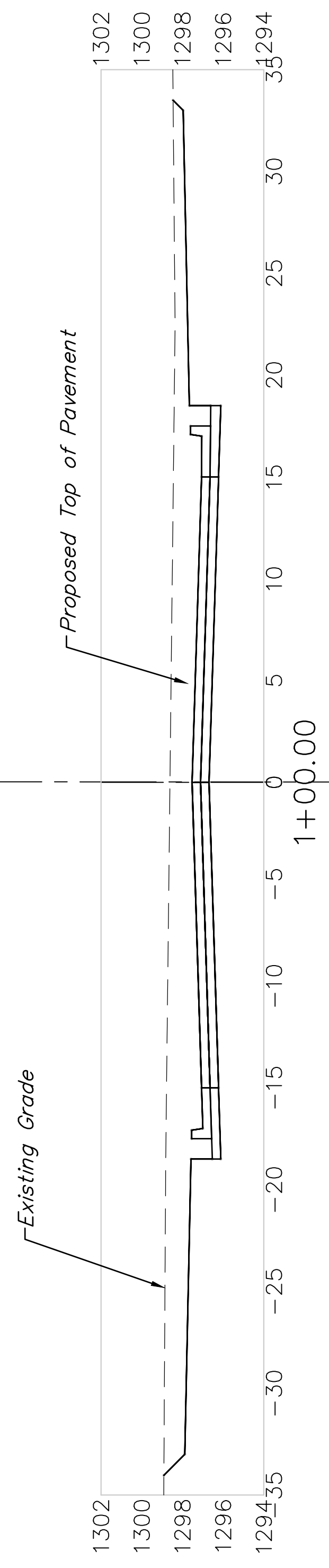
1+67.00

$EXC = 154.15$ C.Y.
 $LF = 0.07$ C.Y.
 $CF = 0.00$ C.Y.
 34.00'



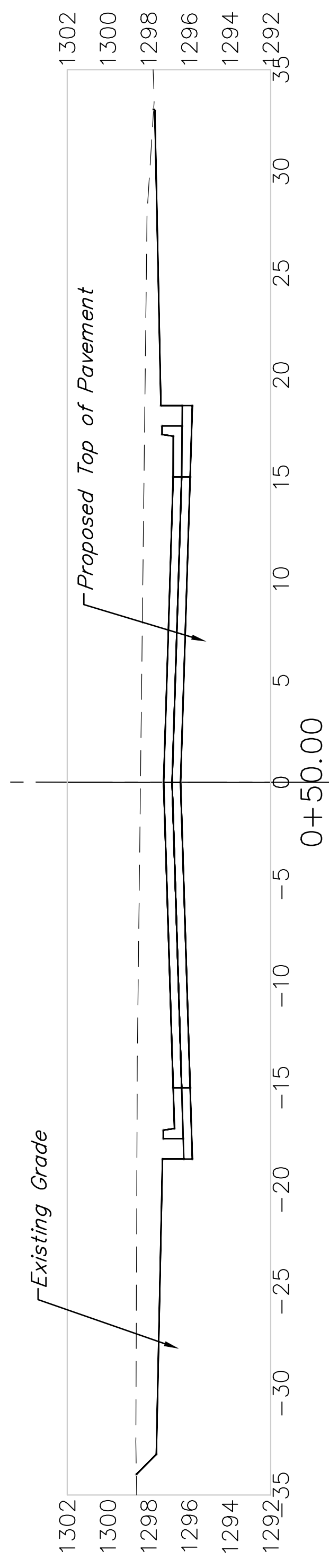
1+33.00

$EXC = 124.92$ C.Y.
 $LF = 0.07$ C.Y.
 $CF = 0.00$ C.Y.
 33.00'



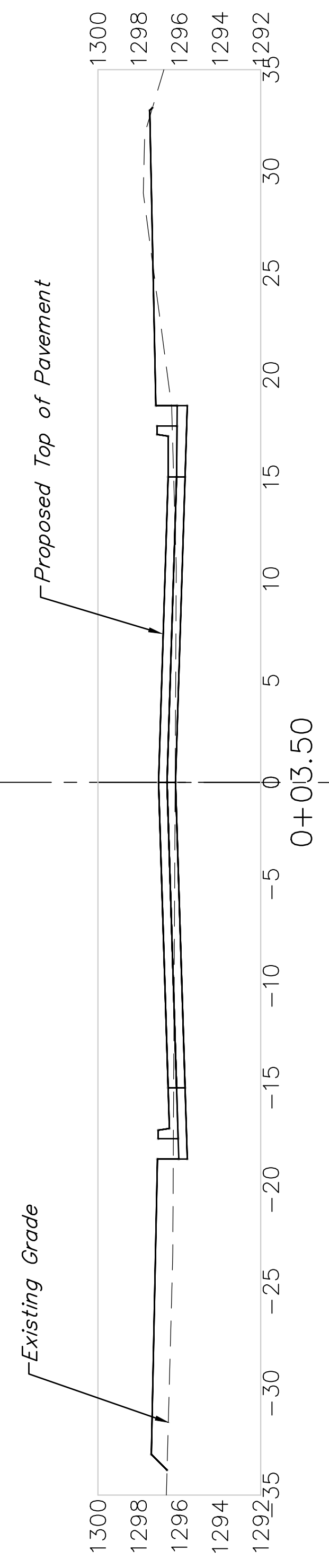
1+00.00

$EXC = 199.30$ C.Y.
 $LF = 0.10$ C.Y.
 $CF = 0.00$ C.Y.
 50.00'



0+50.00

$EXC = 105.25$ C.Y.
 $LF = 12.88$ C.Y.
 $CF = 0.00$ C.Y.
 46.50'



0+03.50

Daris

