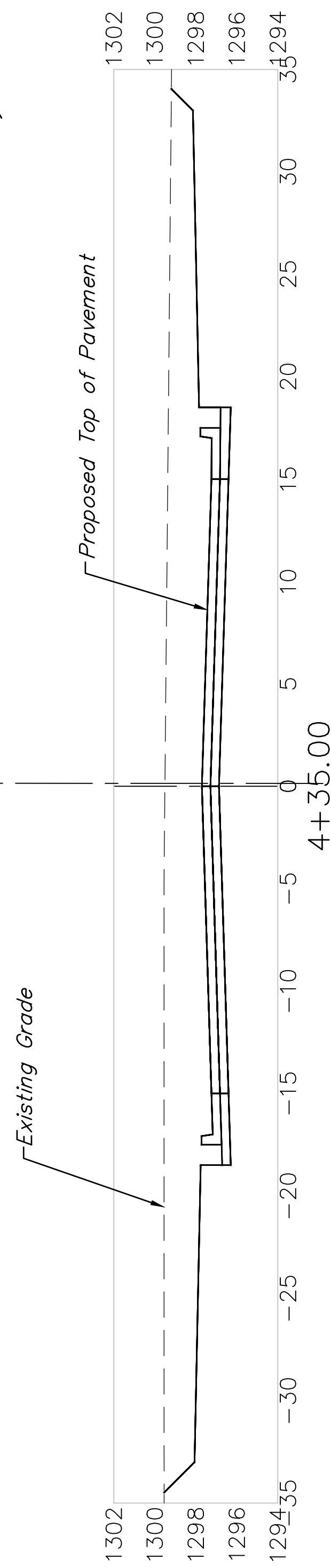
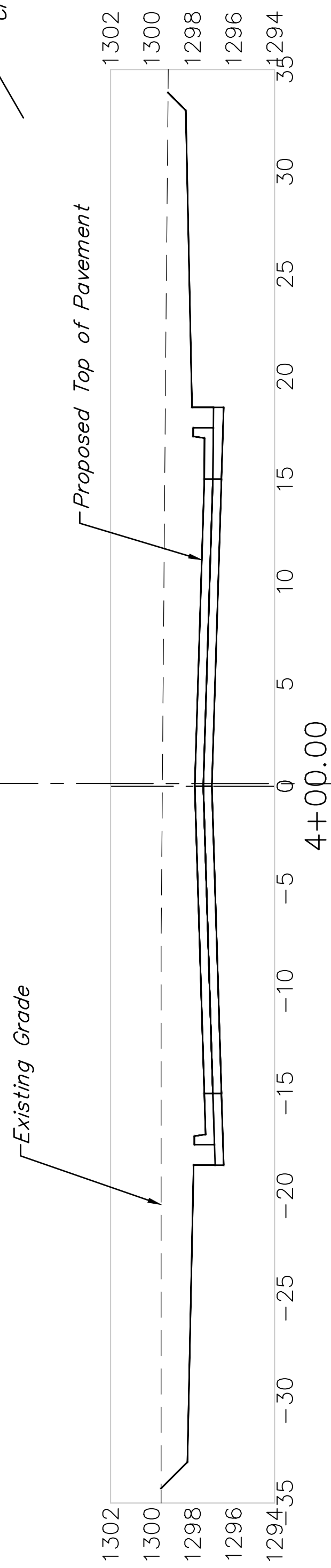


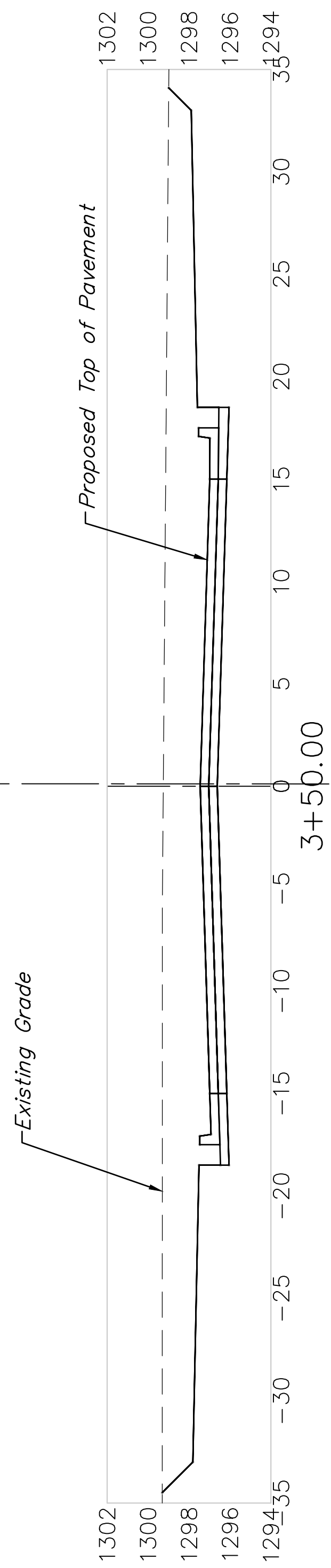
$EXC = 231.98$ C.Y.
 $LF = 0.00$ C.Y.
 $CF = 0.00$ C.Y.



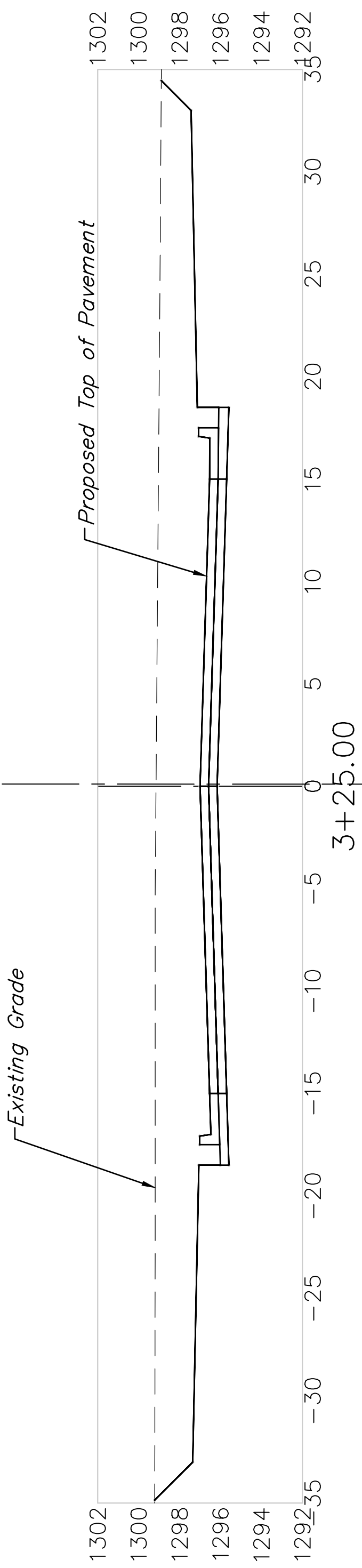
$EXC = 187.58$ C.Y.
 $LF = 0.00$ C.Y.
 $CF = 0.00$ C.Y.



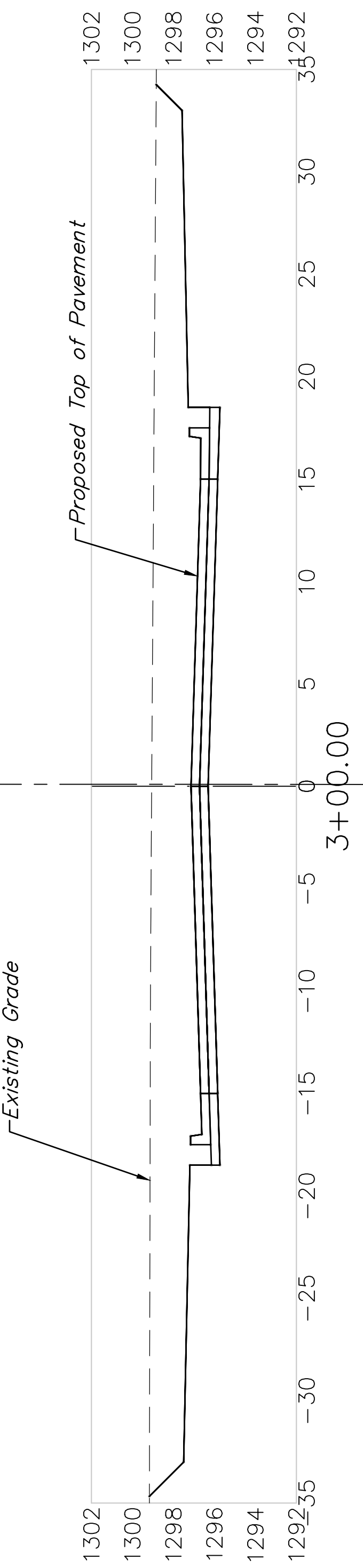
$EXC = 268.13$ C.Y.
 $LF = 0.00$ C.Y.
 $CF = 0.00$ C.Y.



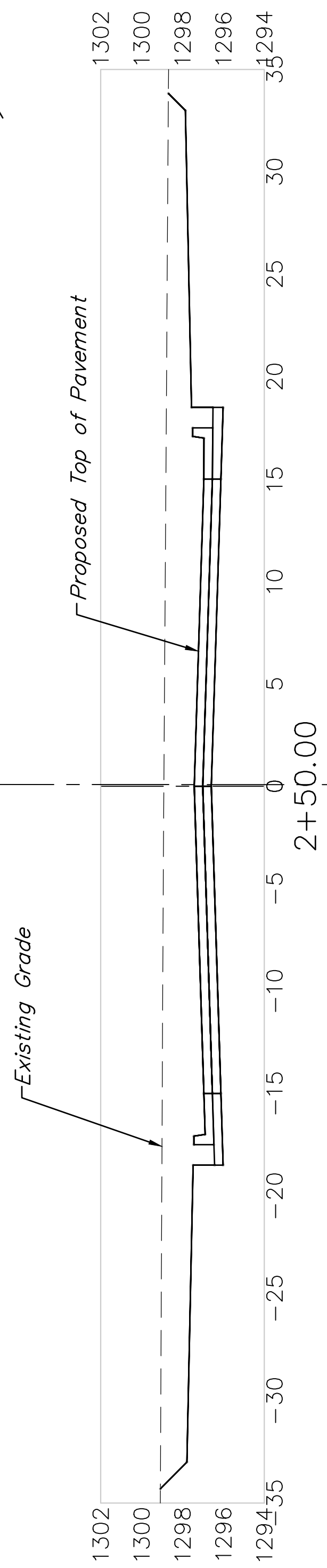
$EXC = 152.06$ C.Y.
 $LF = 0.00$ C.Y.
 $CF = 0.00$ C.Y.



$EXC = 156.53$ C.Y.
 $LF = 0.00$ C.Y.
 $CF = 0.00$ C.Y.



$EXC = 273.00$ C.Y.
 $LF = 0.00$ C.Y.
 $CF = 0.00$ C.Y.



Doris Q

