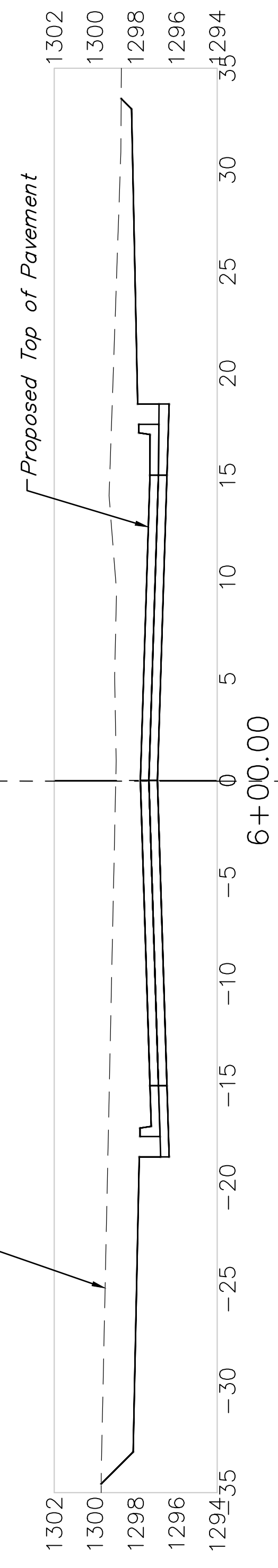


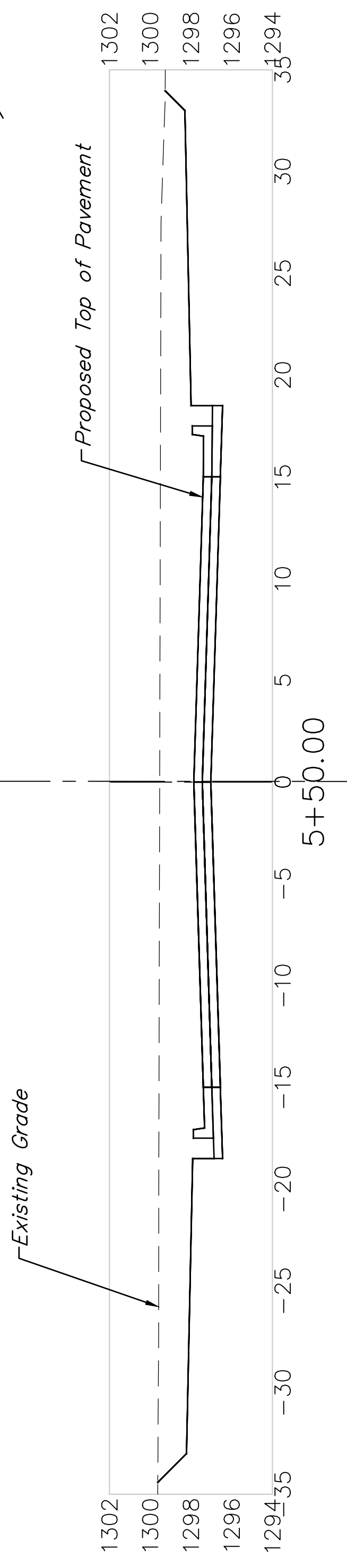
$EXC = 55.48$ C.Y.
 $LF = 1.17$ C.Y.
 $CF = 0.00$ C.Y.

18.84'



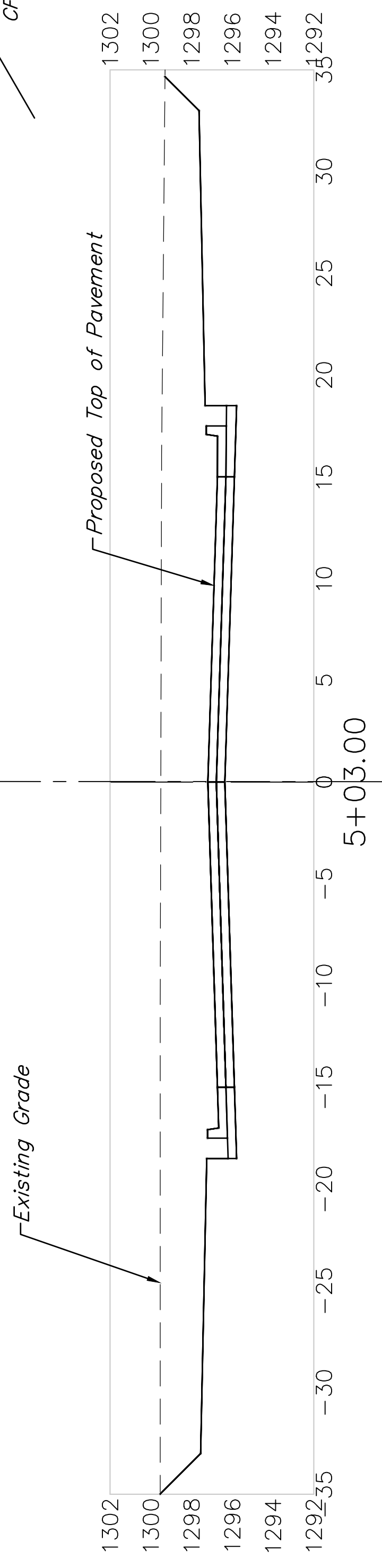
$EXC = 253.51$ C.Y.
 $LF = 0.00$ C.Y.
 $CF = 0.00$ C.Y.

50.00'



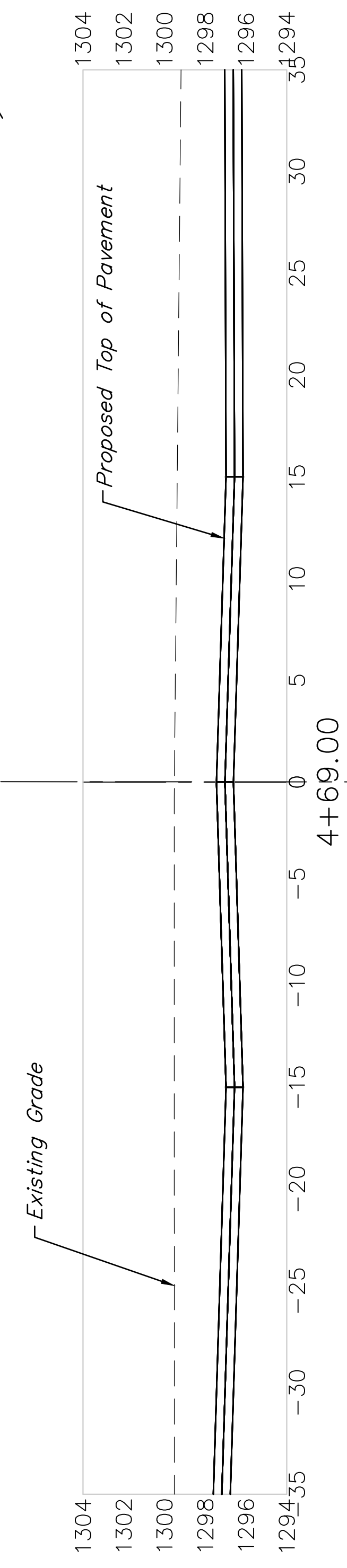
$EXC = 291.37$ C.Y.
 $LF = 0.00$ C.Y.
 $CF = 0.00$ C.Y.

47.00'



$EXC = 255.16$ C.Y.
 $LF = 0.00$ C.Y.
 $CF = 0.00$ C.Y.

34.00'



Doris
Q1