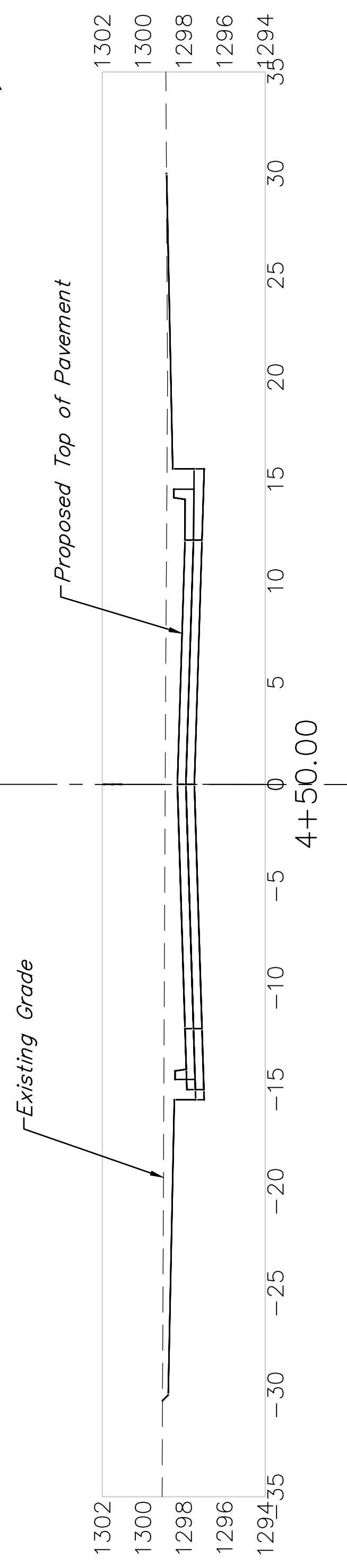


$\nabla$  21.03'  
 EXC = 51.92 C.Y.  
 LF = 0.00 C.Y.  
 CF = 0.00 C.Y.



Doris Ct (Lots 10 through 25, Block B)