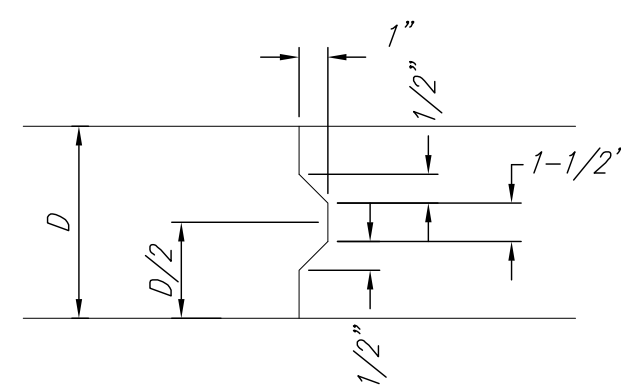
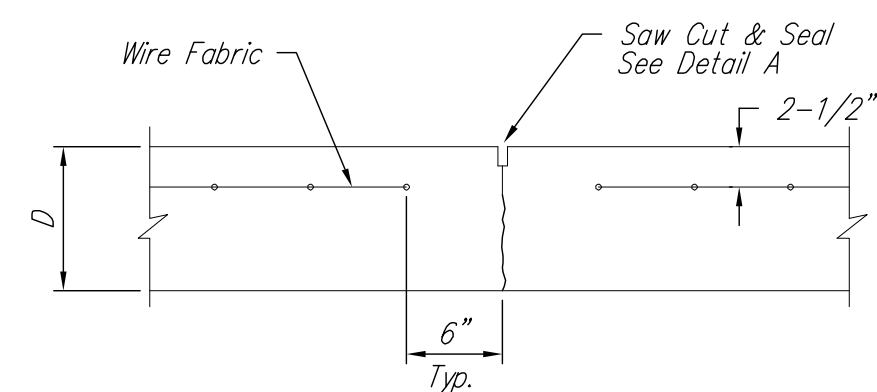


EXPANSION JOINT

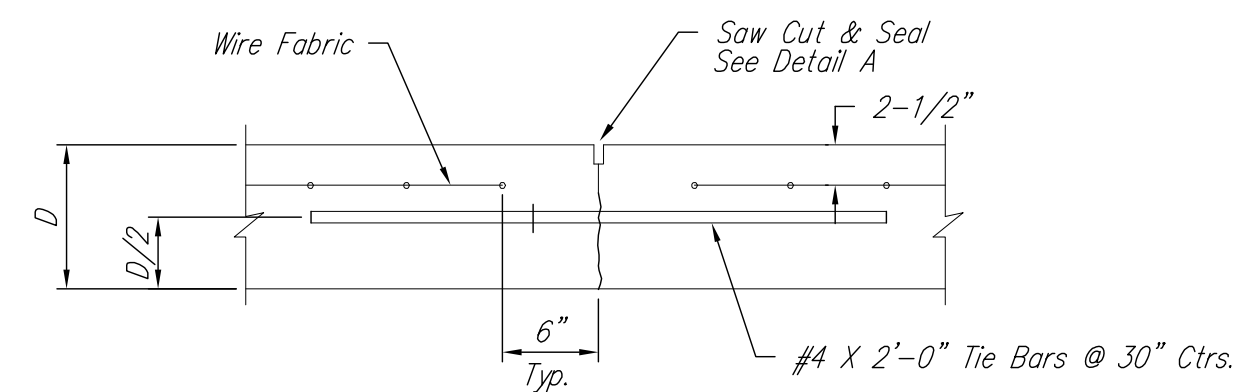
NOTE: Extra Thickness to be Subsidiary to Price of Square Yards Pavement



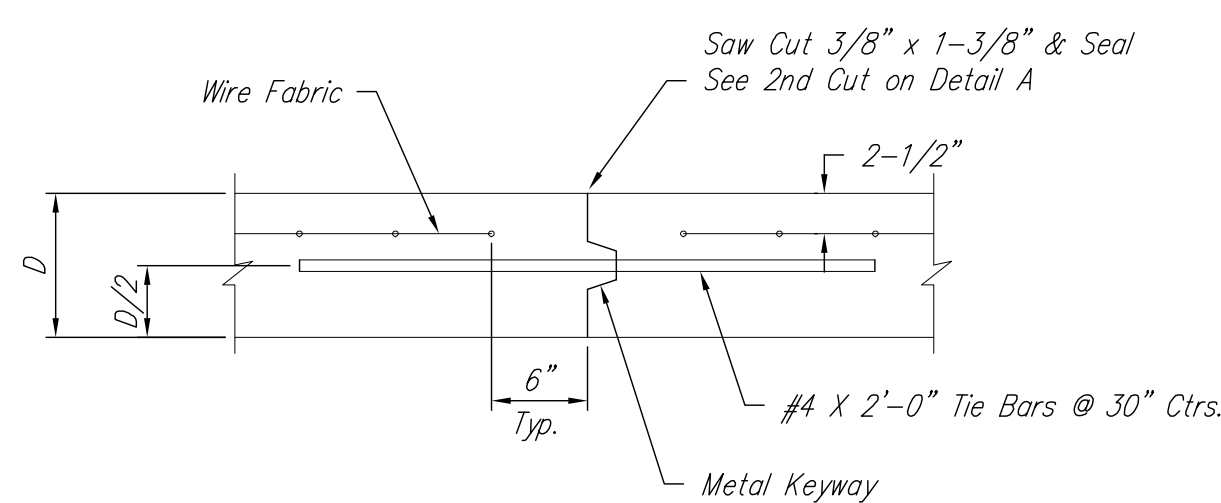
KEYWAY DETAIL



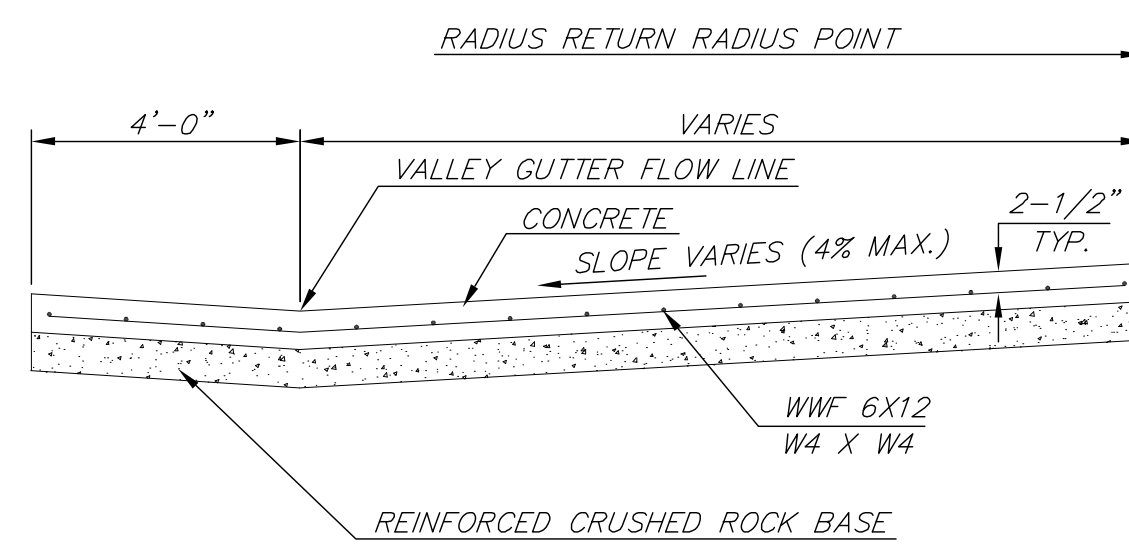
CONTRACTION JOINT DETAIL (C.J.)



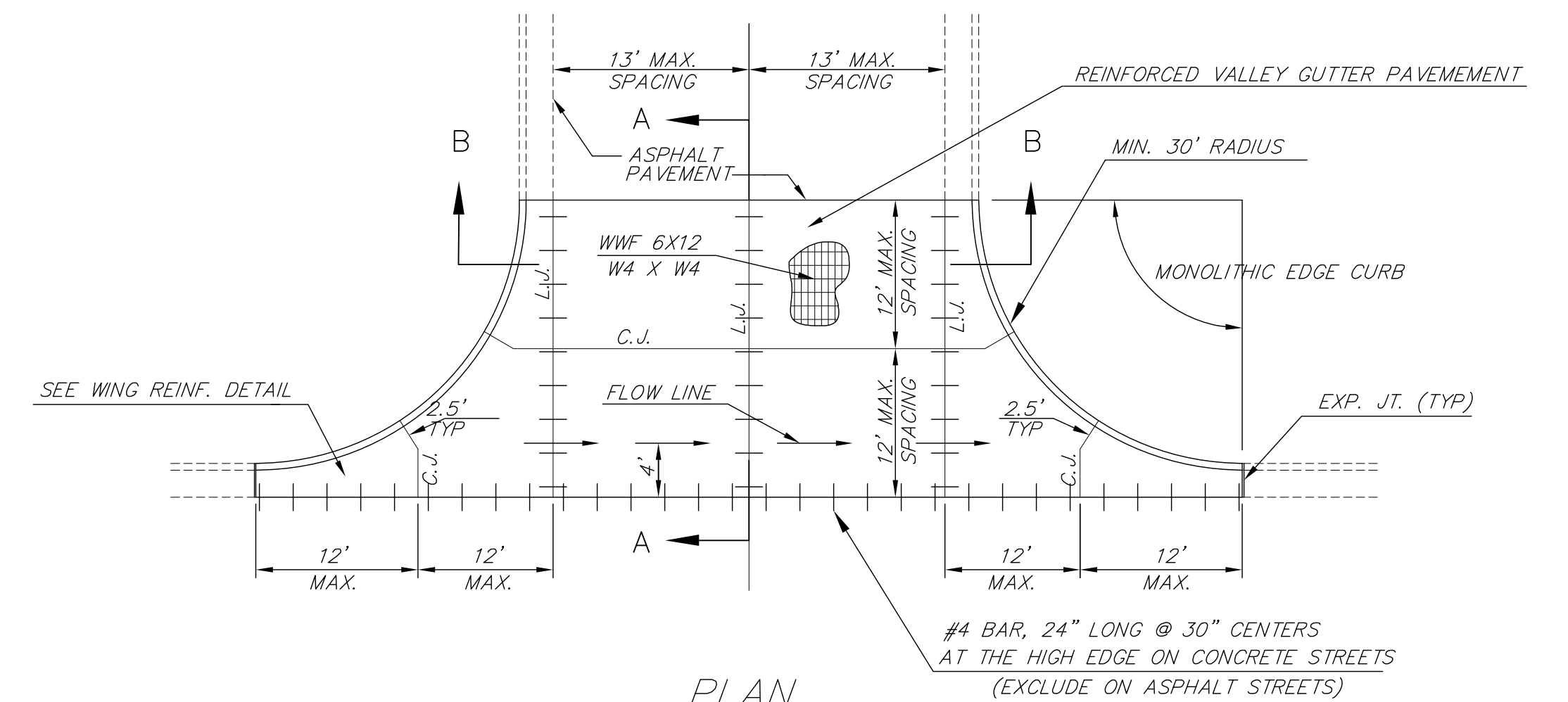
LONGITUDINAL JOINT DETAIL (L.J.)



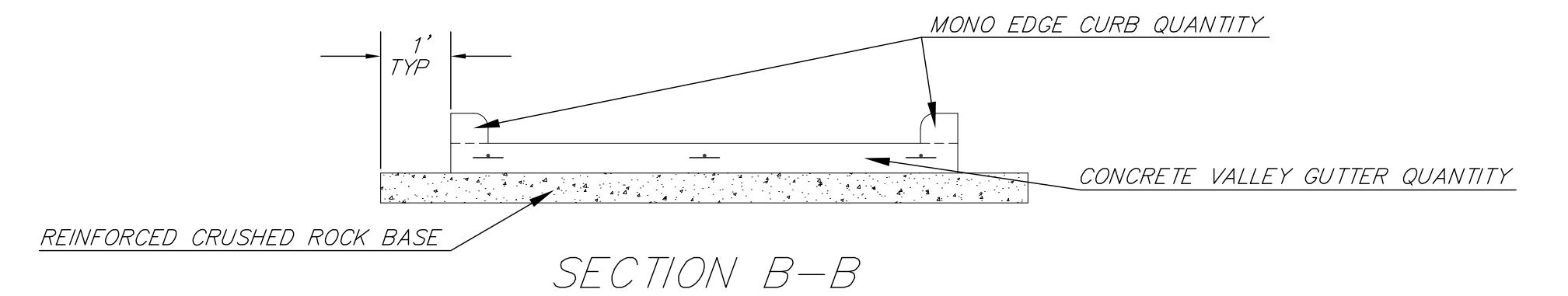
OPTIONAL LONGITUDINAL JOINT DETAIL (L.J.)



SECTION A-A

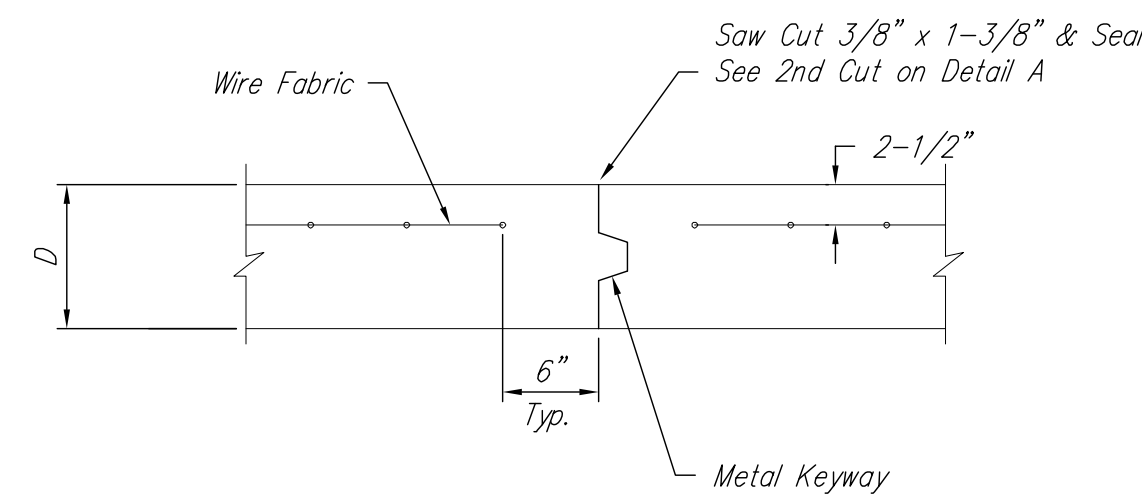


PLAN

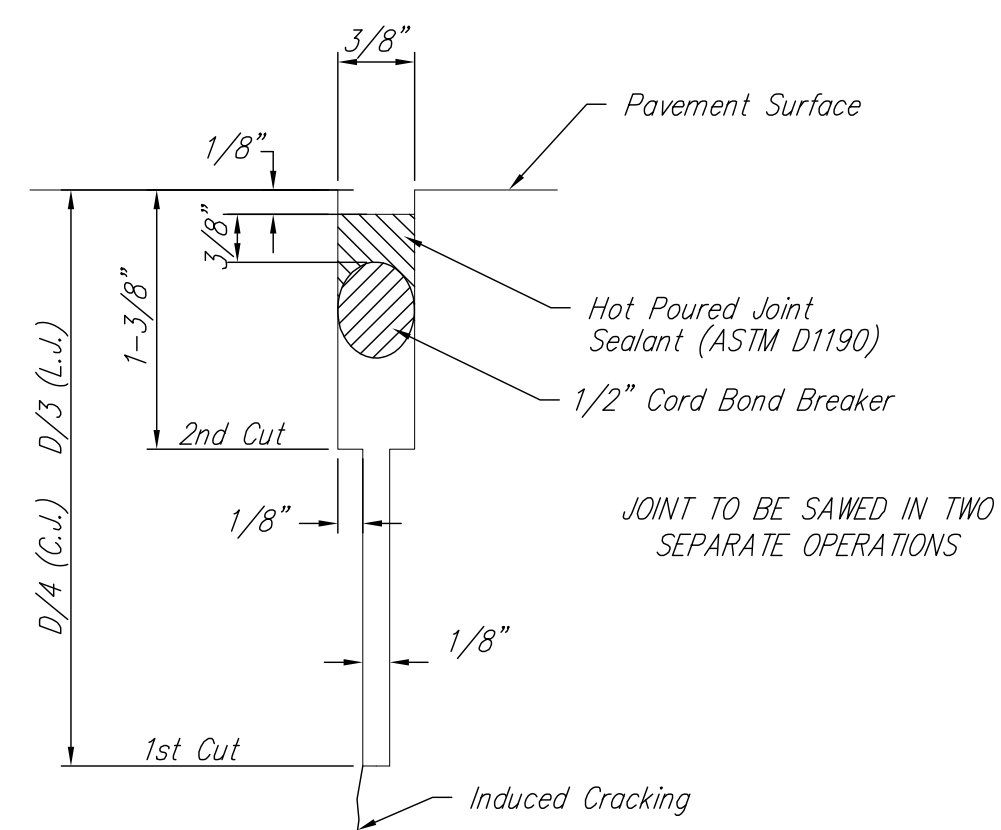


SECTION B-B

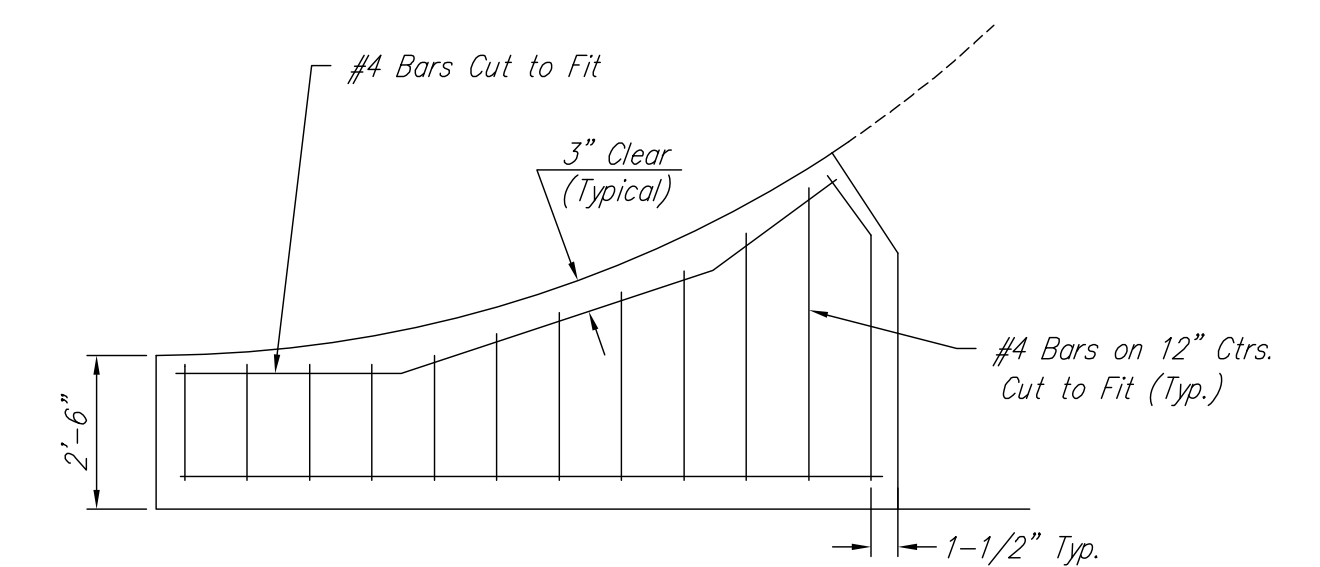
REINFORCED VALLEY GUTTER DETAIL



OPTIONAL CONTRACTION JOINT

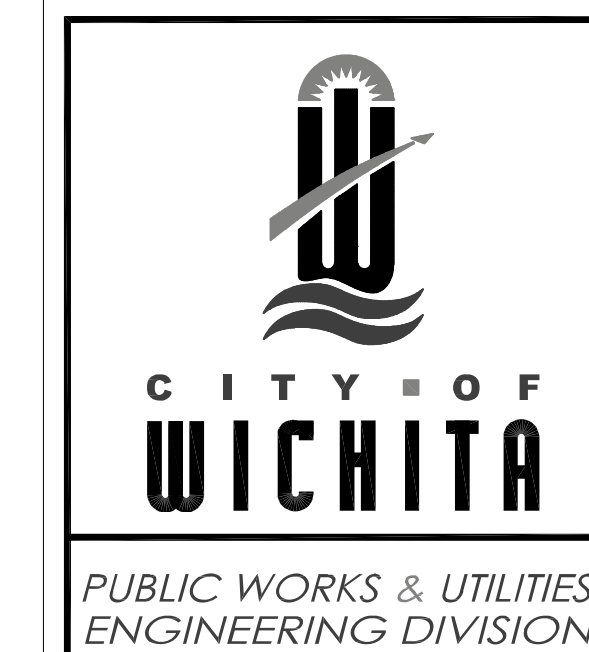


SAW JOINT DETAIL (DETAIL A)



WING REINFORCING DETAIL

REVISION MAY 2017 SECTION B-B, ROCK EXTENDED ONE FOOT BEYOND PAVEMENT



VALLEY GUTTER DETAILS

CITY ENGINEER

GARY JANZEN, P.E.

PROJECT NUMBER OCA NUMBER DATE

CITY ENGINEER'S OFFICE
CITY HALL - SEVENTH FLOOR
455 NORTH MAIN STREET
WICHITA, KANSAS 67202-1620
(316) 268-4501

SHEET

20 of 3