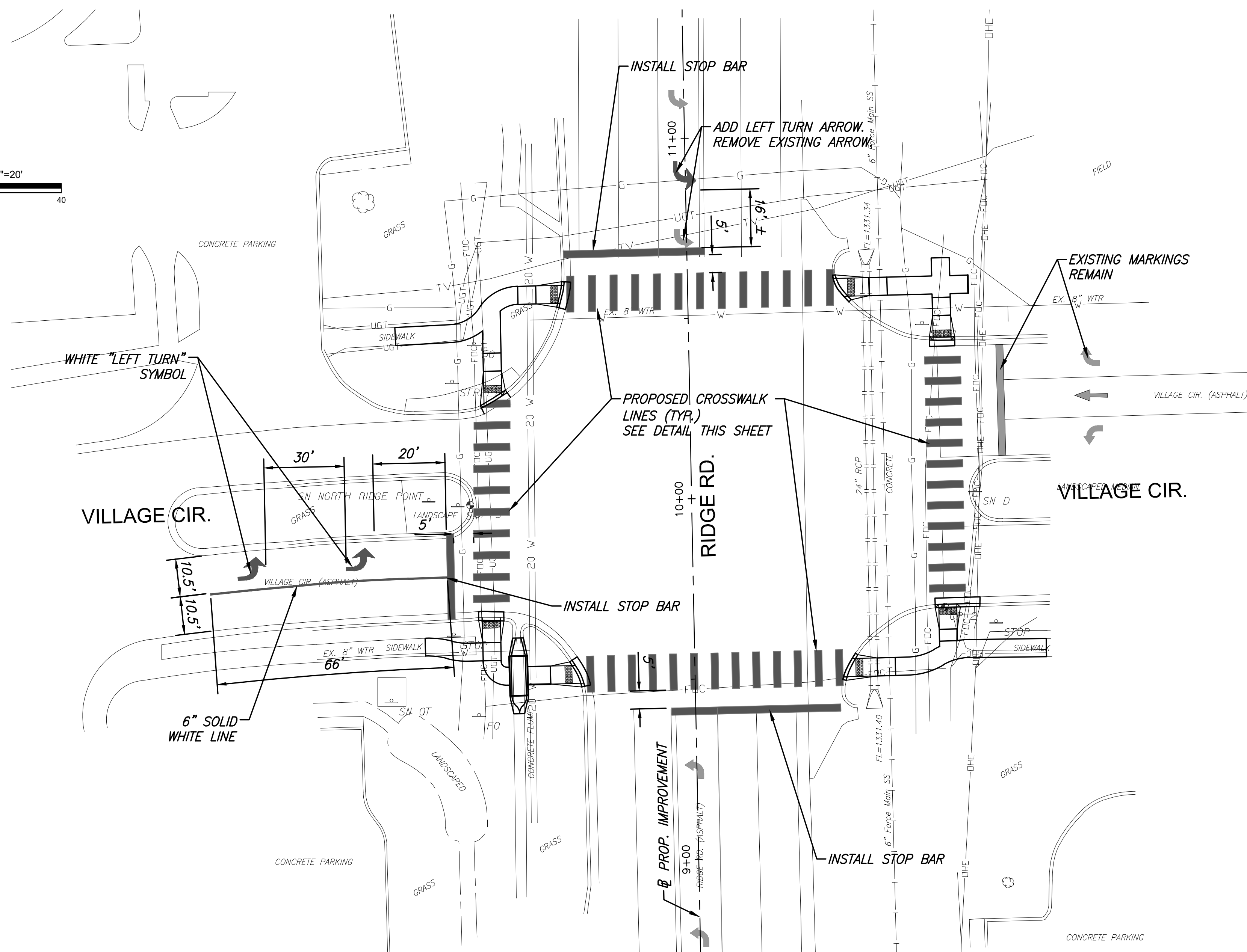
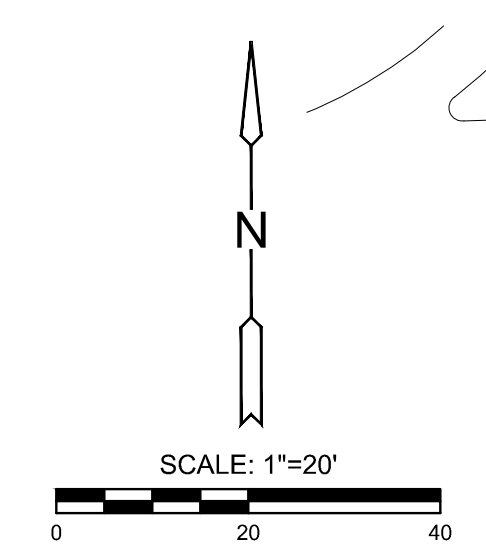
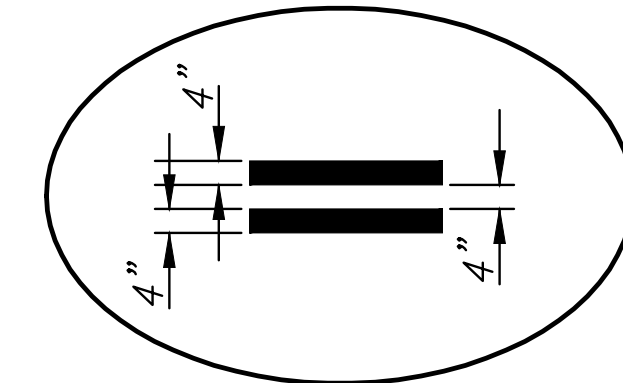


**PLANS FOR**  
**RIDGE RD. & VILLAGE CIR. TRAFFIC SIGNAL**  
**WICHITA, KS**

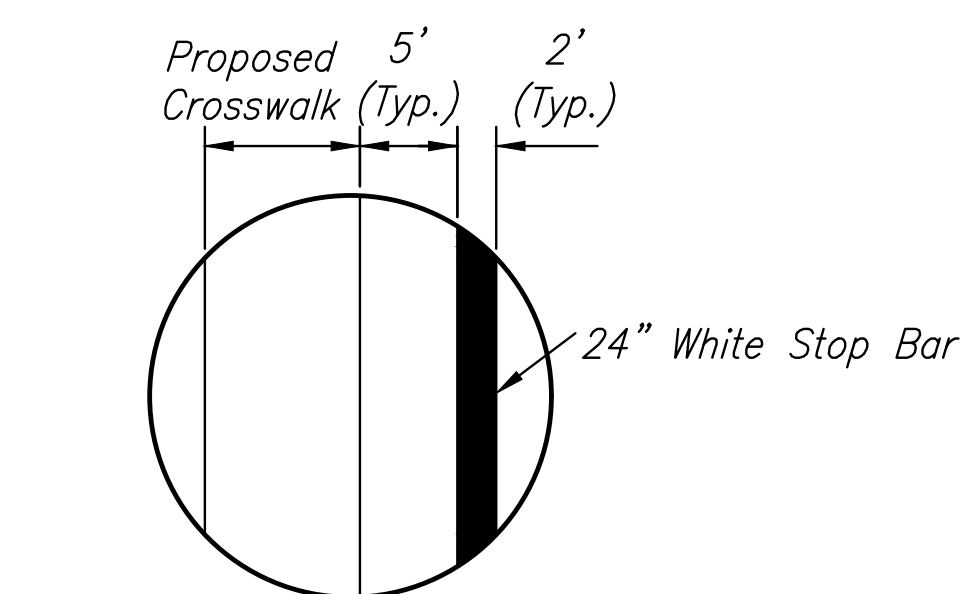


These lines should be solid white 24" wide placed parallel to the direction of traffic flow. The line placement is determined by lane line, center line, and wheel path in such a manner as to minimize traffic wear. Spacing of lines shall be uniform per crosswalk. Install stripes at 3'-6" to 4'-0" spacing, typical.

**CROSSWALK DETAIL**



**TYPICAL SPACING FOR 4" DOUBLE YELLOW LINE**



**STOP BAR DETAIL**

**PAVING MARKING PLAN**

SUMMARY OF QUANTITIES (FOR INFORMATION ONLY)		
ITEMS	QUANTITY	UNIT
Pavement Marking (White)(24") Bars Crosswalk	589.7	L.F.
Pavement Marking		L.F.
Pavement Marking (White)(6")	66	L.F.
Pavement Marking		L.F.
Pavement Marking		L.F.
Pavement Marking		L.F.
Pavement Marking		L.F.
Pavement Marking		L.F.
Pavement Marking Symbol (Left Turn)	3	Each
Pavement Marking		Each
Pavement Marking		Each
Pavement Marking		Each
<b>RECAPITULATION OF QUANTITIES</b>		
BID ITEM	QUANTITY	UNIT
Pavement Marking	Lump Sum	L.S.

**Pavement Markings** – All pavement markings shall be epoxy, unless otherwise approved by the Engineer. Pavement markings shall be installed per manufacturer's recommendations and shall meet KDOT's 2015 Edition of the Standard Specification Section 806. Full traffic may not be restored (and substantial project completion achieved) until all pavement markings are in place. Should construction timing be such that restoration of traffic becomes necessary during weather prohibiting the installation of markings, the contractor shall install and maintain temporary markings until such time that permanent markings may be properly installed. Except for the material requirement, temporary pavement markings shall be placed equivalent, in every manner (i.e. dimension, frequency, spacing, etc.), to the permanent marking layout. The cost for temporary pavement markings will not be paid for directly, but shall be considered subsidiary to the bid item for "Pavement Markings".

©2022 MKEC Engineering All Rights Reserved www.mkec.com  
 These drawings and their contents, including, but not limited to, all concepts, designs, & ideas are the exclusive property of MKEC Engineering (MKEC), and may not be used or reproduced in any way without the express consent of MKEC.

**PAVEMENT MARKING PLAN AND DETAILS**

PROJECT NO.	472-2021-085741	
DATE	8/8/2022	
SCALE	1"=20'	
DESIGNED	DRAWN	CHECKED
JRA	RAM	JRA

NO.	REVISION	DATE

SHEET NO.  
**25 OF 31**

J:\PROJECTS\2019\19010483\_COW\_RIDGE AND VILLAGE TRAFFIC SIGNAL\_190483\_CADD\SHOTS\66\_CIVIL\PAV190483-06-5001.DWG  
 PLOTTED: Monday, August 08, 2022 @ 11:31AM