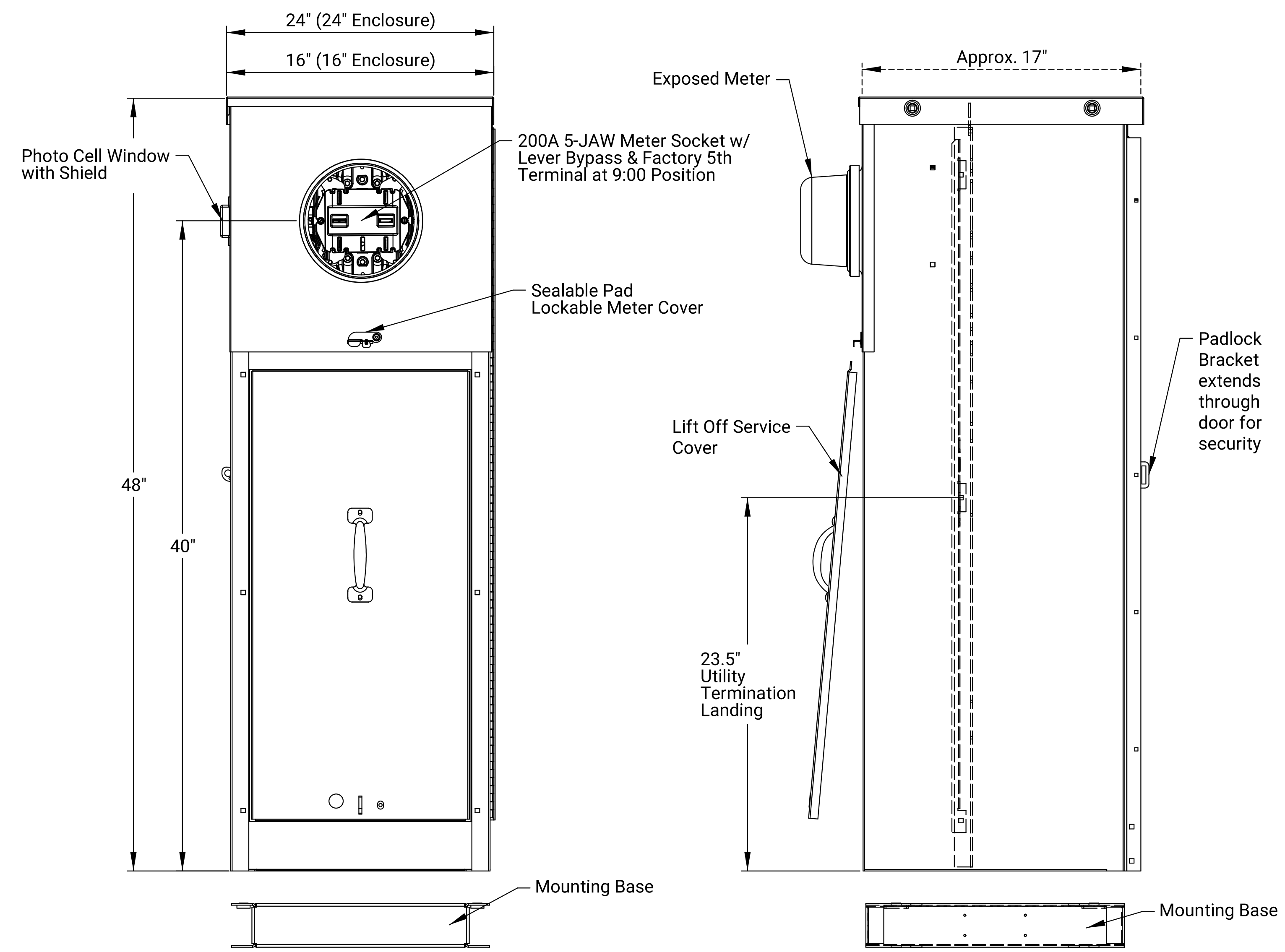


NOTE TO DESIGNER: Designer shall specify the 16" (single meter) or 24" (double meter) size in quantities.

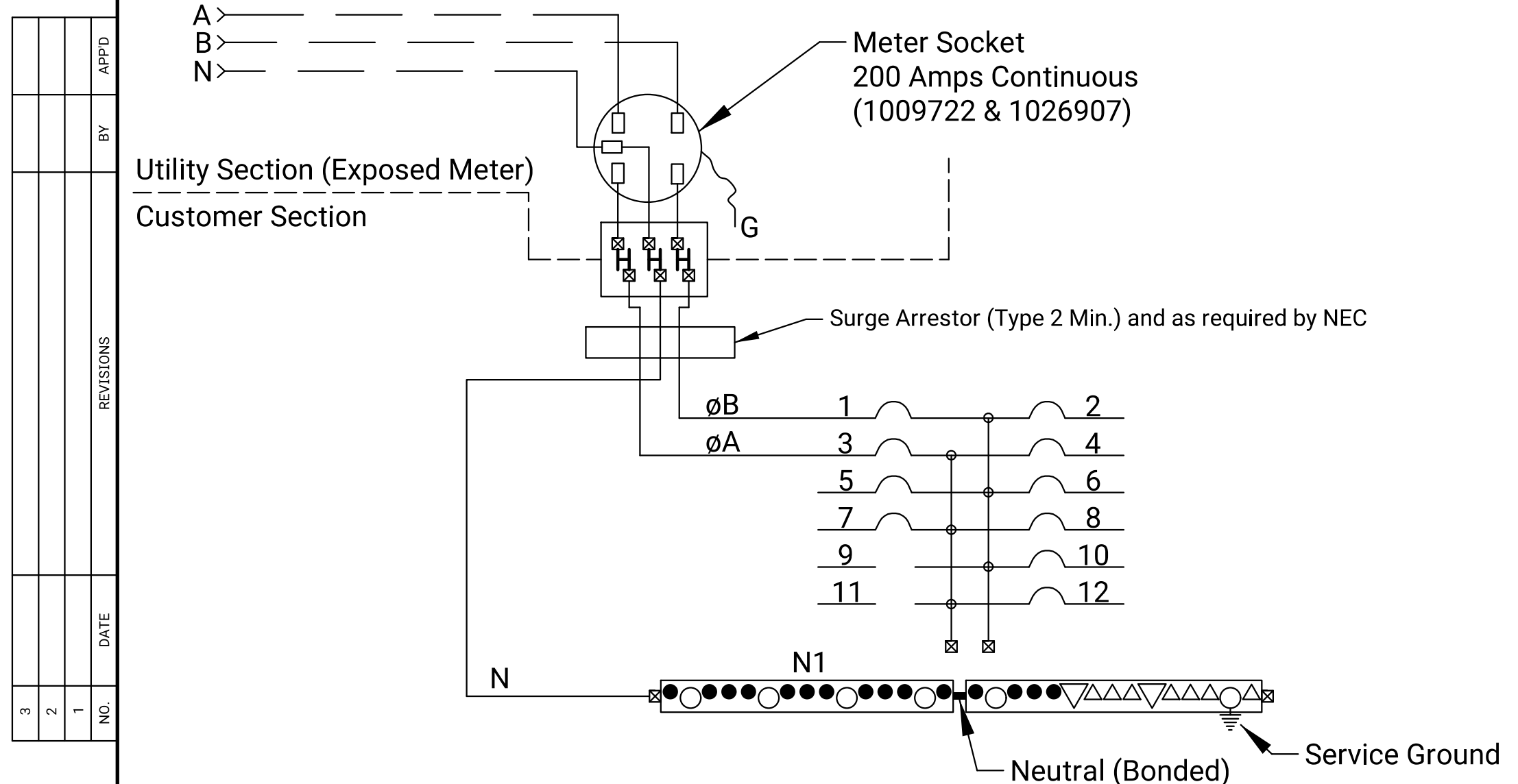


FRONT VIEW

SIDE VIEW

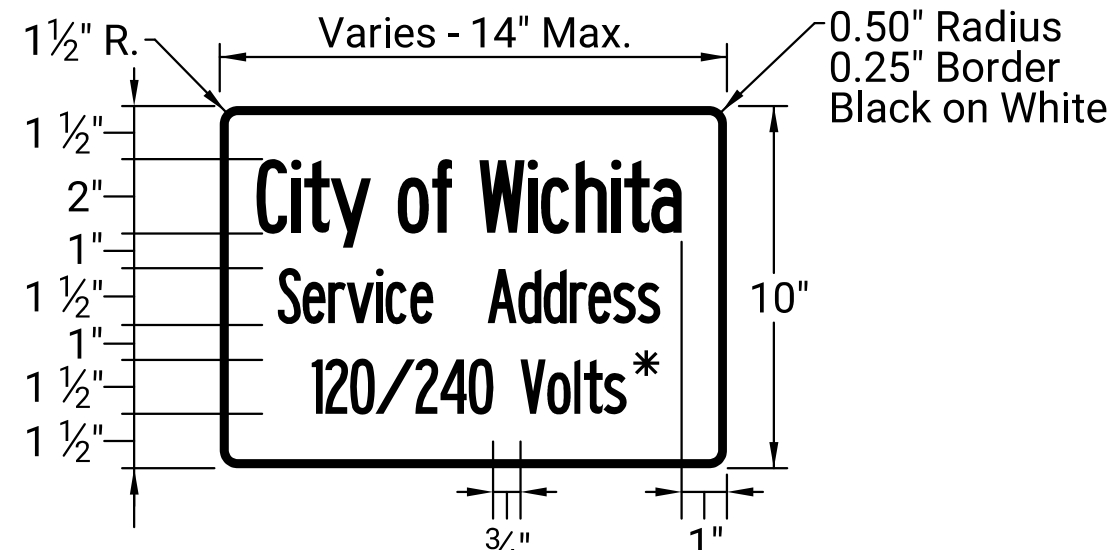
POWER SERVICE ENCLOSURE

CAUTION:
Lever By-pass. Circuit may be live with meter removed.
Meter is bypassed when handle is rotated upward.



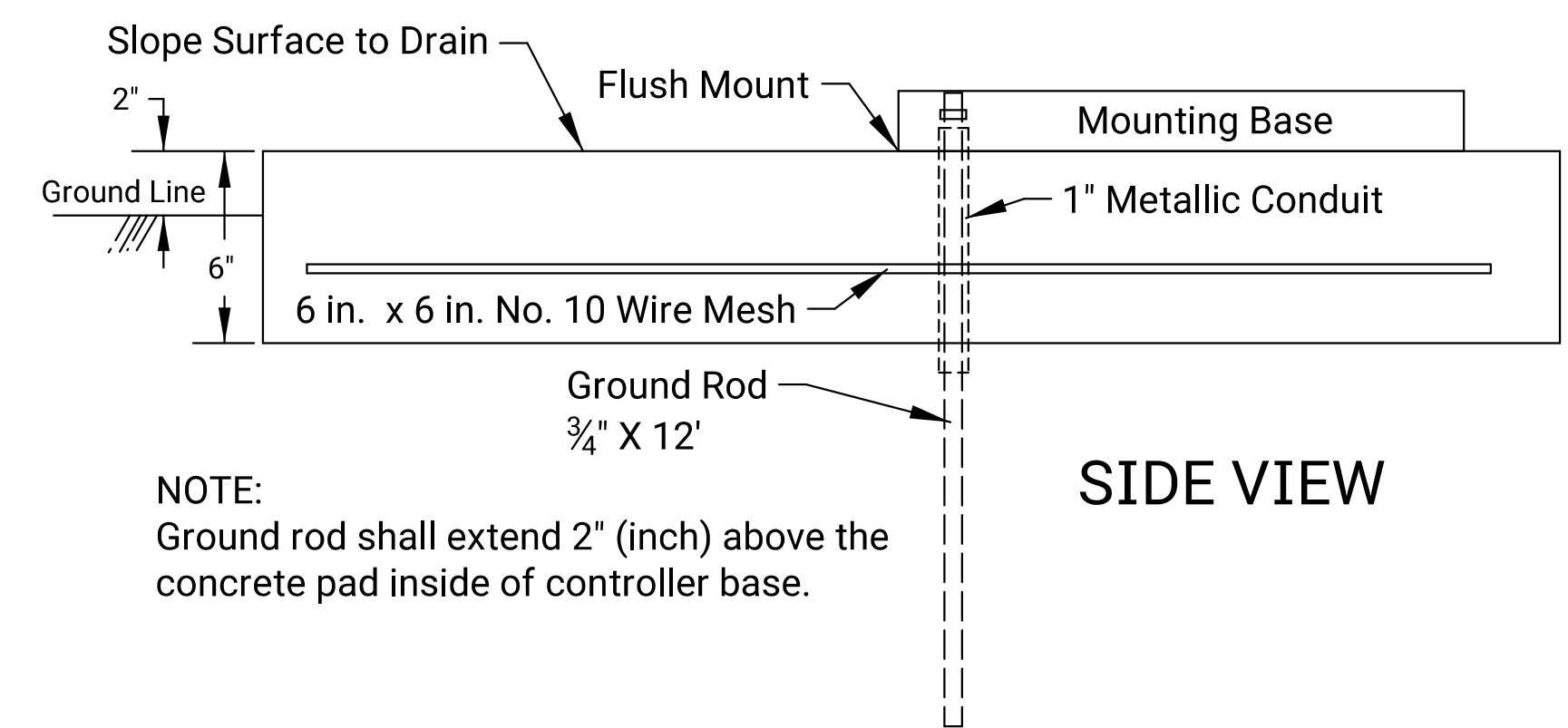
WIRING DIAGRAM

Lighting circuit not shown. See Manufacturer's Drawing for Additional Details.

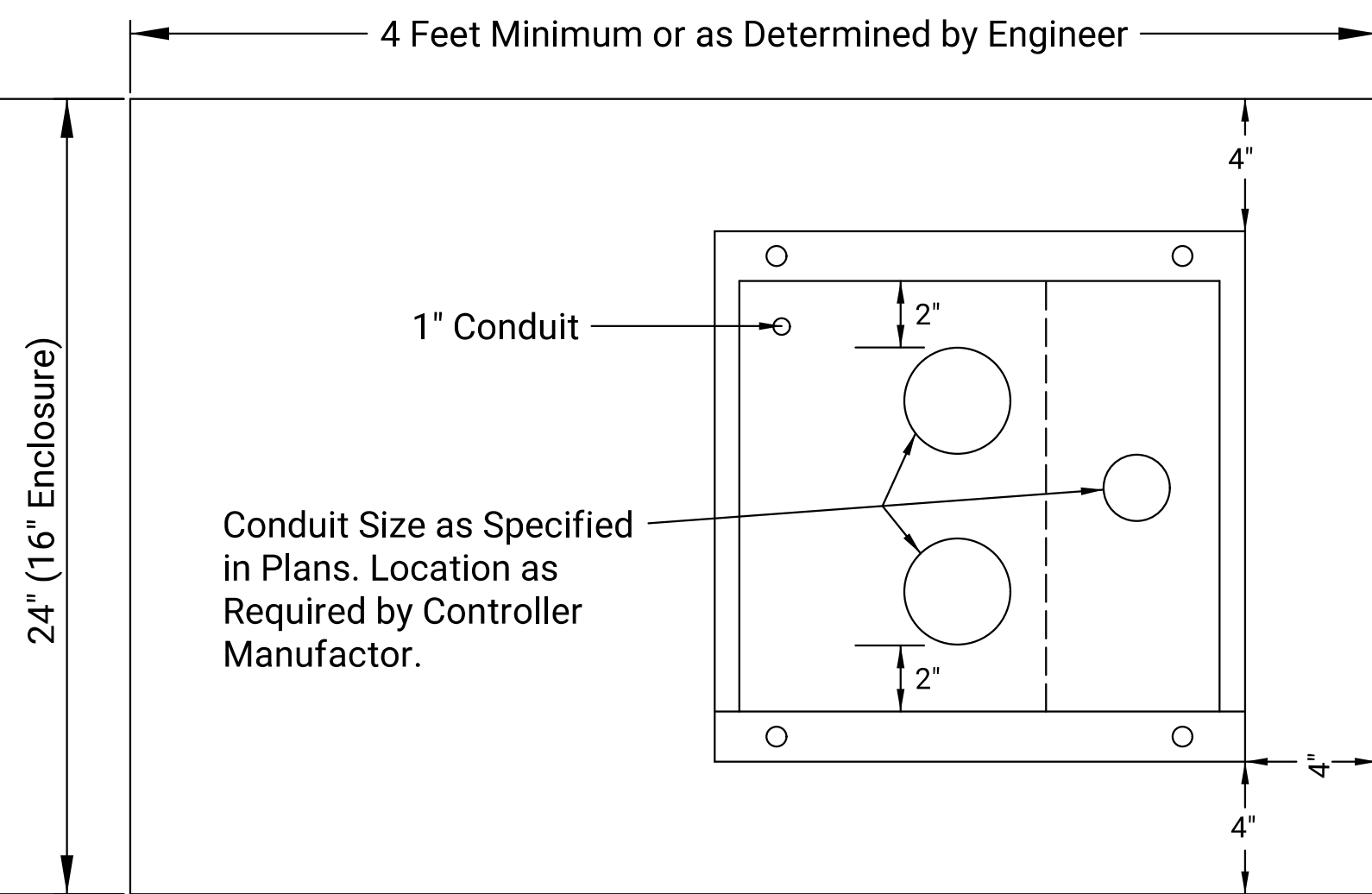


NAMEPLATE DETAIL

1. Apply on "street side" of enclosure facing the street referenced in the address
- * 2. Voltage as Provided by Electric Service
3. Nameplate shall match enclosure material type & be mechanically fastened (rivets) to enclosure

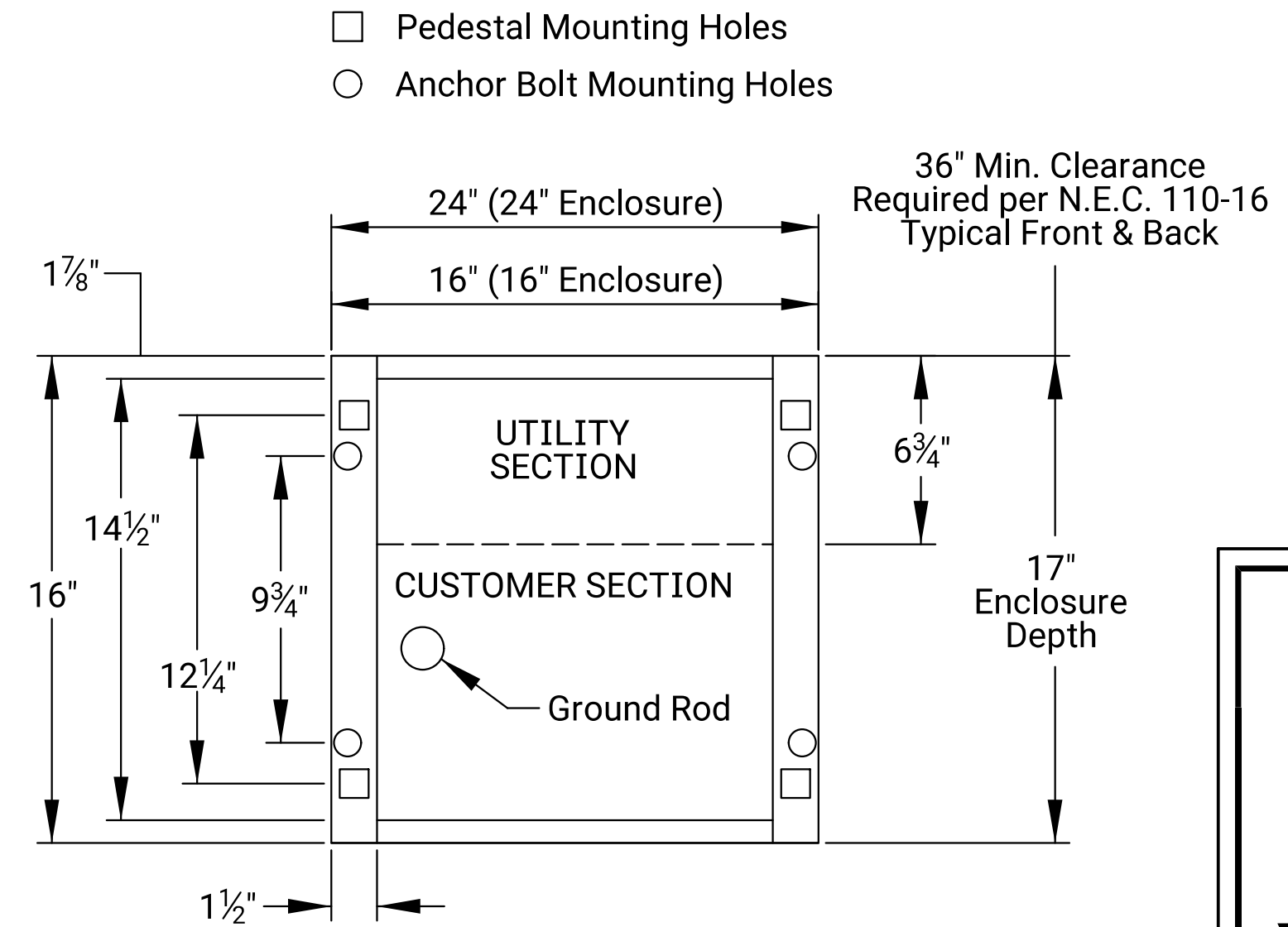


SIDE VIEW



TOP VIEW

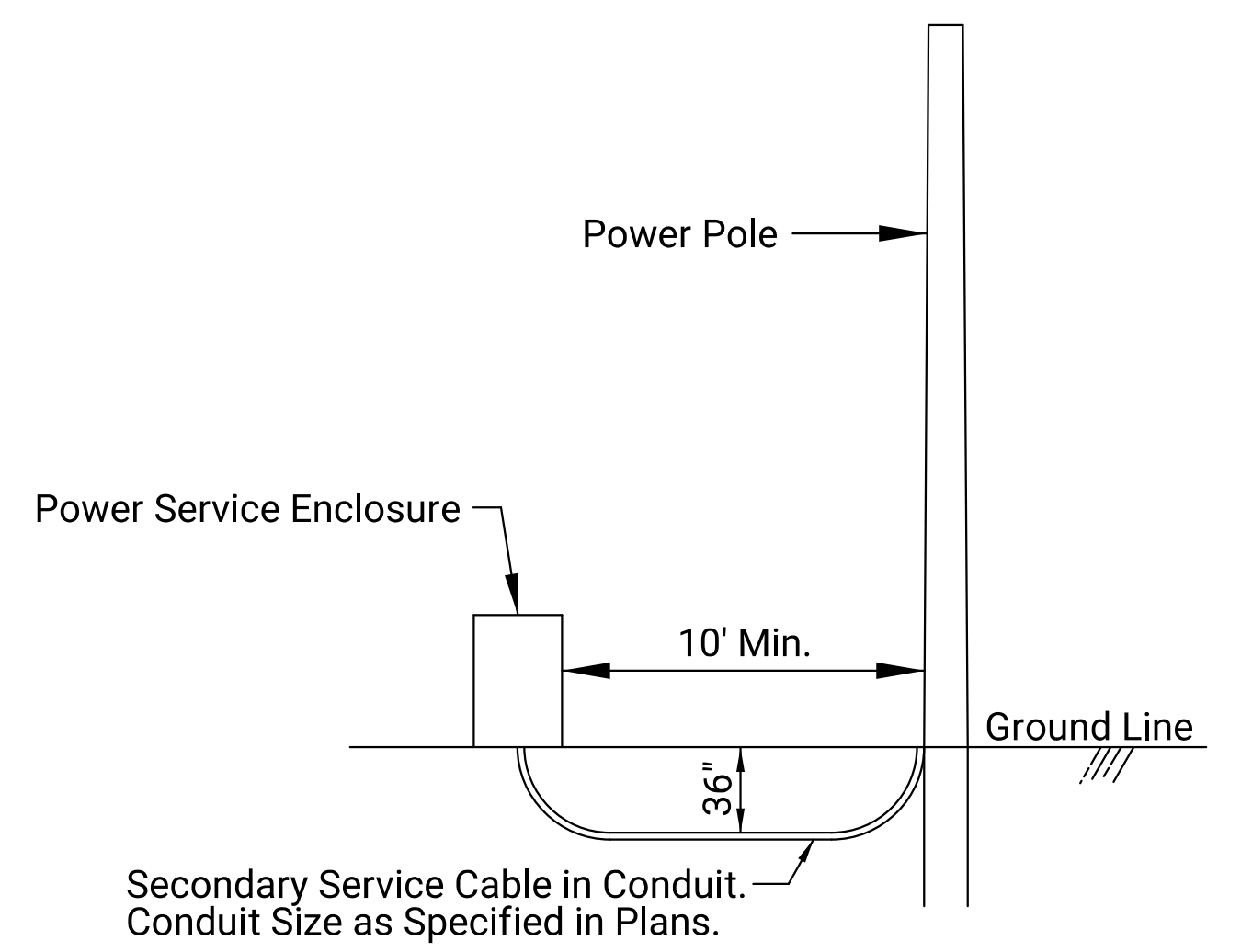
CONCRETE FOUNDATION PAD DETAIL



MOUNTING BASE DETAIL

NOTES:

1. THE POWER ENCLOSURE SHALL BE CONSTRUCTED OF BARE 5052 ALLOY ALUMINUM 0.125" (INCH) THICK. THE ENCLOSURE SHALL BE OF CLEAN CUT DESIGN HAVING NO SHARP EDGES, CORNERS OR PROJECTIONS AND NEMA TYPE 3R CONSTRUCTION
2. THE ENCLOSURE SHALL INCREASE IN SIZE WITH THE NUMBER OF CIRCUITS.
3. ENCLOSURE SHALL MEET THE CURRENT ENERGY COMPANY REQUIREMENTS. THIS INCLUDES A EXPOSED METER ENCLOSURE, 200A, JAW-CLAMPING LEVER-BYPASS METER SOCKET WITH FACTORY INSTALLED FIFTH TERMINAL AT 9:00 POSITION.
4. SPLIT BUS LOAD CENTER. THE BUS LOAD CENTER SHOULD INCLUDE THE FOLLOWING UNLESS SHOWN OTHERWISE IN THE PLAN DOCUMENTS.
 - A. UNSWITCHED (CONSTANT) LOAD CENTER WITH 50A 2P; 30A 1P AND 30A 2P BREAKERS
 - B. SWITCHED LOAD CENTER WITH ELECTRICALLY-HELD CONTACTOR CONTROLLED BY PHOTO CELL RECEPTACLE AND HAND-OFF-AUTO SWITCH, 30A 1P AND 30A 2P BREAKERS.
5. THE SECONDARY BREAKER FOR THE PHOTO-CELL CIRCUIT SHALL BE 277 VOLT, 15 AMP SINGLE POLE.
6. THE WIRING FROM PB1 AND PB2 TO T1 THROUGH T4 SHALL BE NO. 6 AWG THW.
- 7 THE WIRING FOR THE LOAD AND LINE SIDE OF THE MAIN BREAKER SHALL BE THE SAME SIZE WITH THE WIRE.
8. THE WIRING FOR THE PHOTO ELECTRIC CONTROL CIRCUIT SHALL BE NO. 12 AWG THW.
9. ALL WIRING AND WIRING METHODS SHALL COMPLY WITH THE MOST CURRENT NATIONAL ELECTRIC CODE (NEC) STANDARDS. ANY CHANGES TO THESE STANDARDS SHALL BE APPROVED BY THE AUTHORITY HAVING JURISDICTION.
10. NO STEP DOWN TRANSFORMER SHALL BE LOCATED ON METER
11. USE MILBANK POWER SERVICE ENCLOSURES BELOW (OR APPROVED EQUAL):
16" ENCLOSURE CATALOG #CP3B51C14PAOSL1
24" ENCLOSURE CATALOG #CP3B51C14RAOSL1



POWER ARRANGEMENT



POWER SERVICE ENCLOSURE (SINGLE METER)		
TRAFFIC ENGINEER APP'D 01/27/22 MIKE ARMOUR, P.E.		
PROJECT NUMBER 472-085773	ORG NUMBER	DATE 12/20/2022
CITY ENGINEER'S OFFICE CITY HALL - SEVENTH FLOOR 455 NORTH MAIN STREET WICHITA, KANSAS 67202-1620 (316) 268-4501		SHEET 12 TR-110