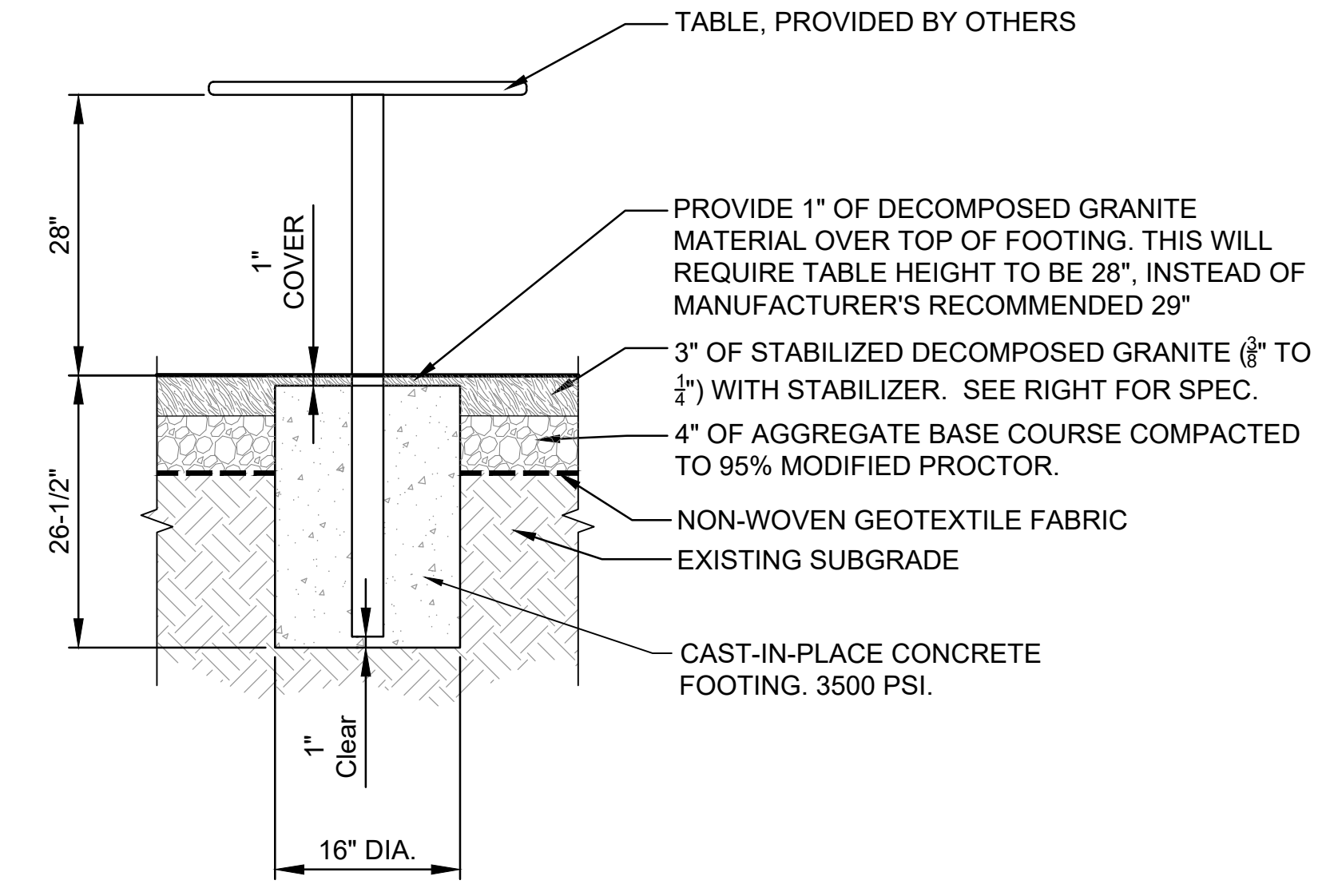
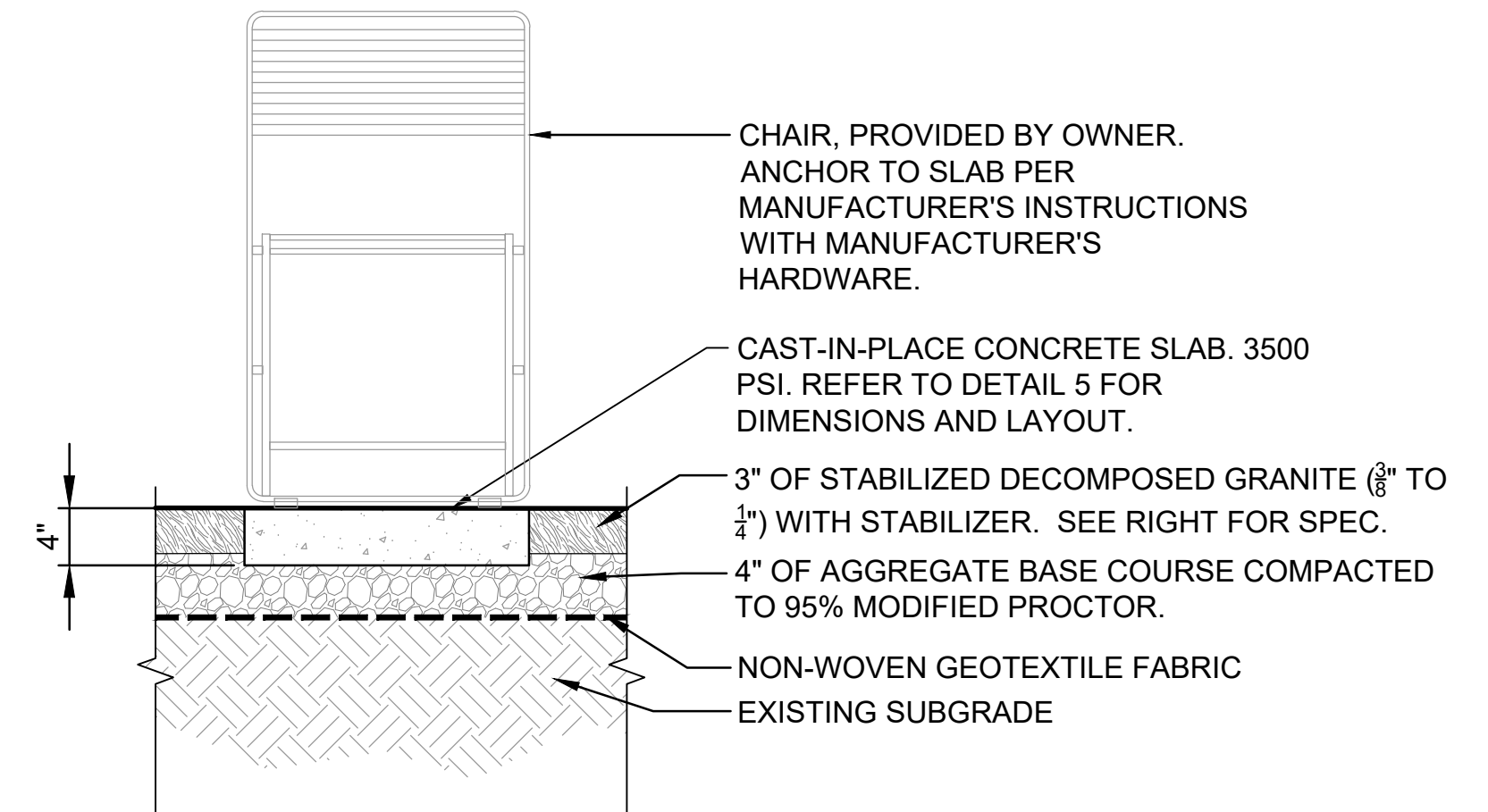


NOTE:
 1. OWNER WILL PURCHASE AND PROVIDE SITE FURNISHINGS FOR INSTALLATION. CONTRACTOR TO INSTALL NECESSARY FOOTINGS PER DETAILS ON THIS SHEET.

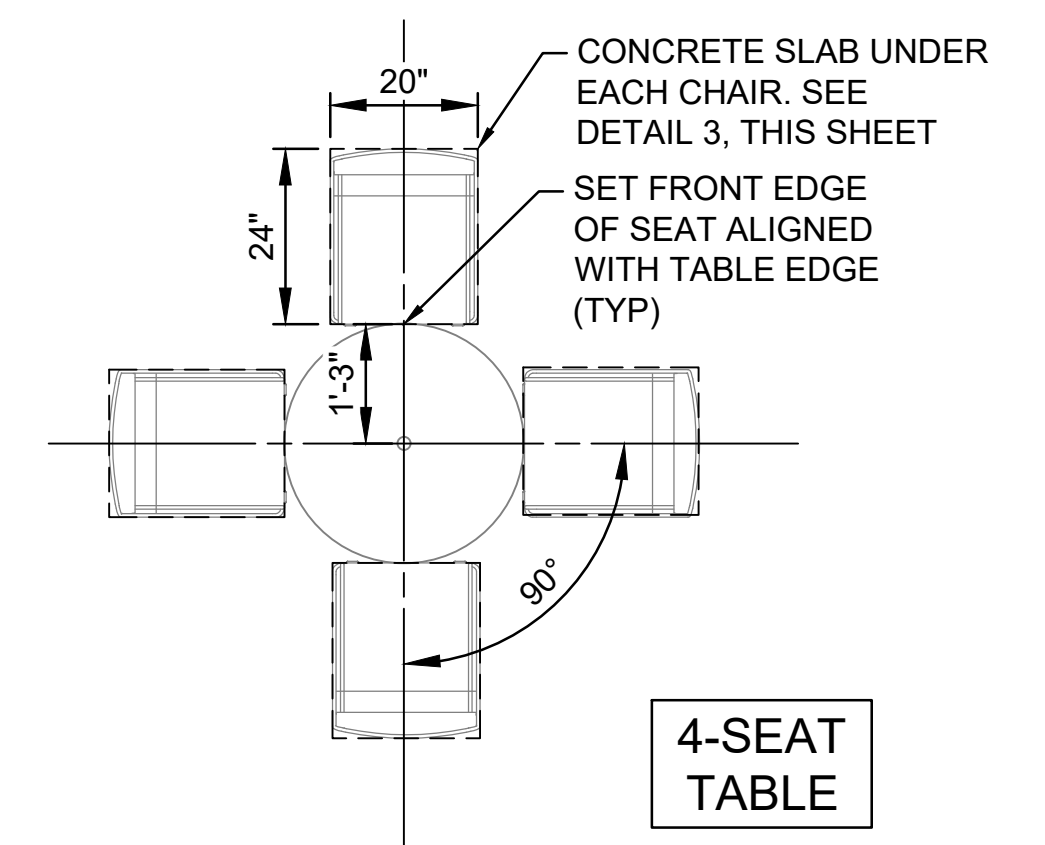
1 CHESS TABLE LAYOUT
 SCALE: 1" = 5'



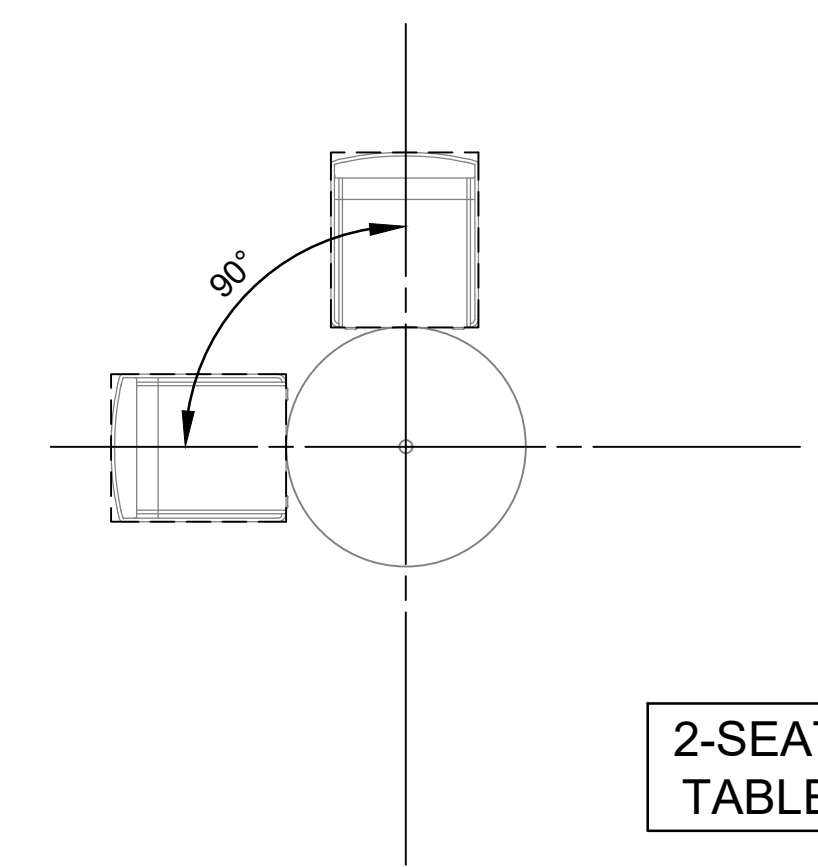
2 EMBEDDED TABLE FOOTING
 SCALE: NONE



3 CHAIR ANCHORING
 SCALE: NONE

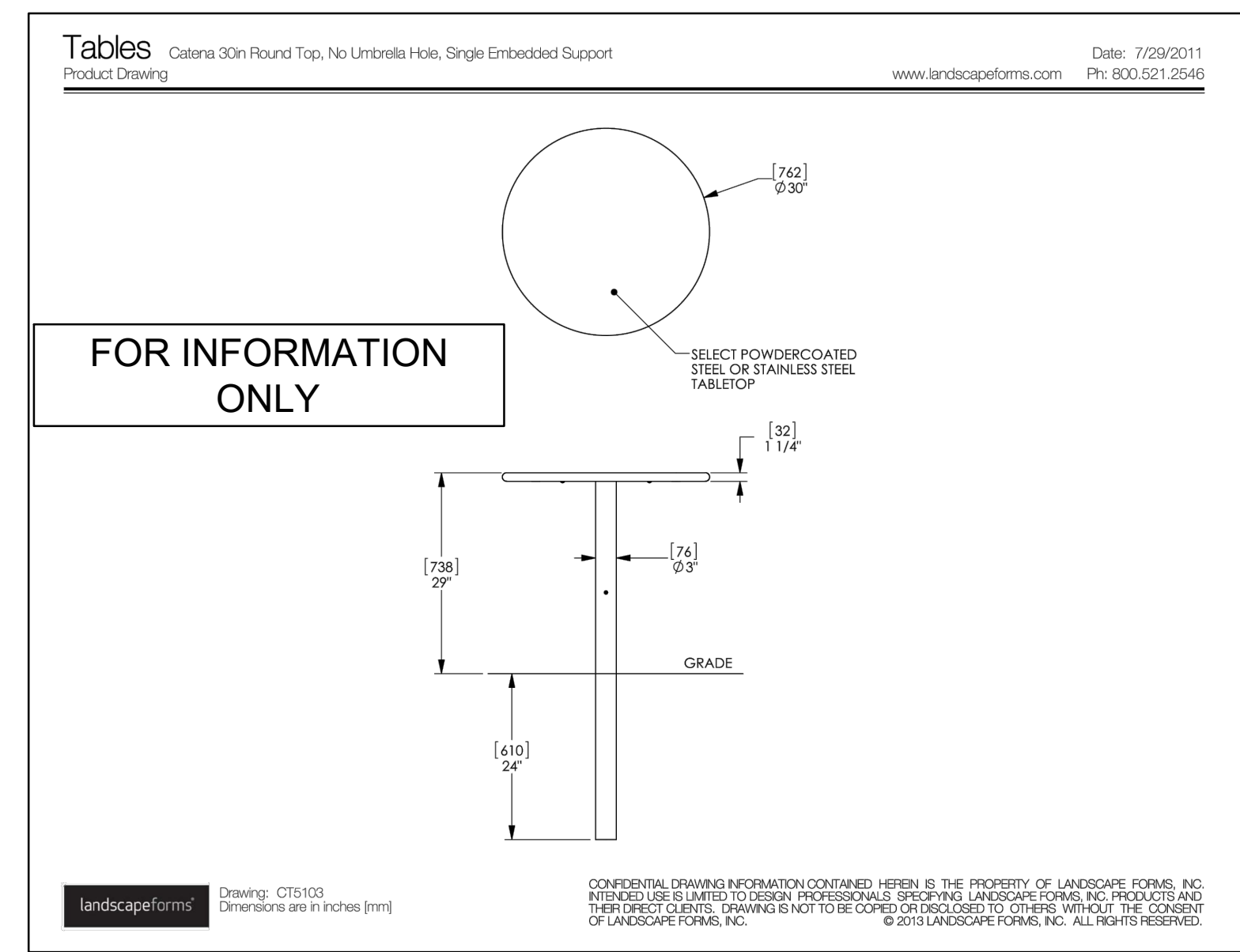


4-SEAT TABLE

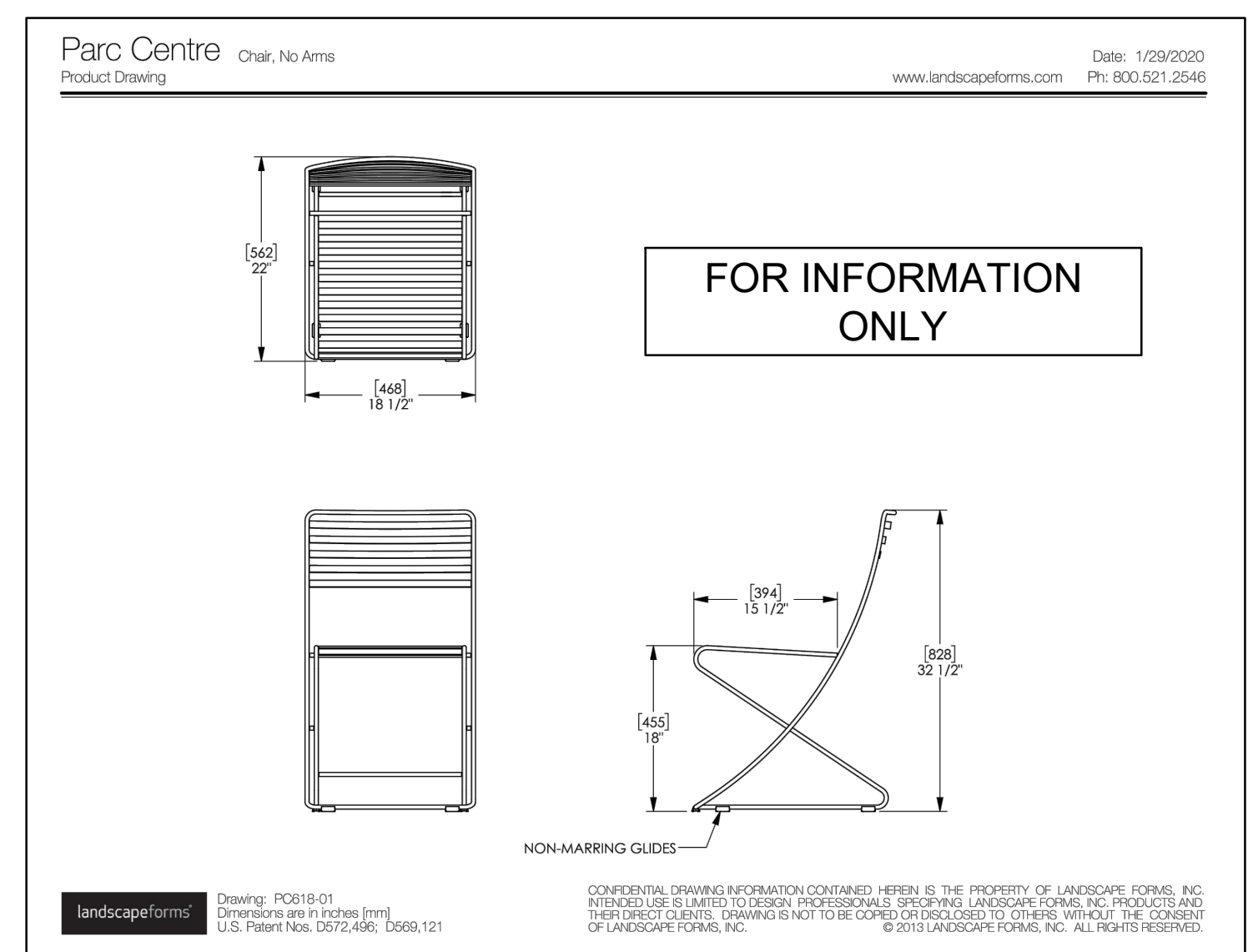


2-SEAT TABLE

5 CHAIR CONFIGURATION AT TABLES
 SCALE: NONE



3 CHESS TABLE (CATENA BY LANDSCAPE FORMS)(BY OTHERS)
 SCALE: NONE

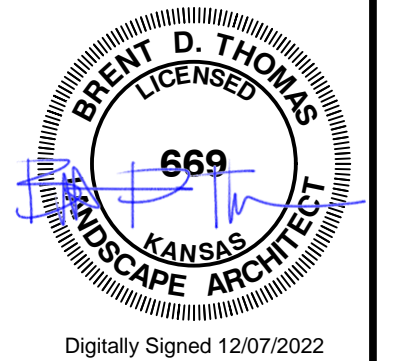


4 CHAIRS (PARK CENTRE BY LANDSCAPE FORMS)(BY OTHERS)
 SCALE: NONE



© 2022 GARVER, LLC
 THIS DOCUMENT, ALONG WITH THE IDEAS AND DESIGNS CONVEYED HEREIN, SHALL BE CONSIDERED INSTRUMENTS OF PROFESSIONAL SERVICE AND ARE PROPERTY OF GARVER, LLC. ANY USE, REPRODUCTION, OR DISTRIBUTION OF THIS DOCUMENT, ALONG WITH THE IDEAS AND DESIGN CONTAINED HEREIN, IS PROHIBITED UNLESS AUTHORIZED IN WRITING BY GARVER, LLC OR EXPLICITLY ALLOWED IN THE GOVERNING PROFESSIONAL SERVICES AGREEMENT FOR THIS WORK.

1995 Midfield Road
 Wichita, KS 67209
 (316) 264-8008



Digitally Signed 12/07/2022

REV.	DATE	DESCRIPTION	BY

CITY OF WICHITA
 DEPT. OF PARK & RECREATION
 WICHITA, KANSAS
 2022 PARK FACILITY
 ENHANCEMENTS-
 NAITZGER PARK TURF
 REPLACEMENT PROJECT

CIVIL DETAILS 04

JOB NO.: 22F00030
 DATE: DEC. 2022
 DESIGNED BY: BDT
 DRAWN BY: BIG

BAR IS ONE INCH ON ORIGINAL DRAWING
 0 1" = 1" IF NOT ONE INCH ON THIS SHEET, ADJUST SCALES ACCORDINGLY.

DRAWING NUMBER
C-504

SHEET NUMBER

File: L:\2022\22F00030 - Naitzger Park TurfDrawings\NAFFK_C501_L1.DWG Last Save: 12/8/2022 5:35 PM Last saved by: BDTThomas
 Last plotted by: Thomas, Brent D. Plot Style: AECmonochrome.ctb Plot Scale: 1:1 Plot Date: 12/8/2022 5:49 PM Plotter used: DWG To PDF.pc3