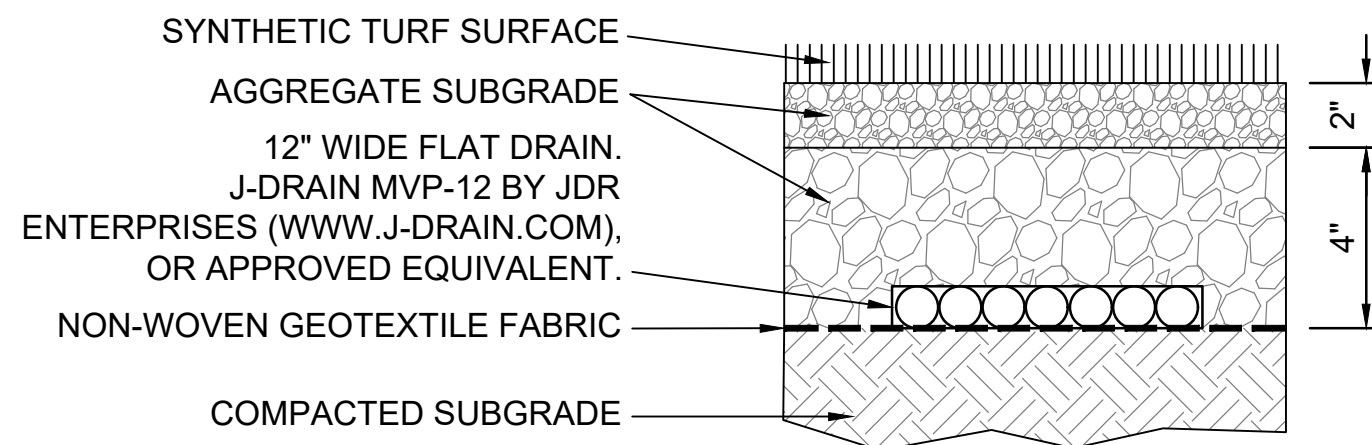
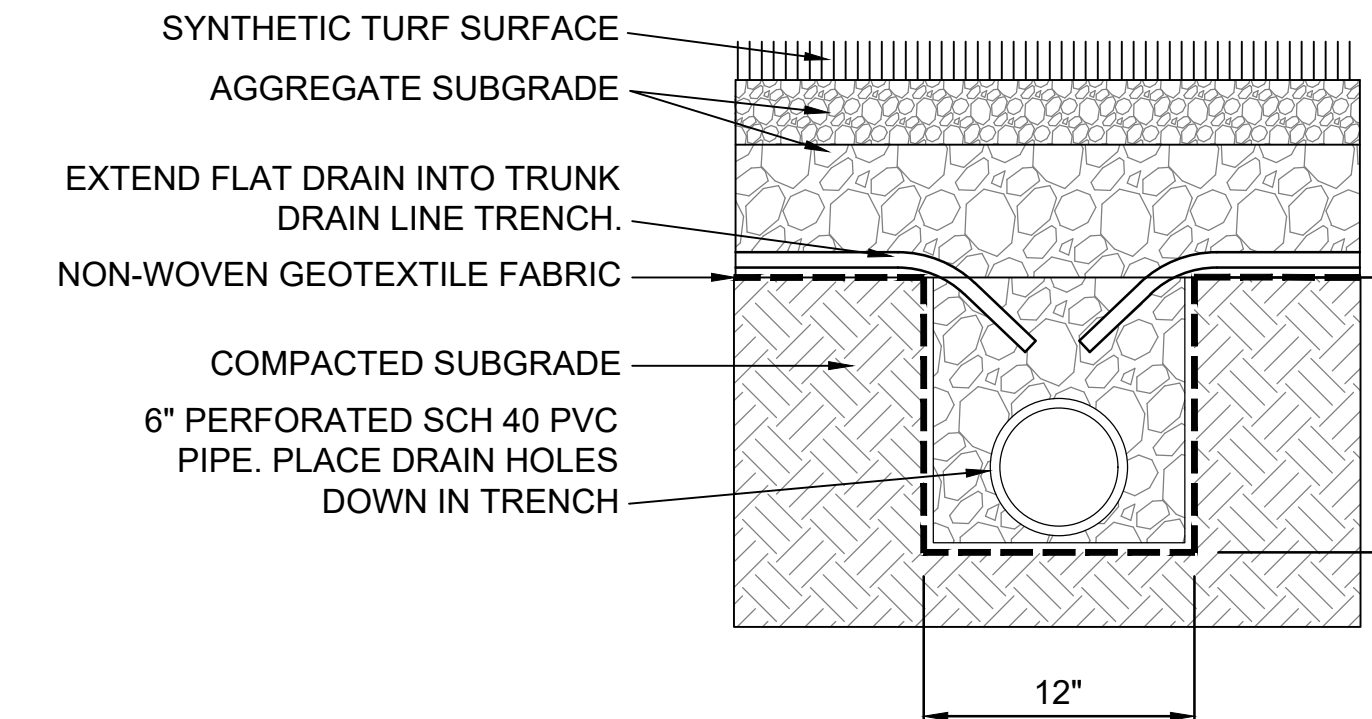


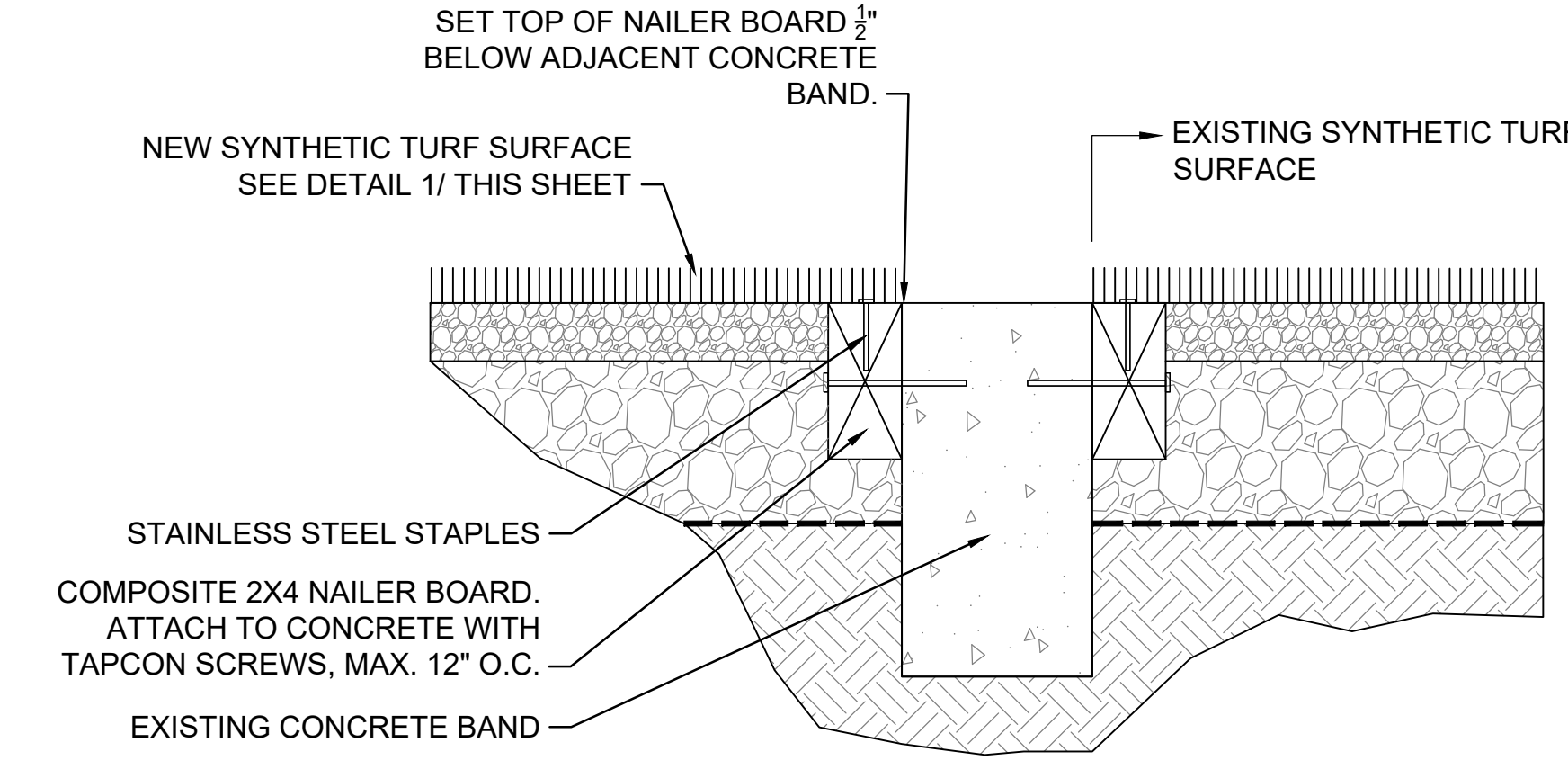
1 MINIMUM SYNTHETIC TURF SUBGRADE SECTION
SCALE: NONE



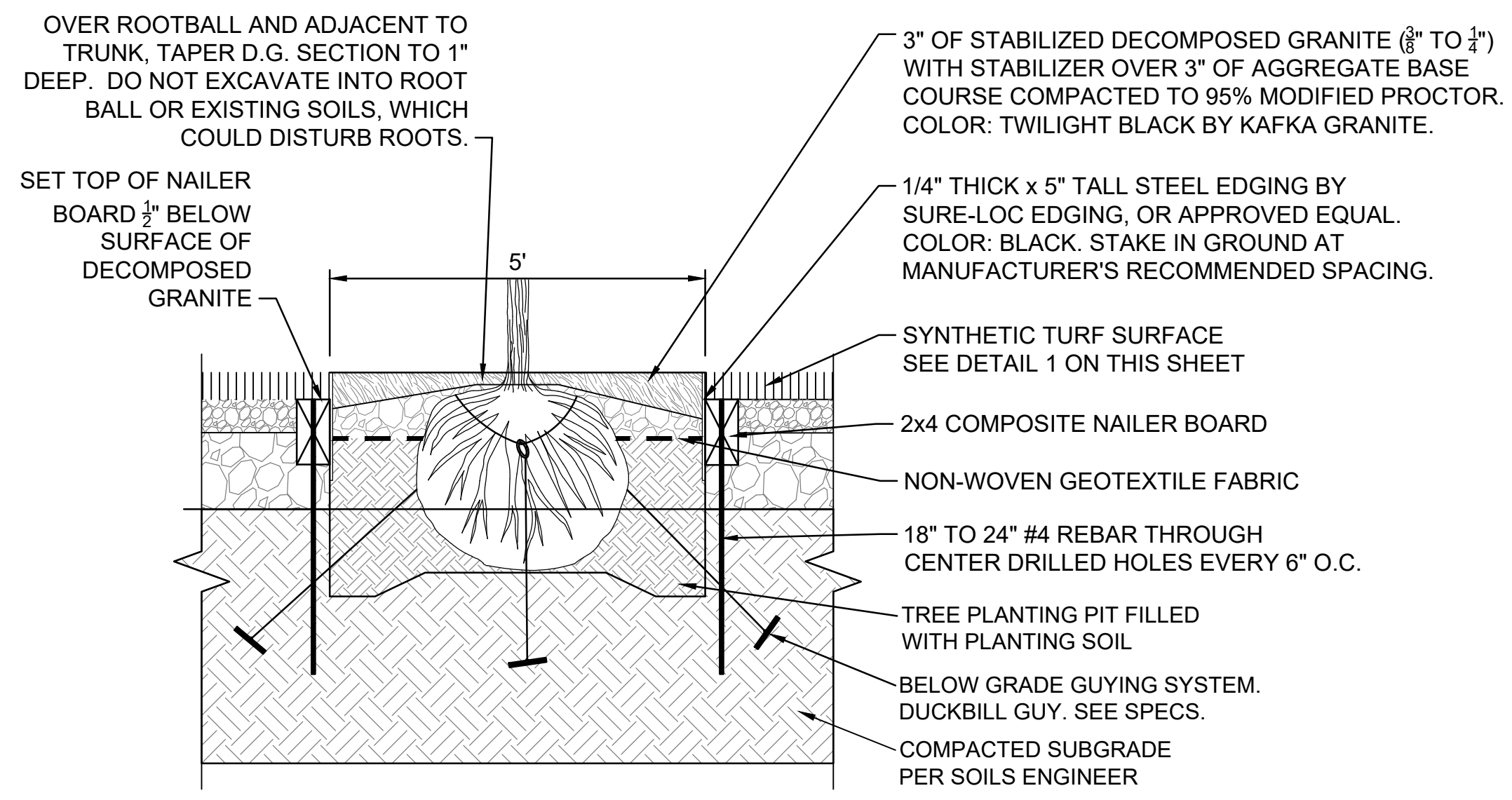
2 SYNTHETIC TURF DRAIN TILE
SCALE: NONE



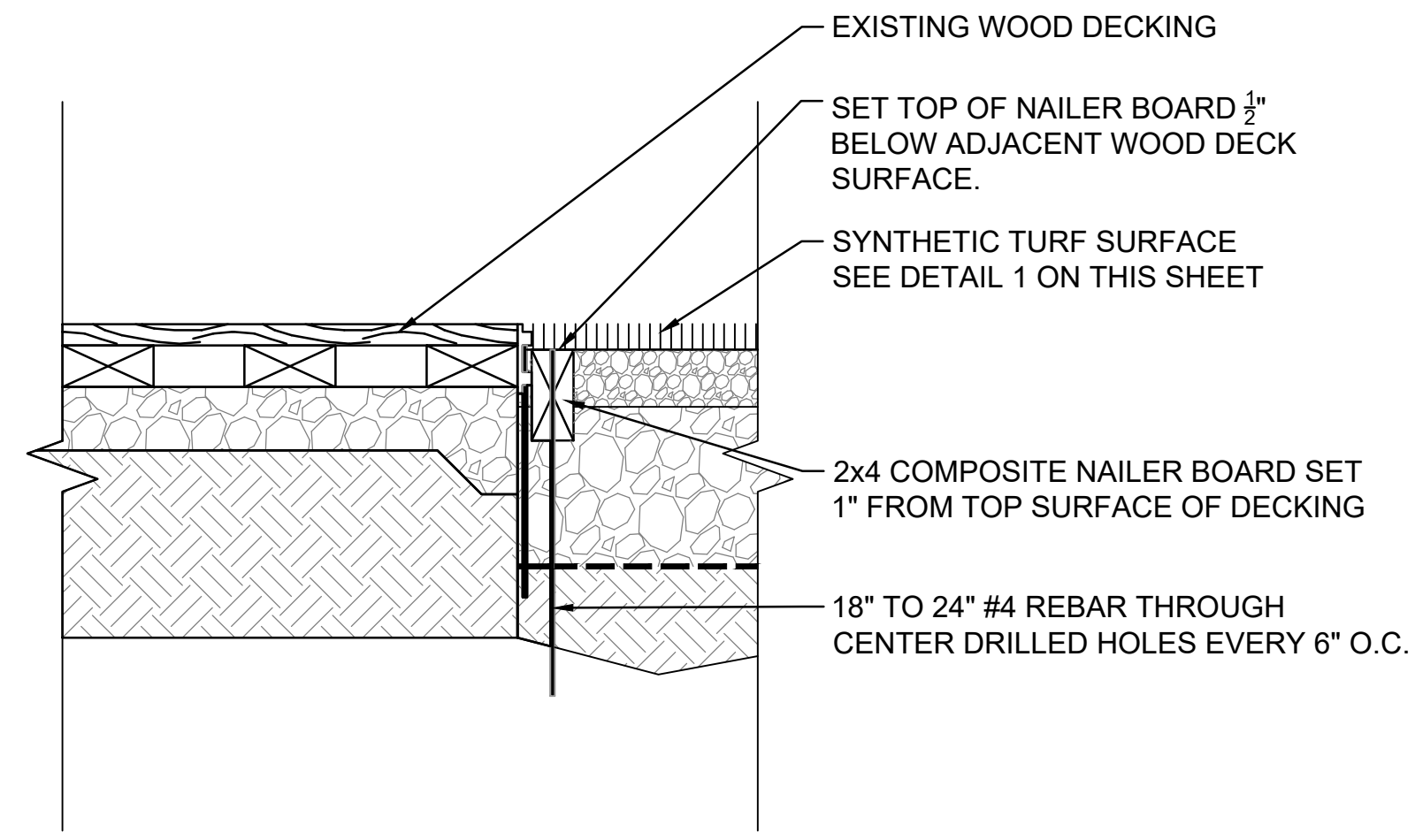
3 SYNTHETIC TURF TRUNK DRAIN LINE
SCALE: NONE



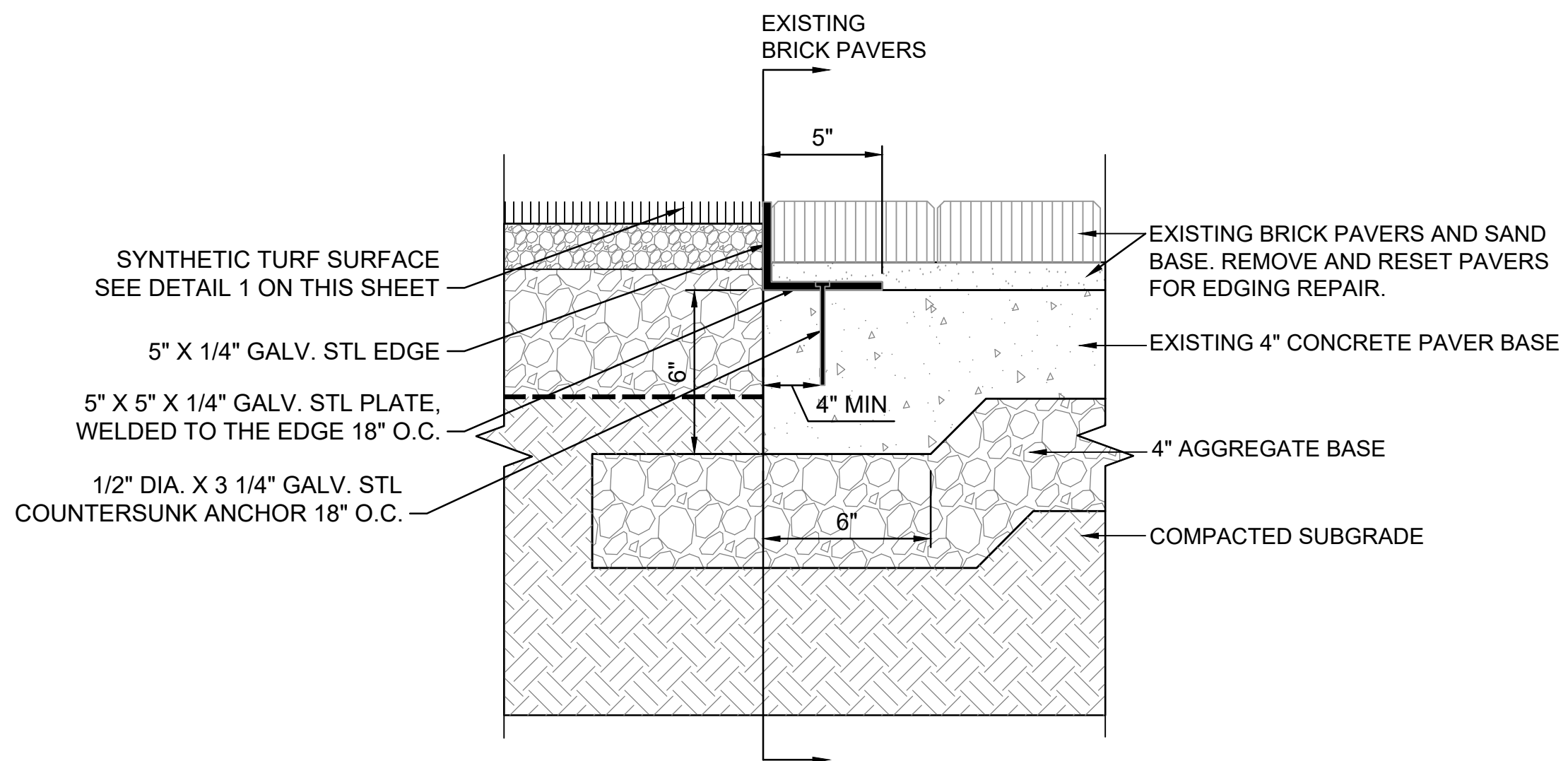
4 TURF ATTACHMENT TO CONCRETE BAND
SCALE: NONE



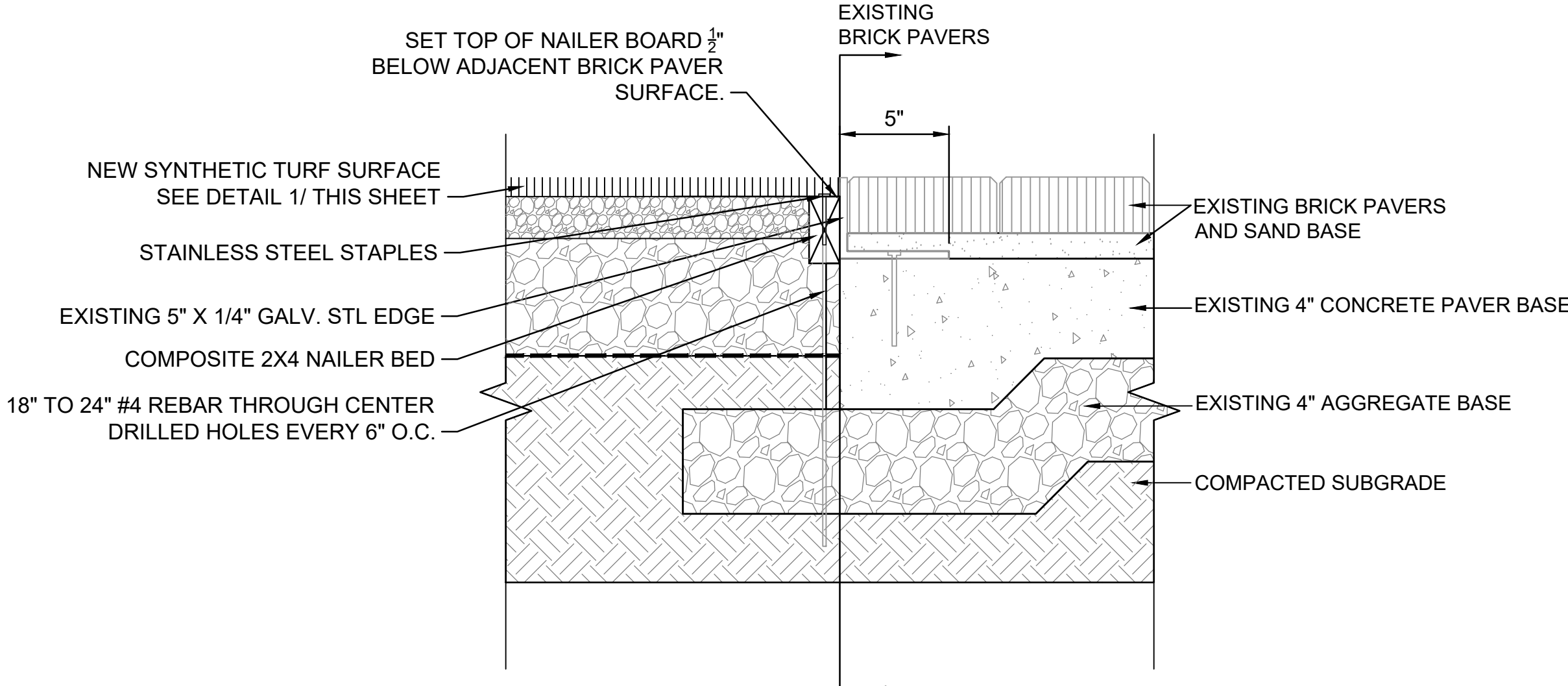
5 TREE WELL WITH DECOMPOSED GRANITE SURFACE
SCALE: NONE



6 TURF ATTACHMENT AT WOOD DECK
SCALE: NONE



7 METAL EDGING REPAIR
SCALE: NONE



8 TURF ATTACHMENT ADJACENT TO PAVERS/ GRANITE BAND
SCALE: NONE

File: L:\2022\22F00030 - Natzger Park TurnDrawings\NAFPK_C501_L1.dwg Last Save: 12/16/2022 5:35 PM Last saved by: BDTThomas
 Last plotted by: Thomas, Brent D. Plot Style: AECmonochrome.ctb Plot Scale: 1:1 Plot Date: 12/18/2022 5:48 PM Plotter used: DWG To PDF.pc3

© 2022 GARVER, LLC
 THIS DOCUMENT, ALONG WITH THE IDEAS AND DESIGNS CONVEYED HEREIN, SHALL BE CONSIDERED INSTRUMENTS OF PROFESSIONAL SERVICE AND ARE PROPERTY OF GARVER, LLC. ANY USE, REPRODUCTION, OR DISTRIBUTION OF THIS DOCUMENT, ALONG WITH THE IDEAS AND DESIGN CONTAINED HEREIN, IS PROHIBITED UNLESS AUTHORIZED IN WRITING BY GARVER, LLC OR EXPLICITLY ALLOWED IN THE GOVERNING PROFESSIONAL SERVICES AGREEMENT FOR THIS WORK.

1995 Midfield Road
 Wichita, KS 67209
 (316) 264-8008

Digitally Signed 12/07/2022

REV.	DATE	DESCRIPTION	BY

CITY OF WICHITA
 DEPT. OF PARK & RECREATION
 WICHITA, KANSAS
 2022 PARK FACILITY
 ENHANCEMENTS-
 NATZGER PARK TURF
 REPLACEMENT PROJECT

CIVIL DETAILS 01

JOB NO.: 22F00030
 DATE: DEC. 2022
 DESIGNED BY: BDT
 DRAWN BY: BIG

BAR IS ONE INCH ON ORIGINAL DRAWING
 IF NOT ONE INCH ON THIS SHEET, ADJUST SCALES ACCORDINGLY.

DRAWING NUMBER
C-501

SHEET NUMBER
7