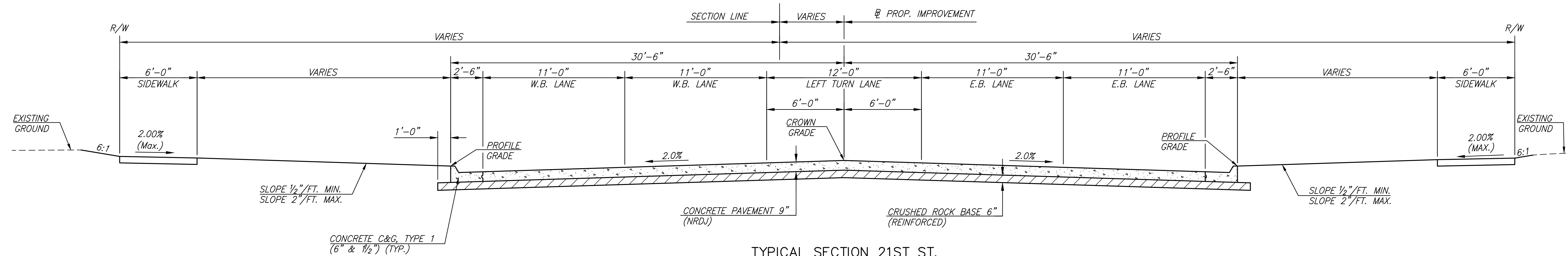
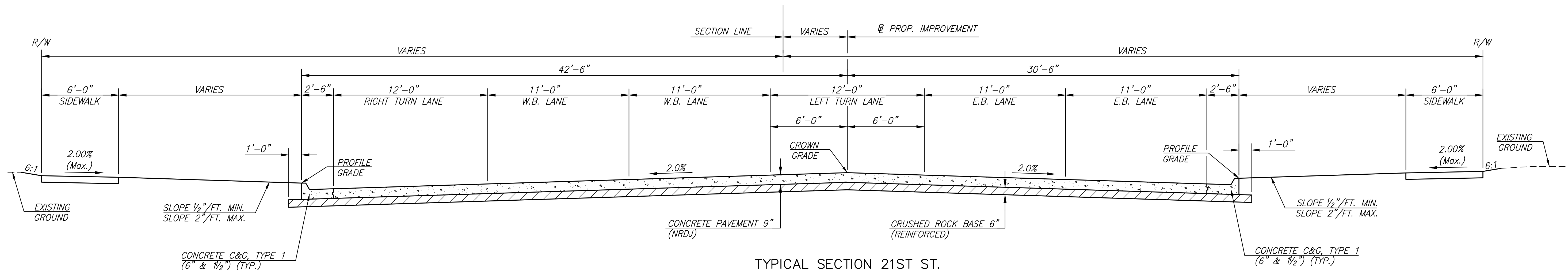


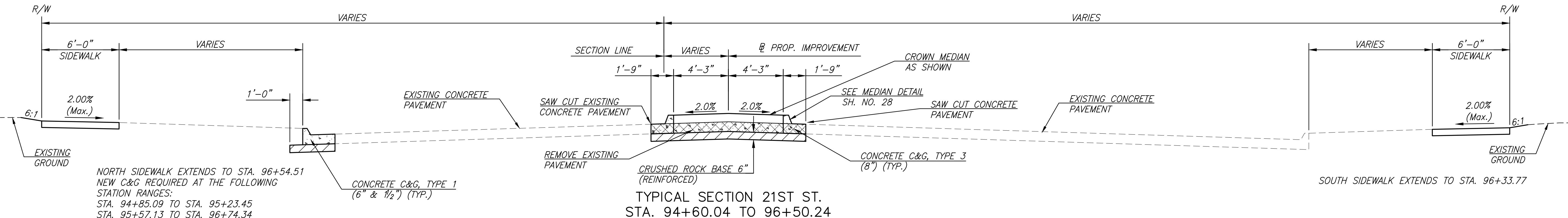
PLOTTED: Wednesday, December 28, 2022 @ 10:55AM
J:\PROJECTS\2021\101010465_COW_21ST STREET FROM MOSLEY TO I-135\00210465 CAD\SHOTS\05 CIVIL\PAVPHASE 1\210465 TYP SECT 1 PH 1.DWG



TYPICAL SECTION 21ST ST.
STA. 82+68.27 TO STA. 88+39.74

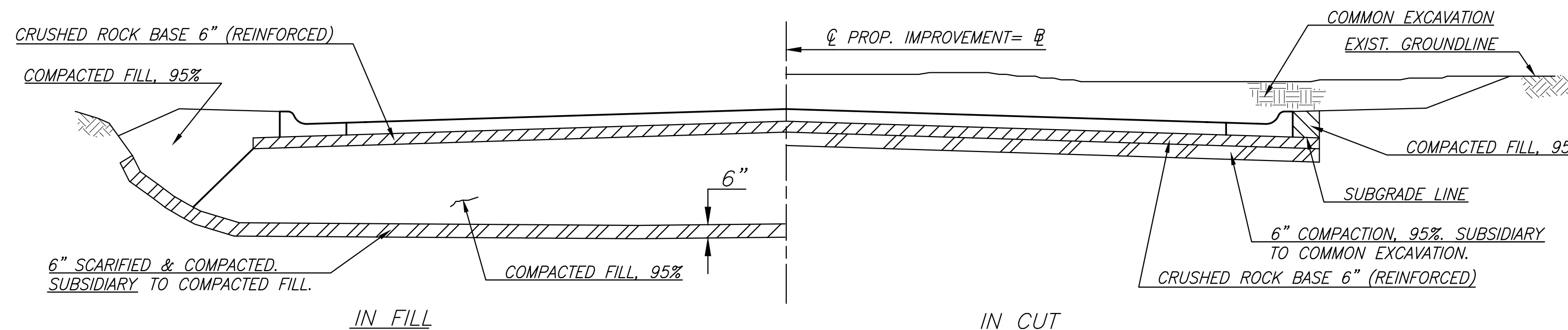


TYPICAL SECTION 21ST ST.
STA. 90+90.35 TO STA. 94+08.98



TYPICAL SECTION 21ST ST.
STA. 94+60.04 TO 96+50.24

SECTION LINE VARIANCE TABLE		
BL STATION	OFFSET FROM BL	NOTES
76+45.47	0'	BL=SECTION LINE, S 1/4 COR. SEC. 4, T27S, R1E
82+68.27	0'	
94+08.98	18.24' LT.	
96+50.24	18.32' LT.	



FOUNDATION TREATMENT AND COMPACTION OF EARTHWORK

©2022 MKEC Engineering All Rights Reserved www.mkec.com
These drawings and their contents, including, but not limited to, all concepts, designs, & ideas are the exclusive property of MKEC Engineering (MKEC), and may not be used or reproduced in any way without the express consent of MKEC.

TYPICAL SECTIONS

PROJECT NO.	472-2021-085733	
DATE	12/28/2022	
SCALE	NTS	
DESIGNED	DRAWN	CHECKED
SLF	BKS	JRA

NO.	REVISION	DATE
-----	----------	------

SHEET NO.