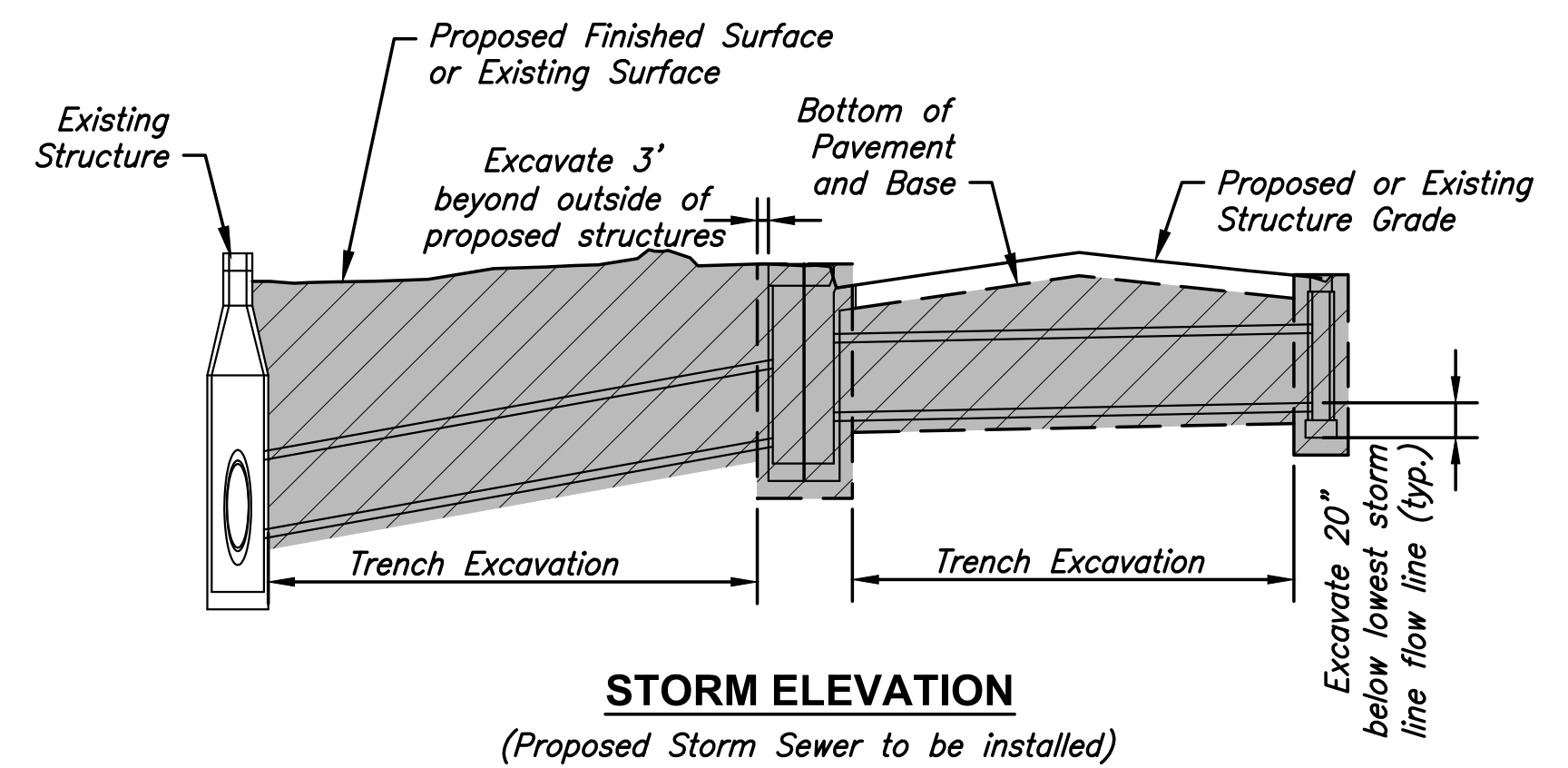
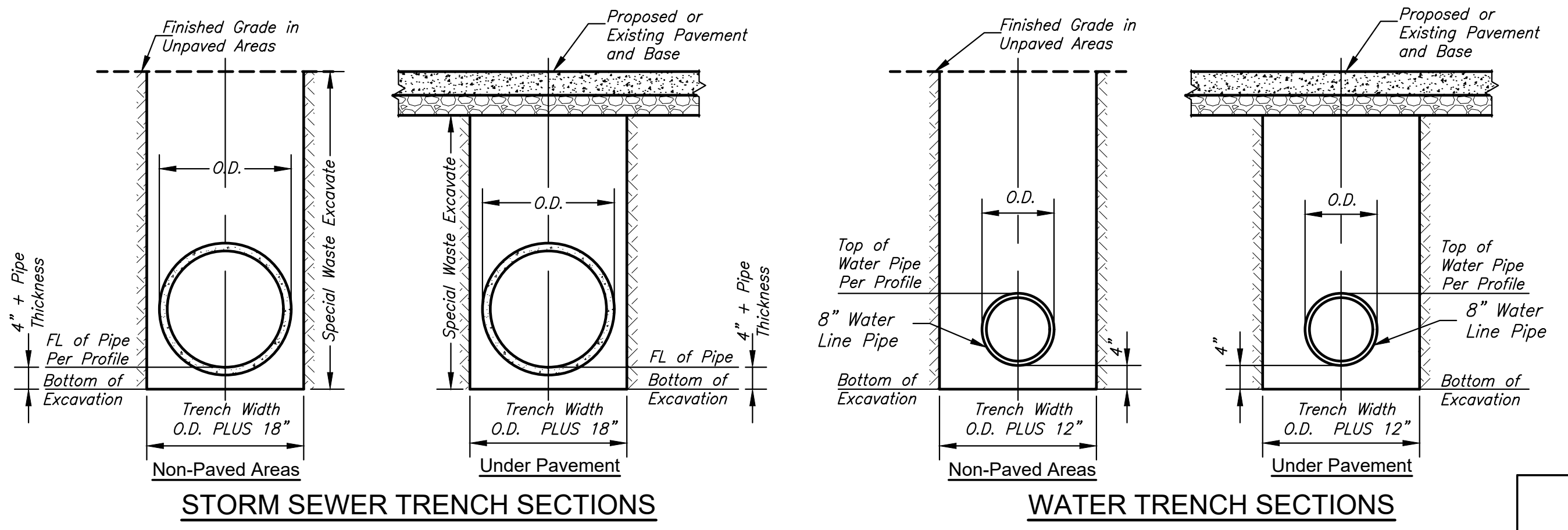
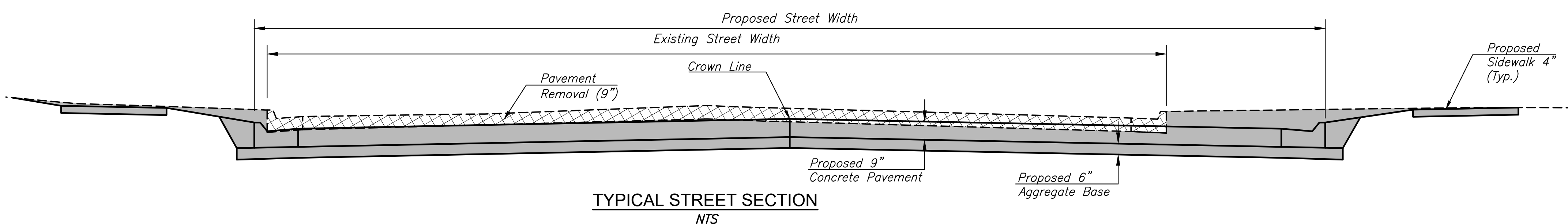
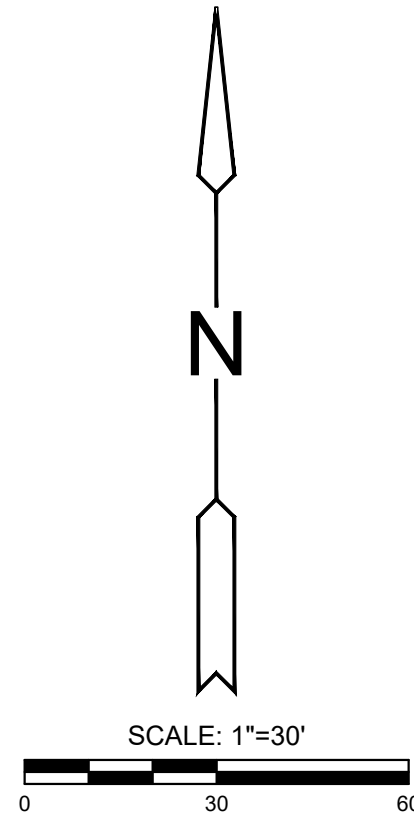
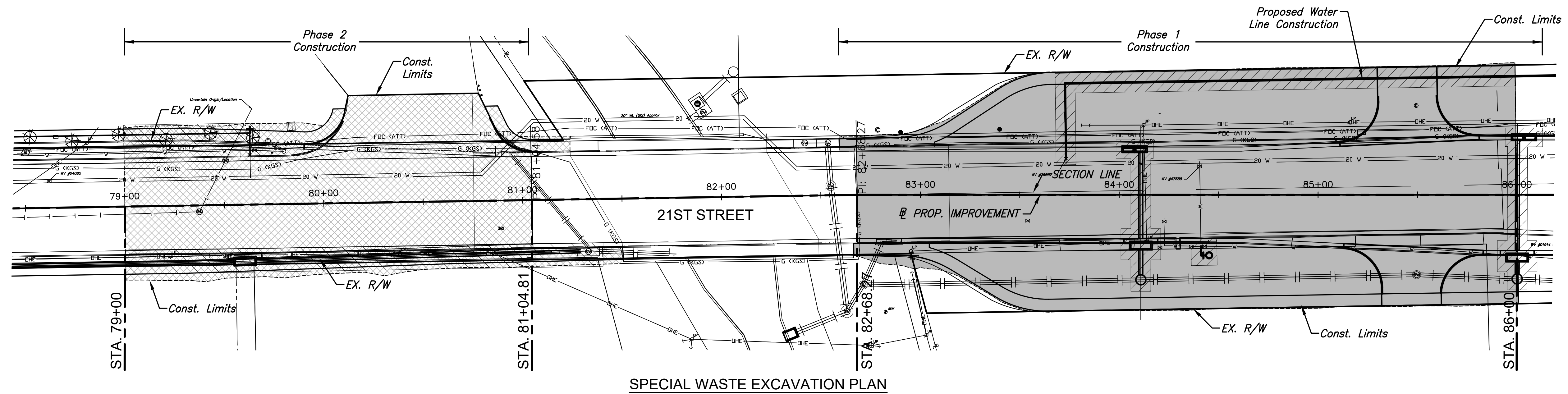
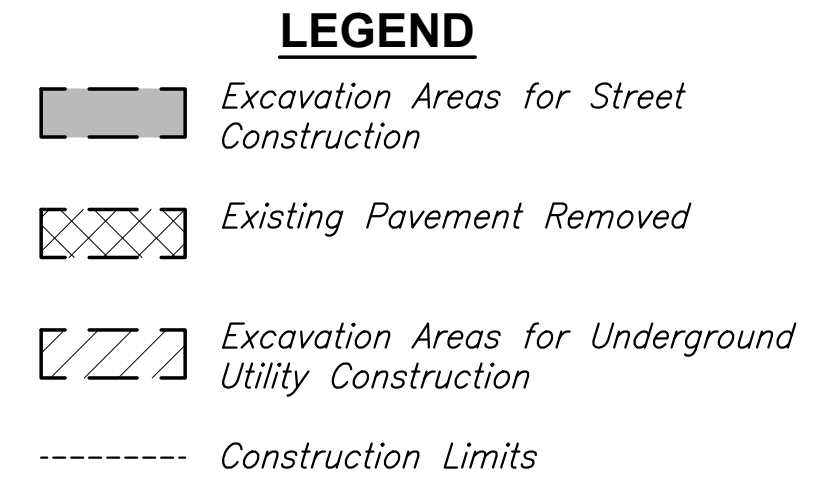


J:\PROJECTS\2021\1010465_COW_21ST STREET FROM MOSLEY TO I-195\00 210465 SPECIAL WASTE EXCAVATION 1.DWG
 J:\PROJECTS\2021\1010465_COW_21ST STREET FROM MOSLEY TO I-195\00 210465 CAD\SHITS\05 CIVIL\PAVPHASE 1\210465 SPECIAL WASTE EXCAVATION 1.DWG
 PLOTTED: Wednesday, December 28, 2022 @ 11:00AM



- NOTES:**
- Quantities provided are for information only.
 - Excavation quantities shown on this sheet include all pervious material within the excavation limits as outlined. The volume of impervious materials such as existing pavement, concrete inlets and storm sewer pipes have been subtracted from the quantities shown.
 - For the purposes of calculating quantities, an existing pavement depth of 9" was assumed.
 - Excavation quantities for the construction of proposed storm sewer structures were calculated based on excavating around the outside limits of the structure a distance of 3' on all sides.
 - Excavation quantities calculated for any given pipe trench is based on the Trench Details on this sheet.
 - Refer to Section 307 of the Special Provisions.
 - Phase 1 applies from Sta. 82+68.27 to Sta. 86+00.00 Only. Phase 2 applies from Sta. 79+00 to Sta 81+04.58; however, Phase 2 is not included in this construction contract.

ITEMS	QUANTITY EXCAVATION		NOTES
	PHASE 1 CONSTRUCTION QUANTITY (C.Y.)	PHASE 2 CONSTRUCTION QUANTITY (C.Y.)	
Excavation for New Street	1,248	384	Includes excavation for sidewalk, driveways and grading within street
Excavation for Storm Sewers	212	192	Includes excavation for inlets and manholes
Excavation for Water Lines	90	23	
TOTAL	1,550	599	



NOTE:
Elevation views are shown with a vertical exaggeration for clarity.

©2022 MKEC Engineering All Rights Reserved
 These drawings and their contents, including, but not limited to, all concepts, designs, & ideas are the exclusive property of MKEC Engineering (MKEC), and may not be used or reproduced in any way without the express consent of MKEC.

SPECIAL WASTE EXCAVATION DETAILS

PROJECT NO.	472-2021-085733
DATE	12/28/2022
SCALE	1"=30'
DESIGNED	SLF
DRAWN	KP
CHECKED	JRA

NO. REVISION DATE