

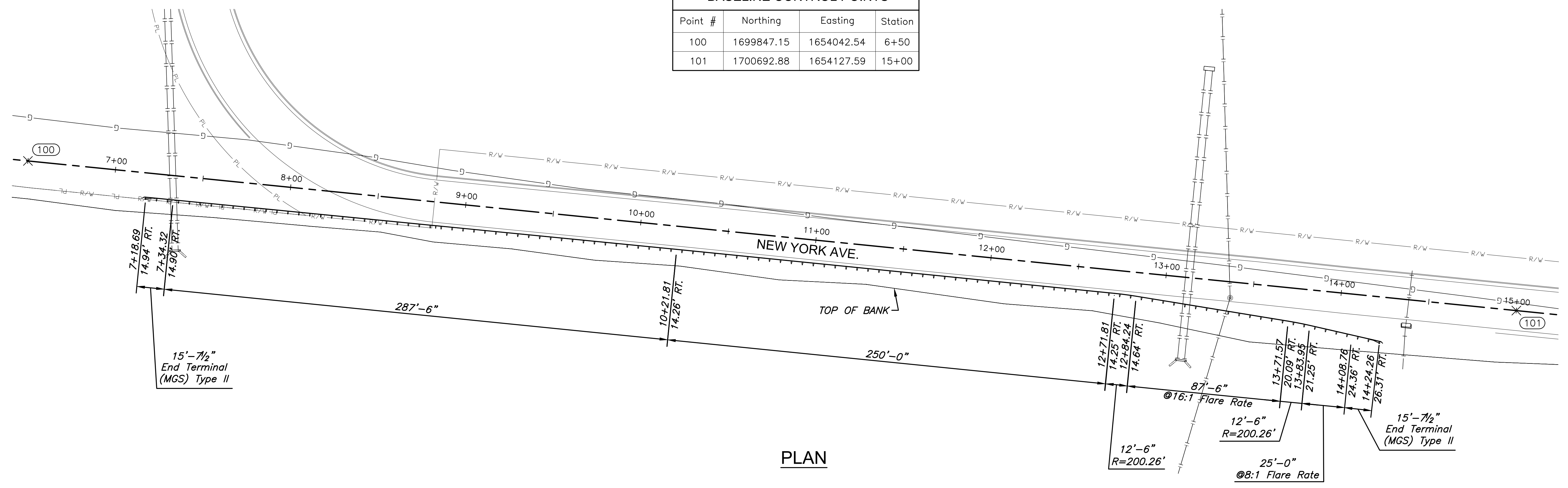
PLOTTED: Wednesday, December 28, 2022 @ 11:03AM

J:\PROJECTS\2021\2101010455_COW_21ST STREET FROM MOSLEY TO I-135\00 210455 CAD\SHS\05 CIVIL\GUARDRAIL\210455 GUARDRAIL_LAYOUT.DWG



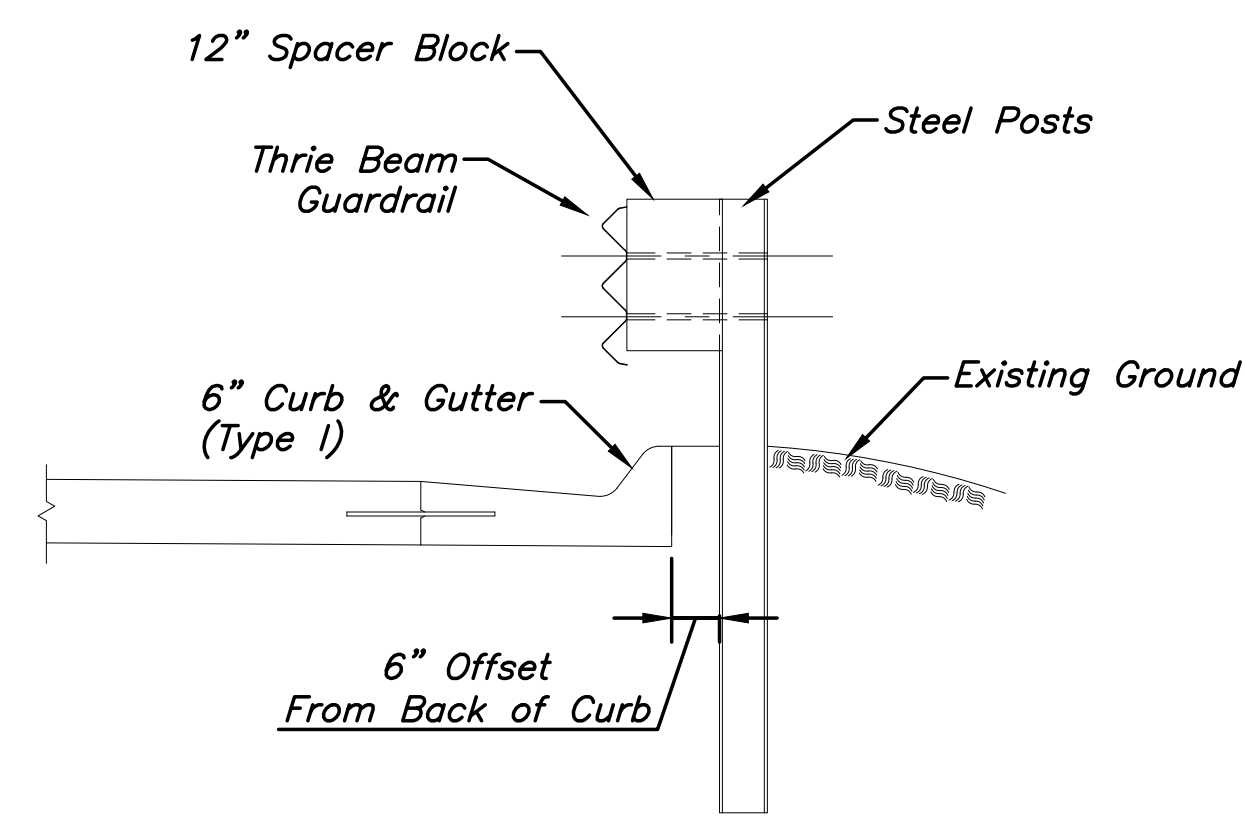
NOTE: All measurements are to roadway face of post.

BASELINE CONTROL POINTS			
Point #	Northing	Easting	Station
100	1699847.15	1654042.54	6+50
101	1700692.88	1654127.59	15+00



PLAN

NOTE:
SEE SHEET 18 FOR
GUARDRAIL DETAILS.



TYPICAL SECTION

Sta. 8+82.18 to Sta. 12+71.81

STREET IMPROVEMENTS FOR
21ST STREET - MOSLEY TO I-135
PHASE 1

©2022
MKEC Engineering
All Rights Reserved
www.mkec.com
These drawings and their contents, including, but not limited to, all concepts, designs, & ideas are the exclusive property of MKEC Engineering (MKEC), and may not be used or reproduced in any way without the express consent of MKEC.

GUARDRAIL
LAYOUT

PROJECT NO.	472-2021-085733	
DATE	12/28/2022	
SCALE	1"=30'	
DESIGNED	DRAWN	CHECKED
SLF	ZSS	JRA

NO.	REVISION	DATE

SHEET NO.