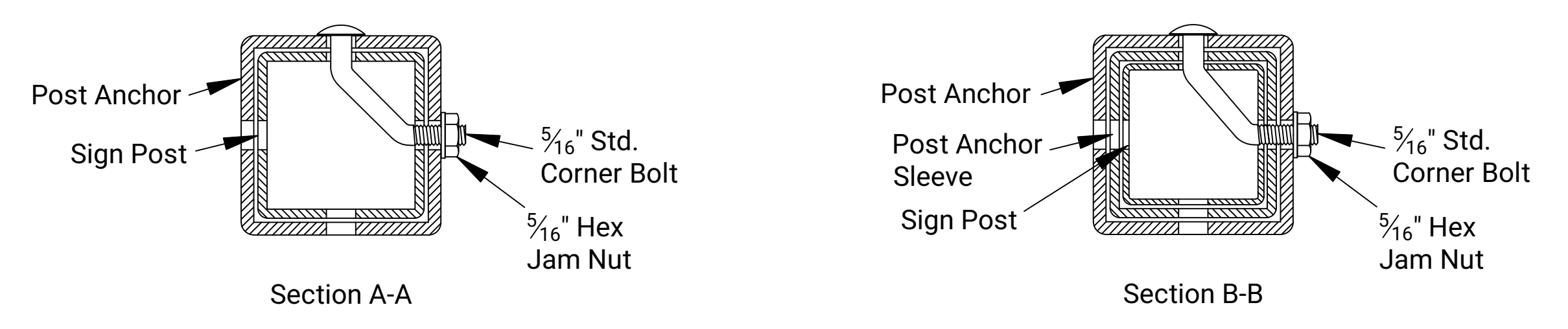
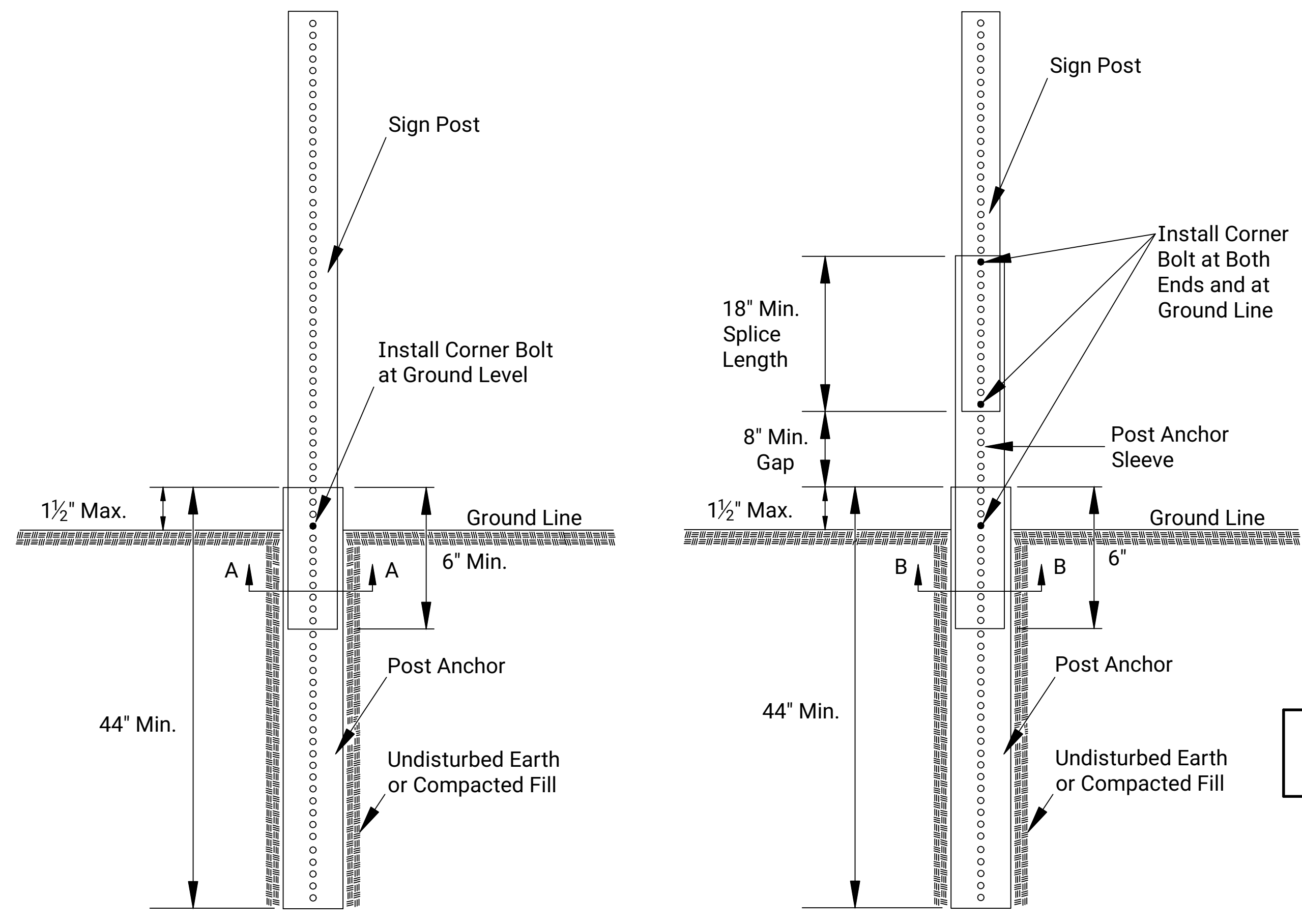


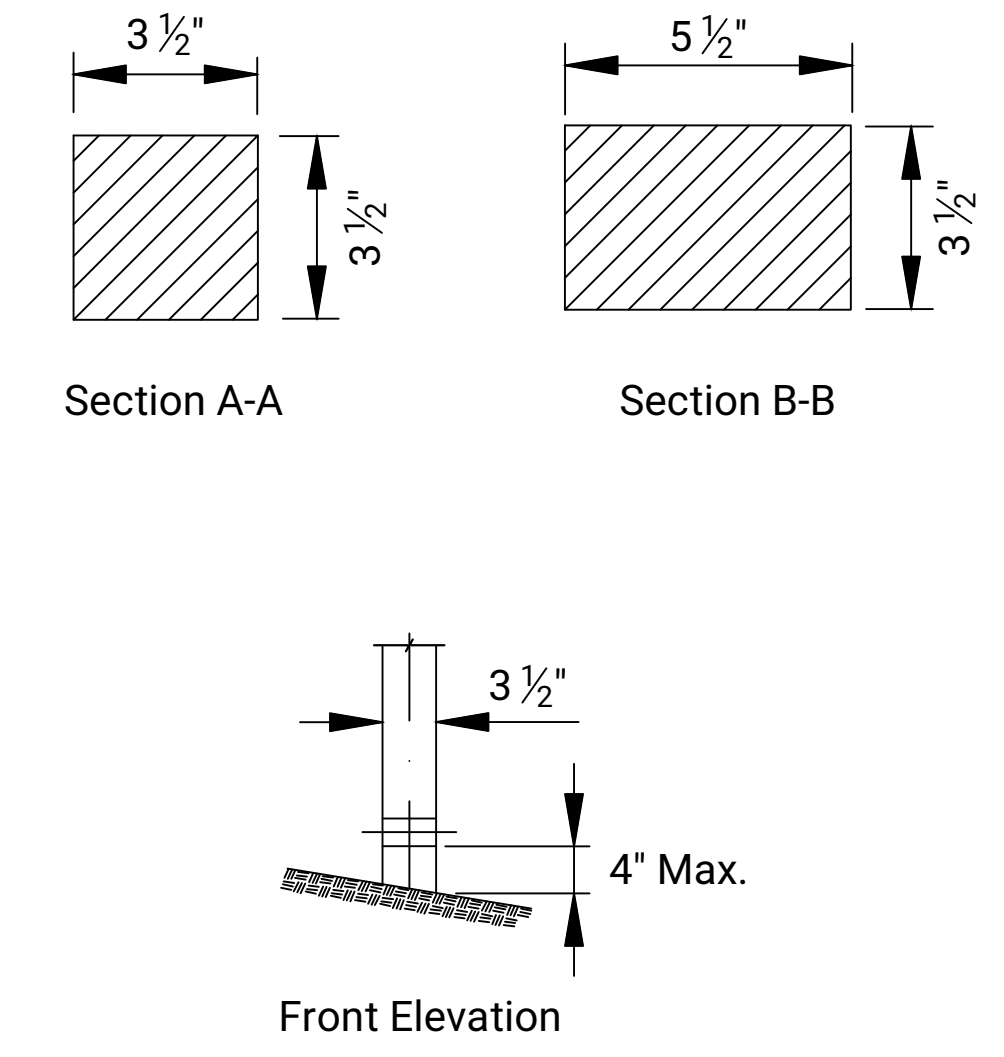
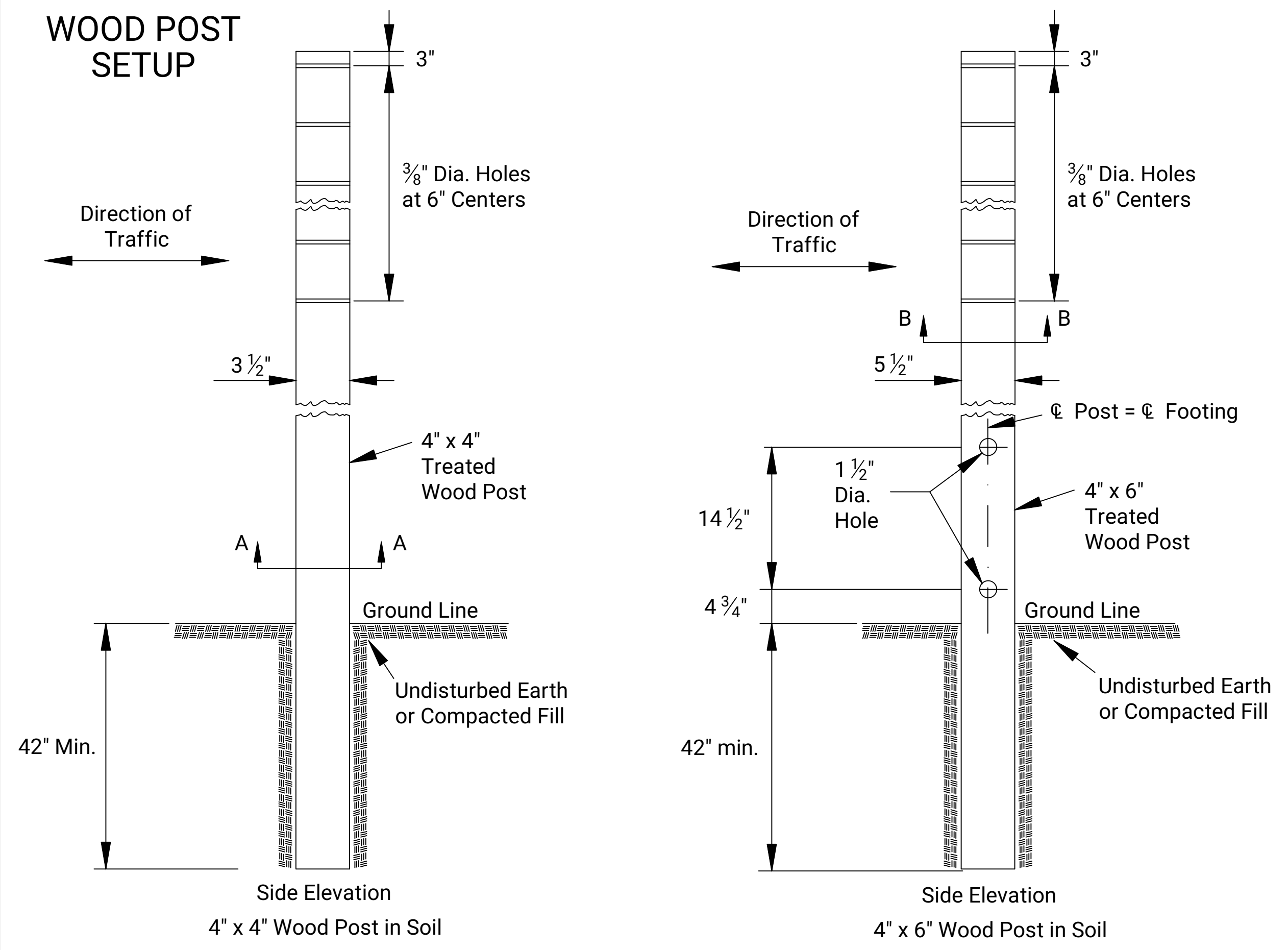
STATE	PROJECT NO.	YEAR	SHEET NO.	TOTAL SHEETS
KANSAS	472-2021-085733	2022	78	92

PERFORATED SQUARE STEEL TUBE (P.S.S.T.) POST SETUP



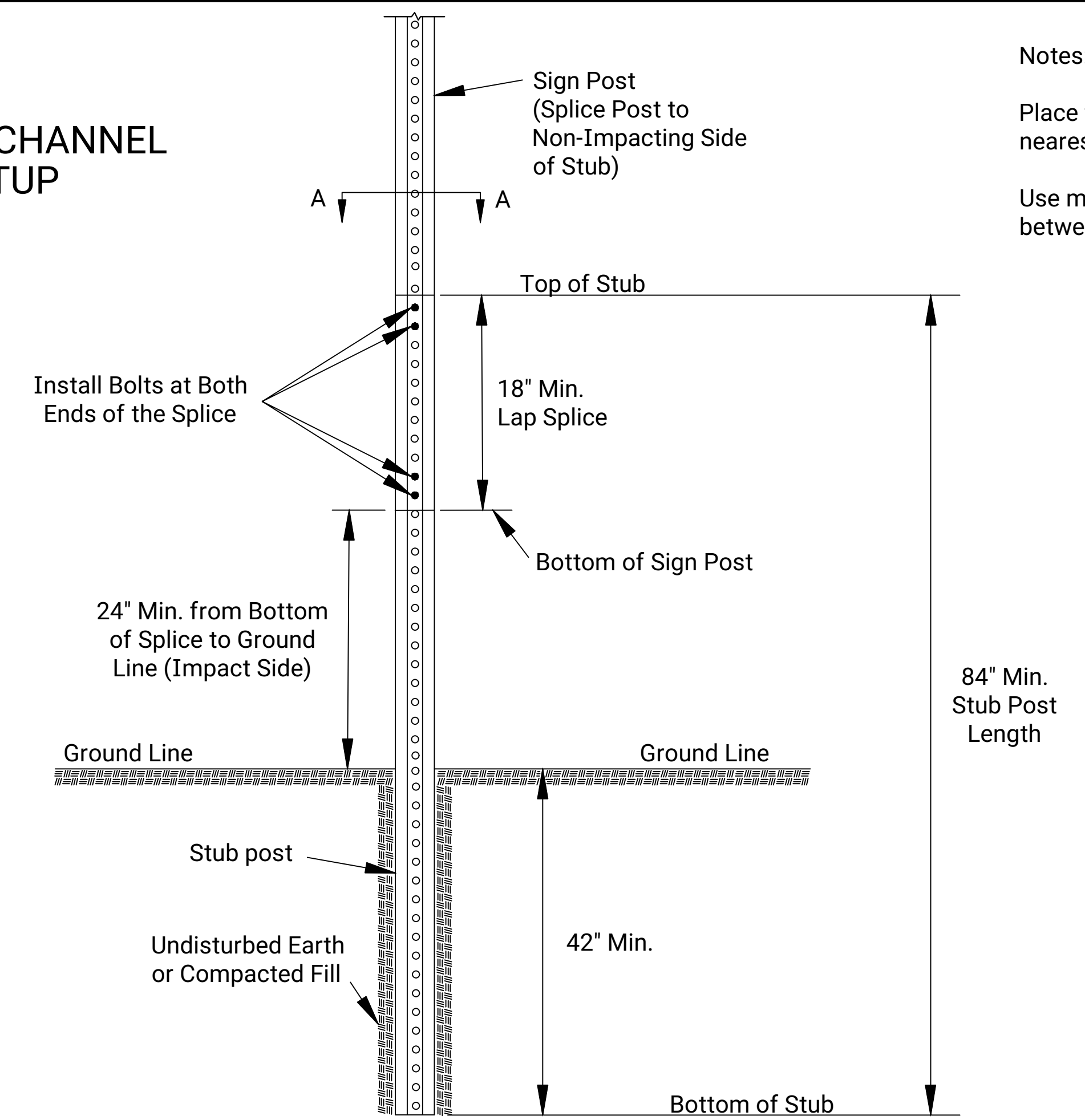
Details for 2", 2 1/4", or 2 1/2" sign posts
Place bolts in the same corner along each sign post.

WOOD POST SETUP



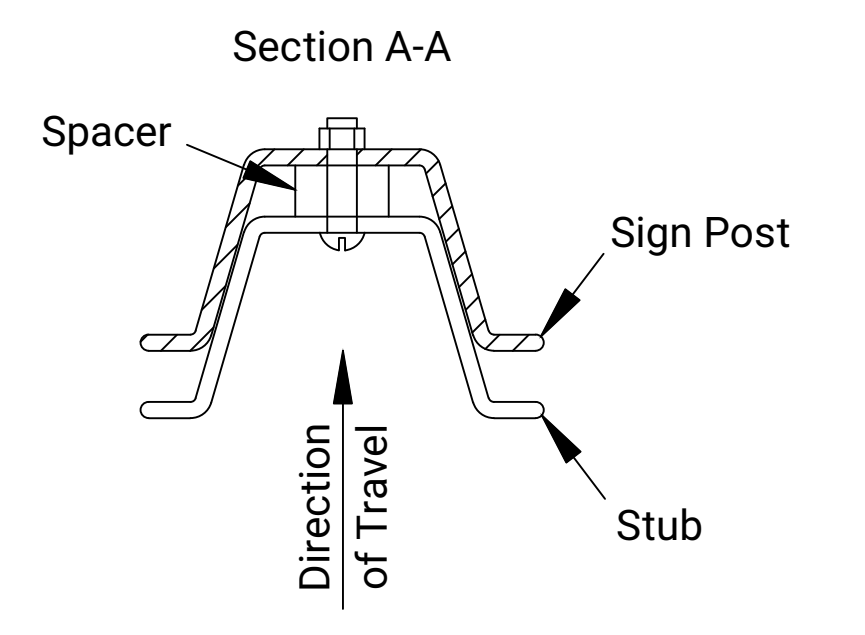
See TE710 for Additional Details and Requirements

3 LB/F U-CHANNEL SETUP



Notes:

- Place two bolts at both ends of the splice through the holes nearest the ends of the splice.
- Use manufacturer recommended spacers over the bolts between the spliced pieces of U-Channel.



NO.	DATE	REVISIONS	BY	APP'D
KANSAS DEPARTMENT OF TRANSPORTATION				
TRAFFIC CONTROL SIGN POSTS				
TE712				
FHWA APPROVAL	06-01-15	APP'D.	Kristina Ericksen	
DESIGNED	B.A.H.	DETAILED	R.W.B.	QUANTITIES
DESIGN CK.	DETAIL CK.	QUAN. CK.	TRACE	CK.
KDOT Graphics Certified 05-24-2022 Sh. No. 78				

Drawn By: \$\$USERNAME\$\$ Plotted: \$\$\$SYTIME\$\$\$
 File: \$\$\$FILENAME\$\$\$
 J:\PROJECTS\2021\101010465_COW_21ST STREET FROM MOSLEY TO I-190\00 210465 CAD\SHITS\05 CIVIL\TRAFFIC\TE712.DWG

KDOT Graphics Certified