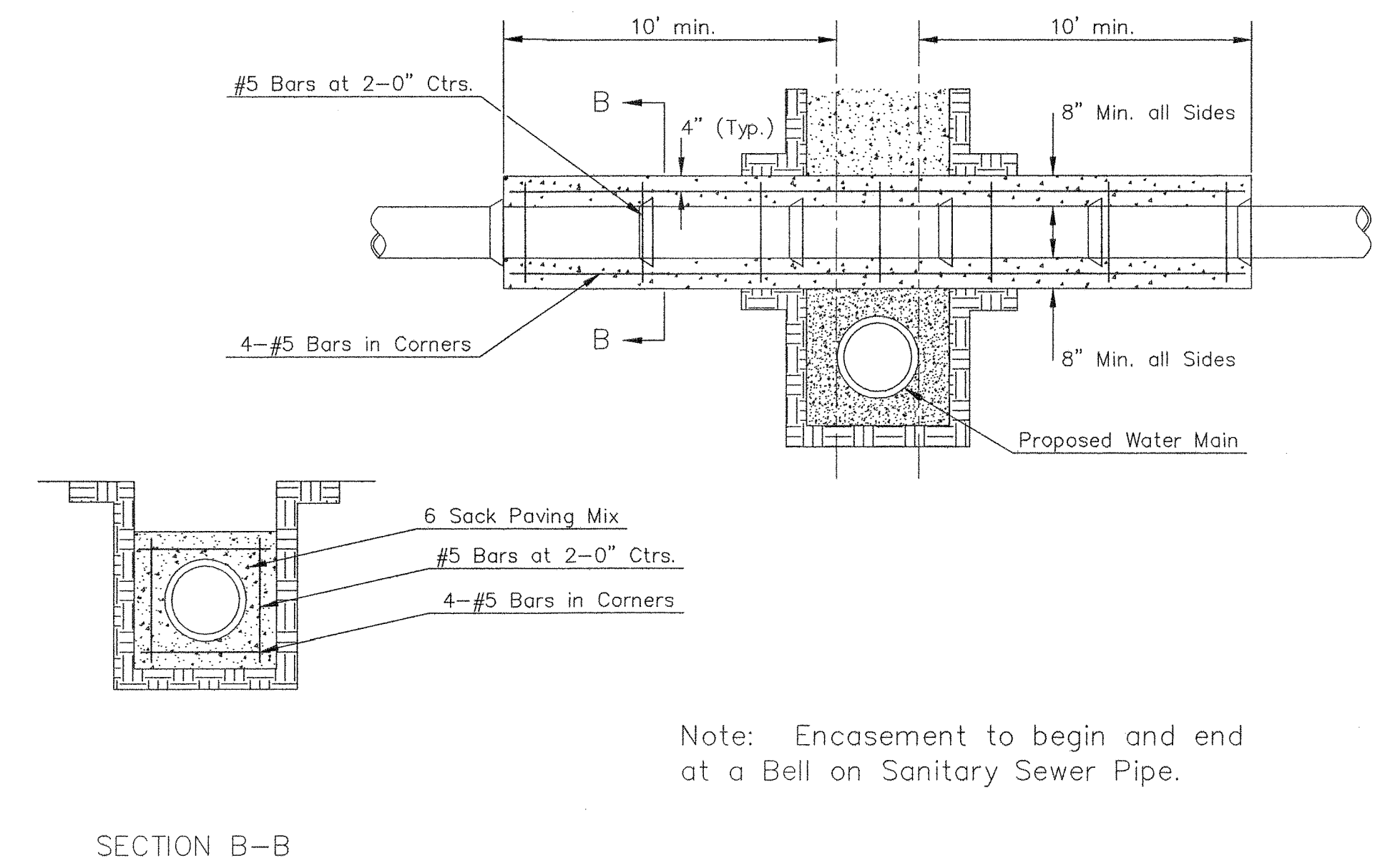


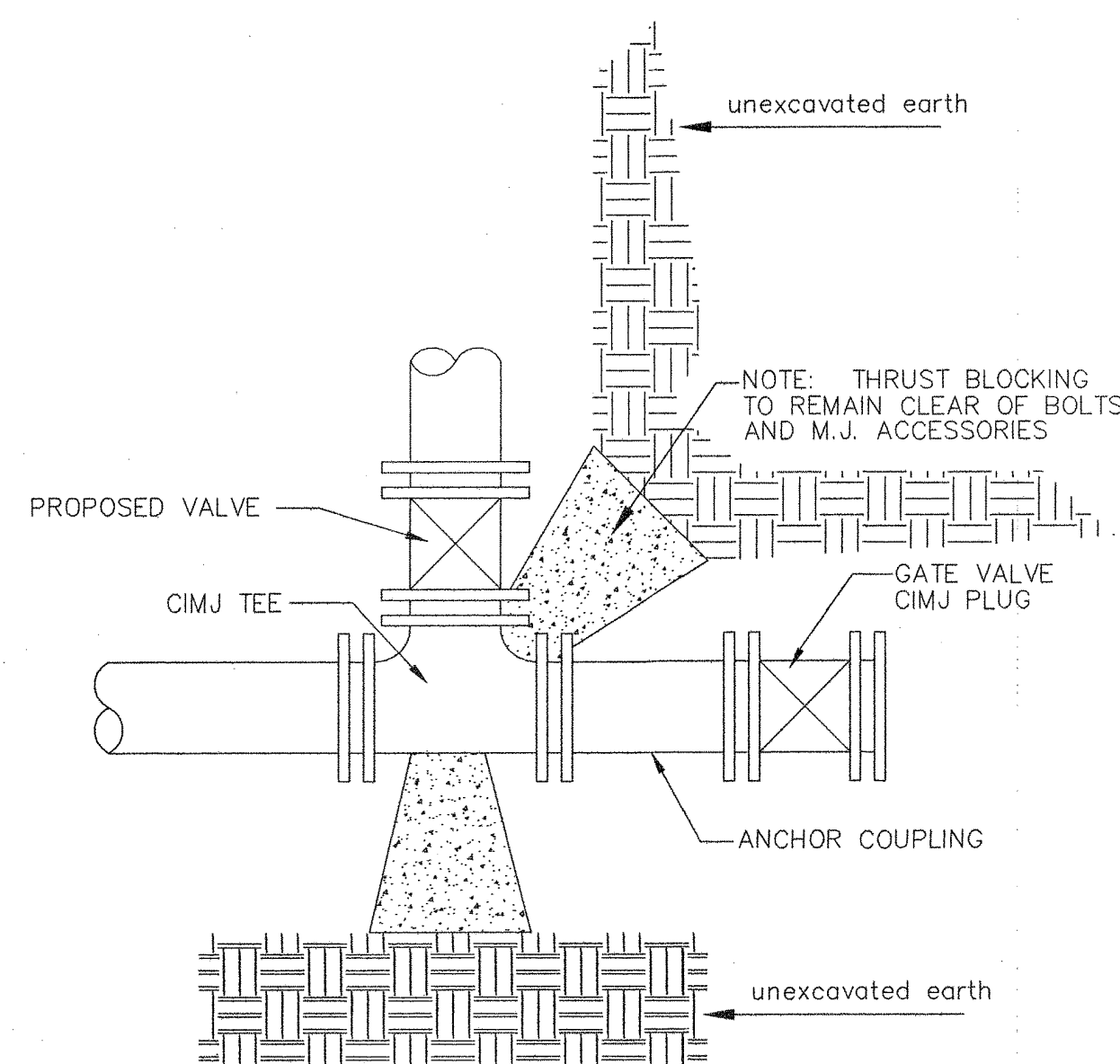
TRENCH COMPACTION IN ROAD RIGHT-OF-WAY



REINFORCED CONCRETE ENCASEMENT OF SANITARY SEWER

PIPE SIZE	THRUST AT FITTINGS IN TONS--AT 150#/IN ² P					
	PLUG	90°	45°	22 1/2°	11 1/4°	TEE
6"	2.8	3.95	2.15	1.09	.55	2.8
8"	4.9	6.95	3.75	1.90	.96	4.9
12"	11.4	16.1	8.75	4.45	2.25	11.4
16"	20.15	28.5	15.4	7.85	3.95	20.15
20"	31.15	44.0	23.85	12.15	6.10	31.15
24"	44.55	63.0	34.1	17.4	8.75	44.55

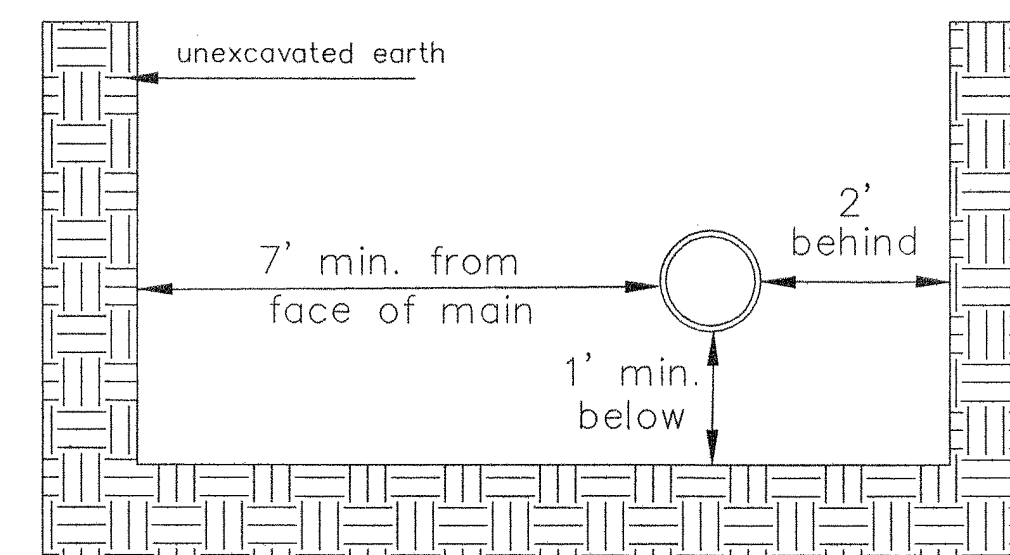
TYPICAL THRUST BLOCKS



KEY BLOCK DETAIL

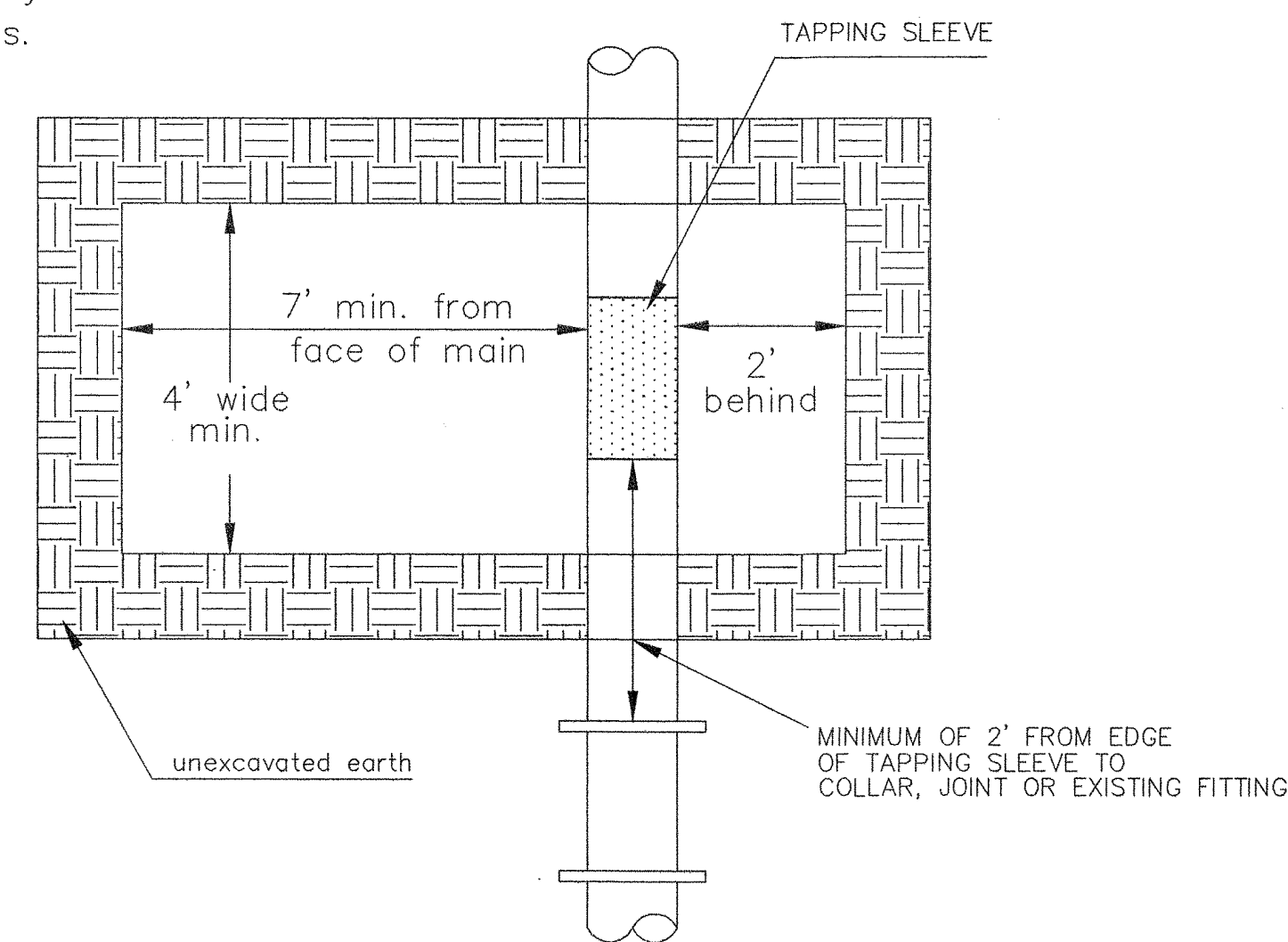
* PLANS GOVERN UNLESS OTHERWISE NOTED ON PLANS

SIDE VIEW



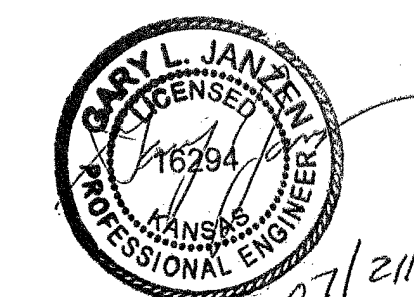
Note: When shoring is required it is to be per The City of Wichita Standard Specifications.

TOP VIEW



EXCAVATION FOR WET TAP

PAVEMENT REPLACEMENT & TRENCH COMPACTION UNDER EXISTING AND PROPOSED CITY ROADS



CITY OF WICHITA
PUBLIC WORKS & UTILITIES ENGINEERING DIVISION

MISCELLANEOUS WATER DETAILS
CITY ENGINEER
GARY JANZEN, P.E.

PROJECT NUMBER 448-2022-024799	OCA NUMBER 47118622	DATE JAN 2023
CITY ENGINEER'S OFFICE CITY HALL - SEVENTH FLOOR 455 NORTH MAIN STREET WICHITA, KANSAS 67202-1620 (316) 268-4501		SHEET 03 OF 18

REVISED: JULY 2015