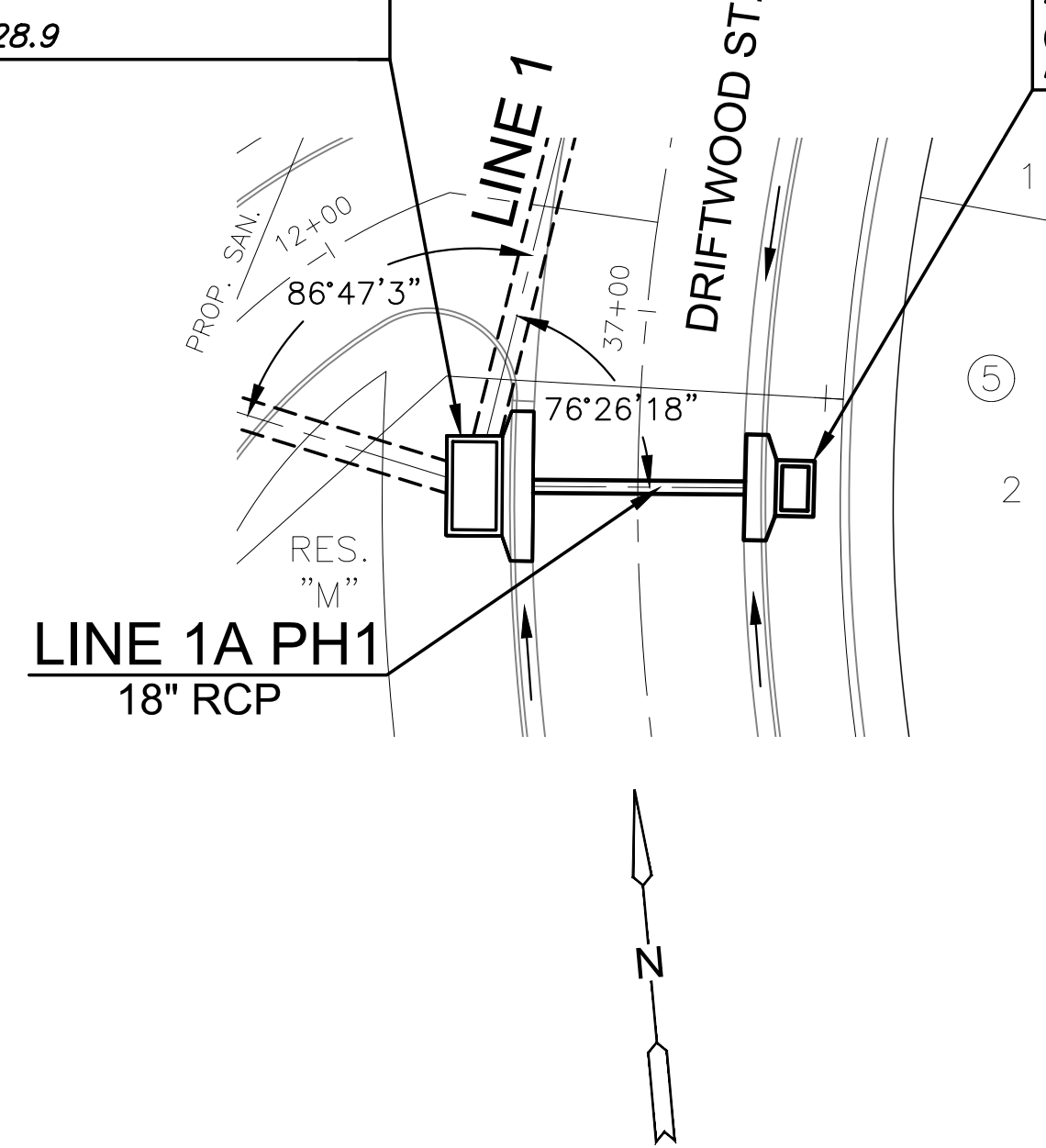
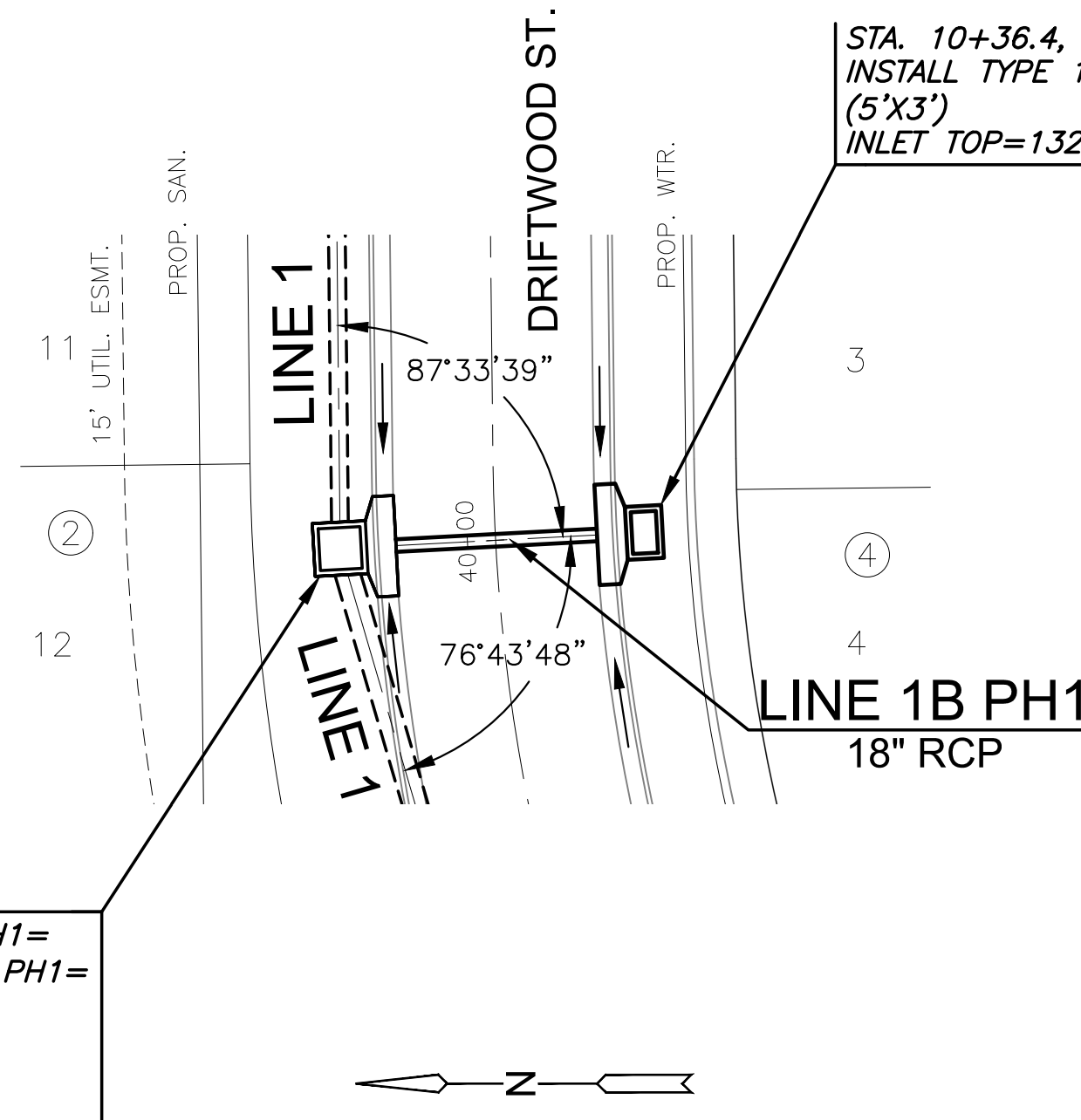


STA. 10+00.0, SWS LINE 1A PH1=
 STA. 12+22.91, SWS LINE 1 PH1=
 BL. STA. 36+80.00, 18.5' LT.
 TYPE 1A CURB INLET
 (10'X5')
 INLET TOP=1328.9



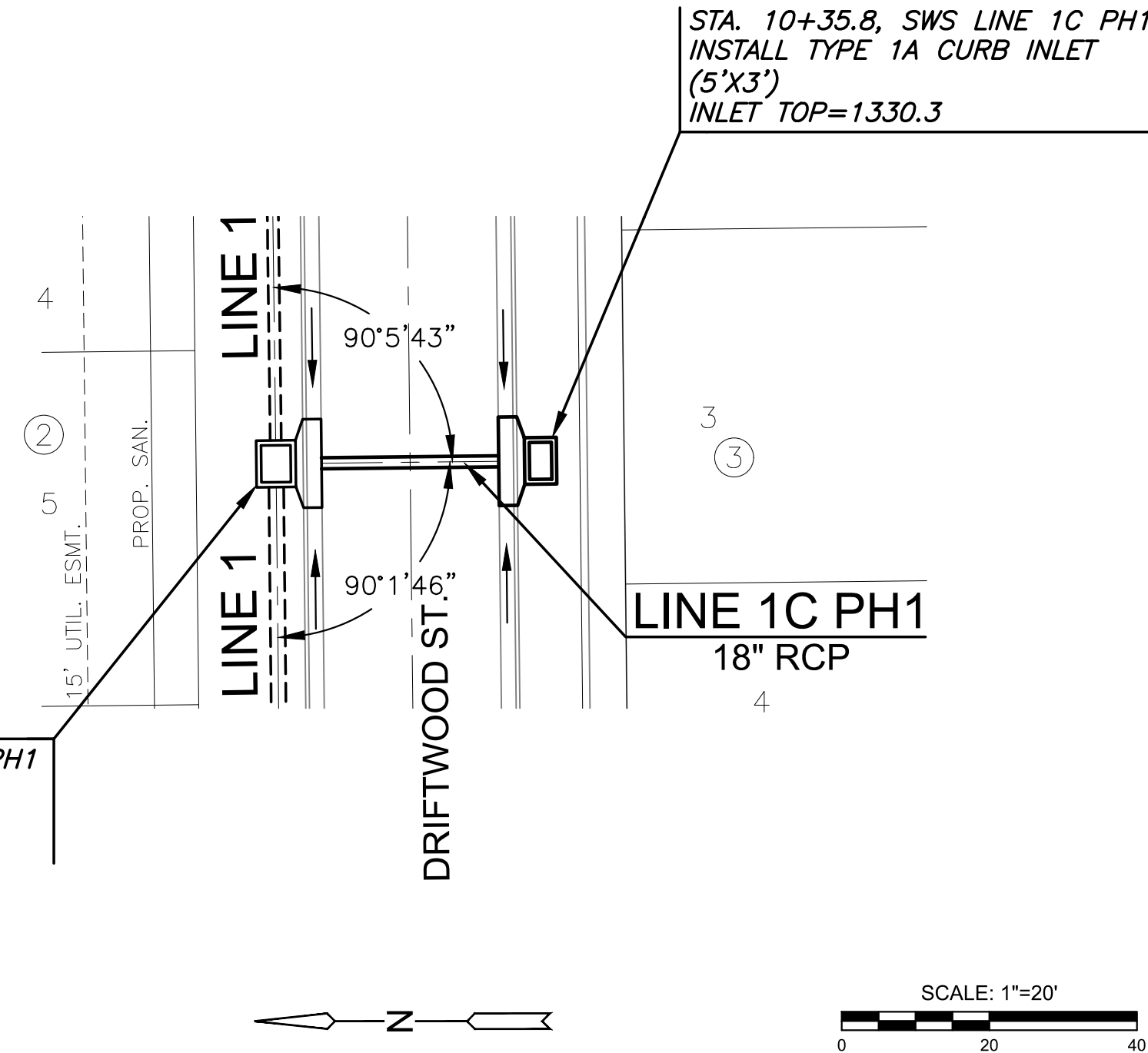
STA. 10+36.4, SWS LINE 1A PH1=
 BL. STA. 36+80.00, 17.9' RT.
 INSTALL TYPE 1A CURB INLET
 (5'X3')
 INLET TOP=1328.9

STA. 15+80.8, SWS LINE 1 PH1=
 STA. 10+00.00, SWS LINE 1B PH1=
 BL. STA. 40+00.00, 18.6' LT.
 TYPE 1A CURB INLET
 (5'X5')
 INLET TOP=1329.5



STA. 10+36.4, SWS LINE 1B PH1
 INSTALL TYPE 1A CURB INLET
 (5'X3')
 INLET TOP=1329.5

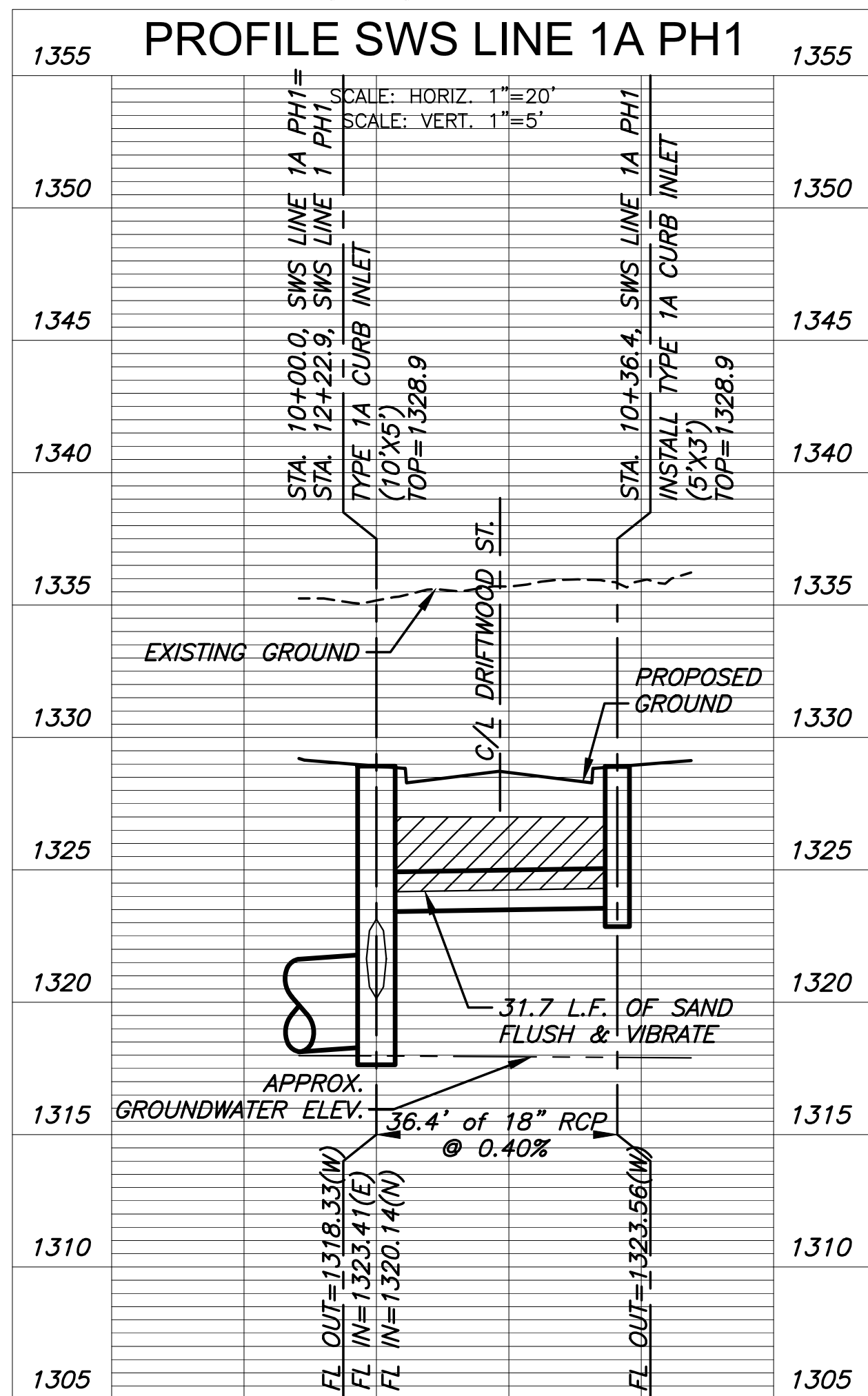
STA. 19+31.5, SWS LINE 1 PH1
 TYPE 1A CURB INLET
 (5'X4')
 INLET TOP=1330.3



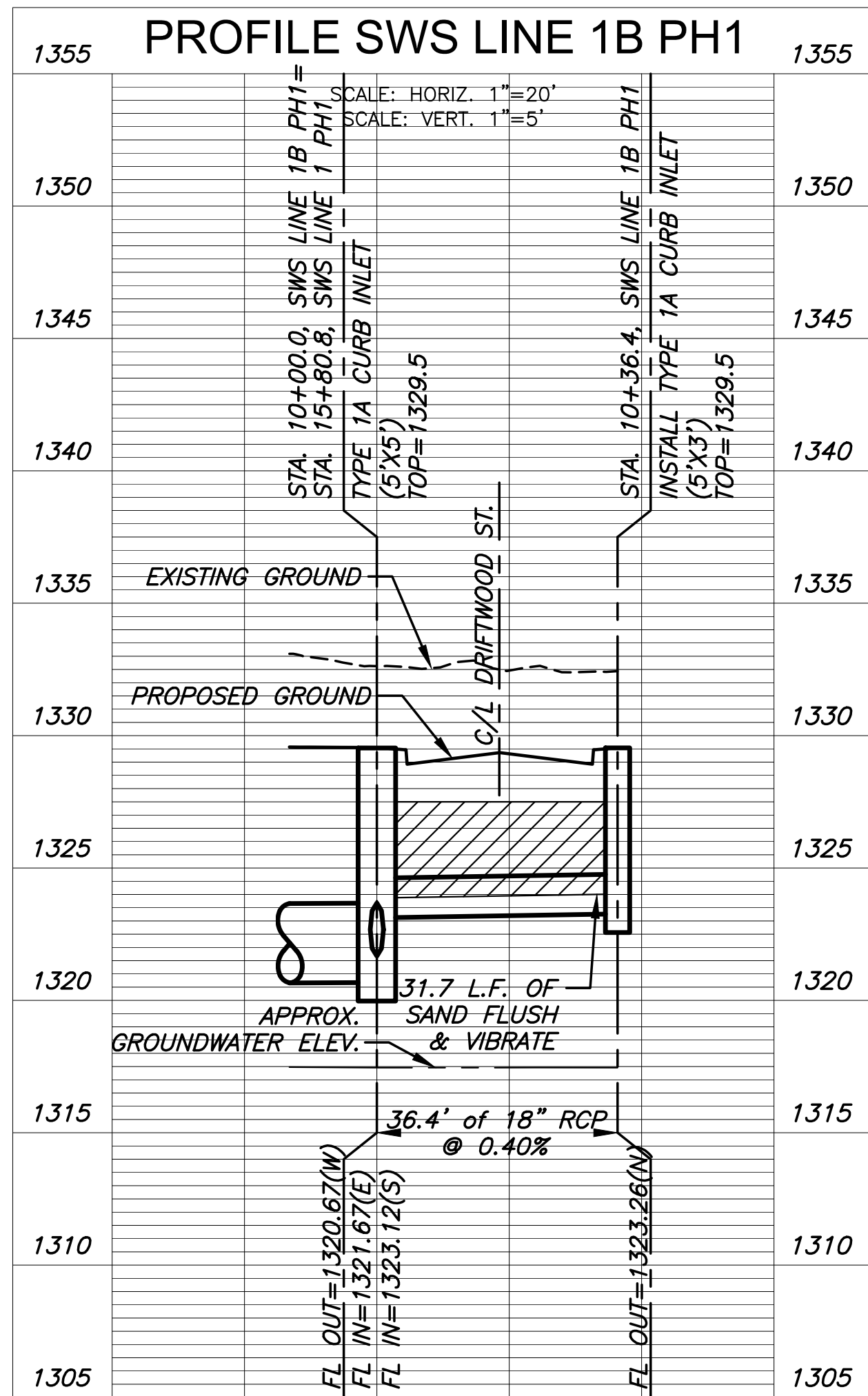
STA. 10+35.8, SWS LINE 1C PH1
 INSTALL TYPE 1A CURB INLET
 (5'X3')
 INLET TOP=1330.3

NOTE:
 CONTRACTOR TO VERIFY THE
 DEPTH AND LOCATION OF EXISTING
 UTILITIES PRIOR TO CONSTRUCTION.

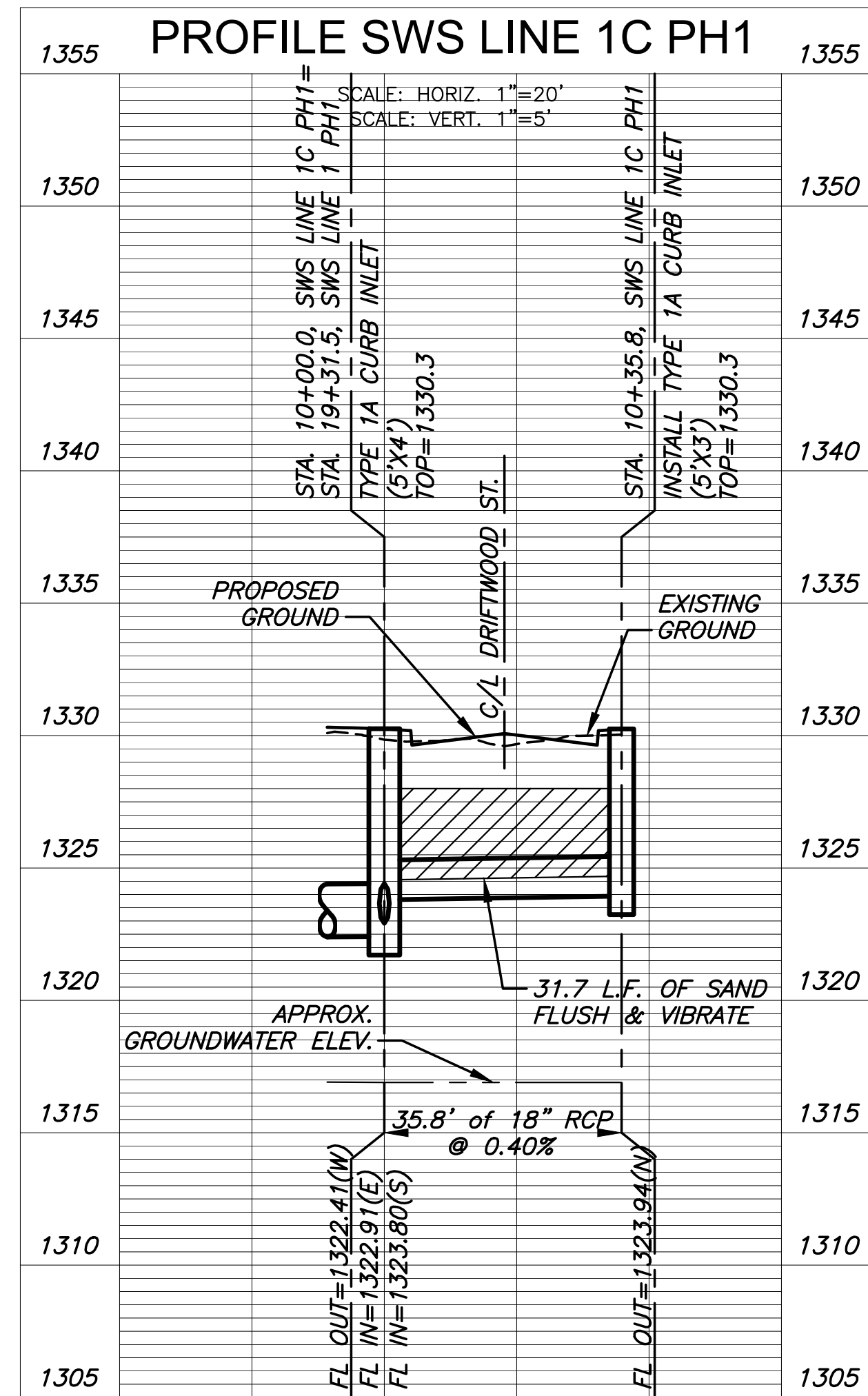
PLAN SWS LINE 1A PH1



PLAN SWS LINE 1B PH1



PLAN SWS LINE 1C PH1



©2023
 MKEC Engineering
 All Rights Reserved
 www.mkec.com
 These drawings and their contents,
 including, but not limited to, all concepts,
 designs, & ideas are the exclusive
 property of MKEC Engineering (MKEC),
 and may not be used or reproduced in any
 way without the express consent of MKEC.

SWS LINE 1A-1C

PROJECT NO.	472-2022-085820A
DATE	JAN. 2023
SCALE	1" = 20'
DESIGNED	DFL
DRAWN	JWC
CHECKED	SPE

NO.	REVISION	DATE

SHEET NO.