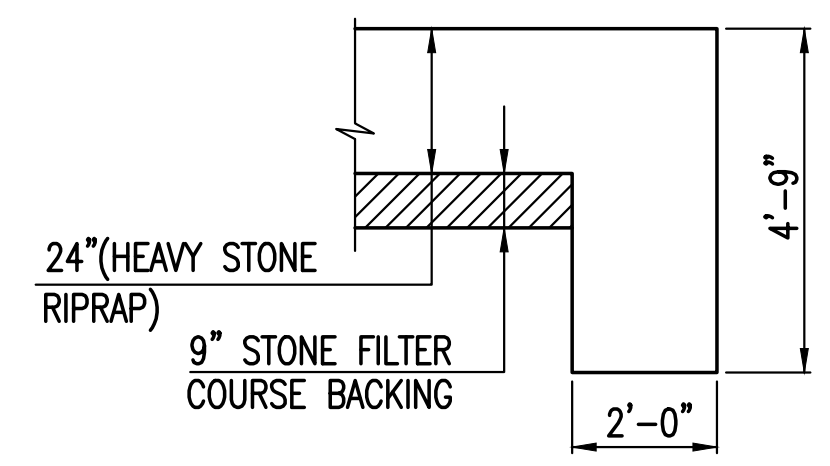


HEAVY DUTY (H.D.) COUPLER
NO SCALE

NOTES

1. BOLTS TO BE A-36 1 1/2" DIAMETER.
2. BOLTS, NUTS, WASHERS AND SLEEVES TO BE ZINC PLATED.
3. WASHERS TO BE 3 1/2" O.D. X 7 GAUGE.
4. SHIP WITH NUTS AND WASHERS PLACED ON BOLTS.

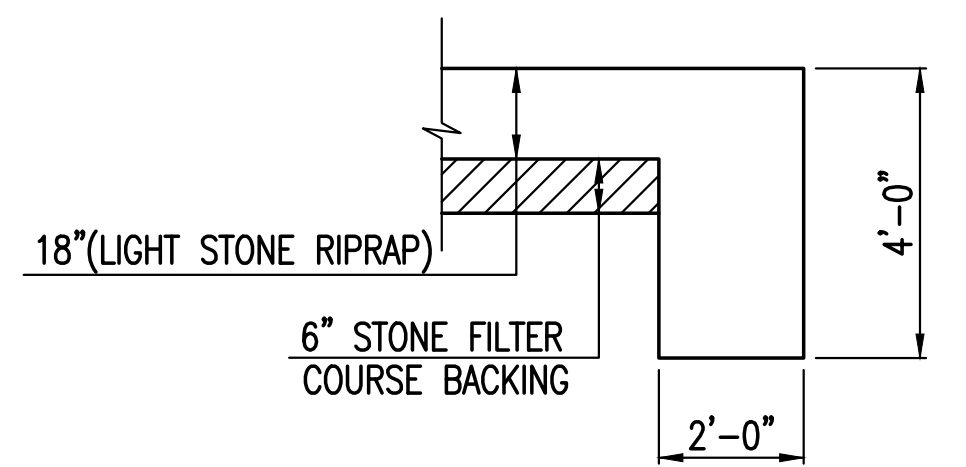


TYPICAL SECTION THRU TOEWALL
NO SCALE

NOTES

1. ALL RIPRAP FOR THIS PROJECT SHALL BE NATURAL STONE. NEITHER BROKEN CONCRETE, FABRIC ENVELOPE, NOR PREMIXED DRY PACKAGED CONCRETE BAG ALTERNATES WILL BE ALLOWED, UNLESS INDICATED OTHERWISE.
2. TOEWALLS SHALL BE INSTALLED ALONG ALL UNPROTECTED EDGES OF STONE RIPRAP.
3. GROUTING OF THE SURFACE OF THE RIPRAP SHALL NOT BE PERFORMED, UNLESS INDICATED OTHERWISE. GROUTING OF THE TOEWALLS SHALL BE PERFORMED PER CITY SPECIFICATIONS.

HEAVY STONE RIPRAP DETAILS

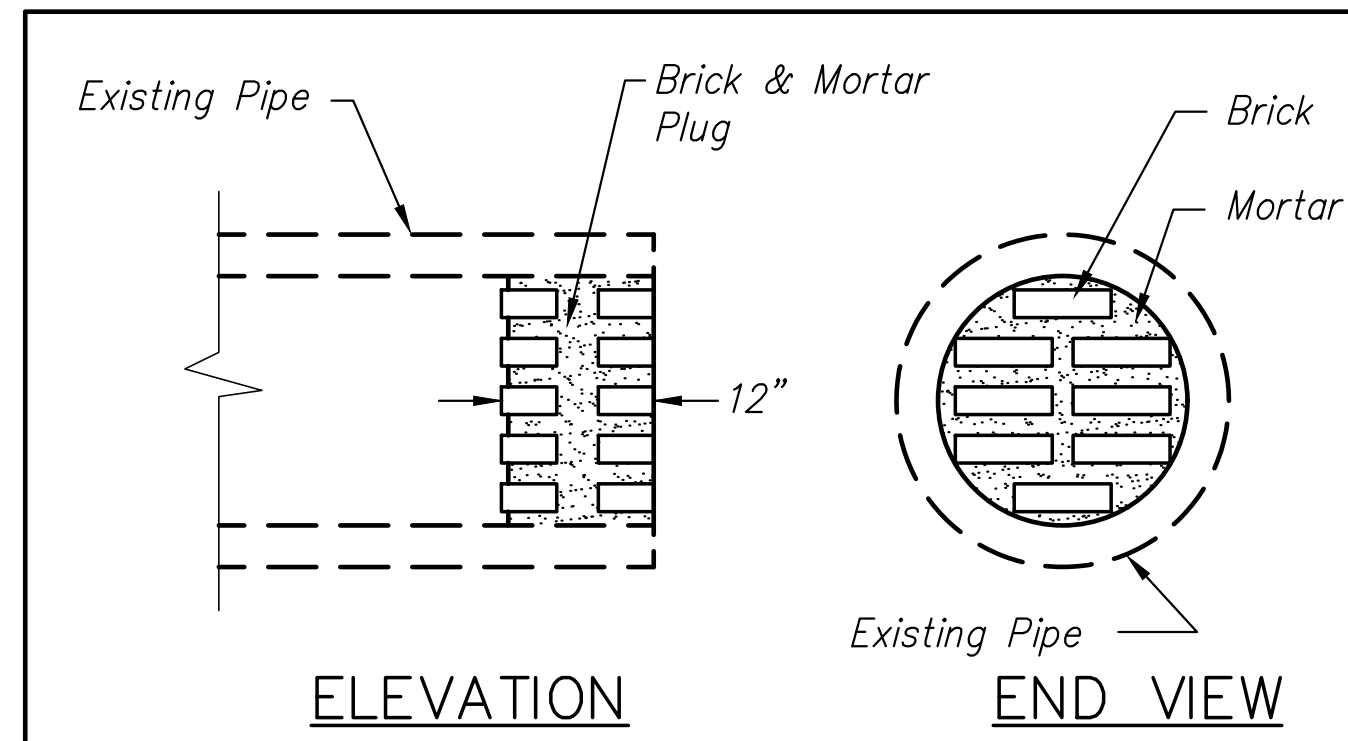


TYPICAL SECTION THRU TOEWALL
NO SCALE

NOTES

1. ALL RIPRAP FOR THIS PROJECT SHALL BE NATURAL STONE. NEITHER BROKEN CONCRETE, FABRIC ENVELOPE, NOR PREMIXED DRY PACKAGED CONCRETE BAG ALTERNATES WILL BE ALLOWED, UNLESS INDICATED OTHERWISE.
2. TOEWALLS SHALL BE INSTALLED ALONG ALL UNPROTECTED EDGES OF STONE RIPRAP.
3. GROUTING OF THE SURFACE OF THE RIPRAP SHALL NOT BE PERFORMED, UNLESS INDICATED OTHERWISE. GROUTING OF THE TOEWALLS SHALL BE PERFORMED PER CITY SPECIFICATIONS.

LIGHT STONE RIPRAP DETAILS



ELEVATION
END VIEW
PIPE PLUGGING DETAIL

NOTE:

Both ends of all pipes to be abandoned in place shall be plugged. Pipe plugs shall be constructed of brick masonry, with construction requirements and materials conforming to the same requirements as specified for Masonry construction in the Std. Specs. Pipes shall be plugged with 12" thick plugs. The construction of pipe plugs shall not be paid for directly, but shall be considered subsidiary to "Removal of Existing Structures."

The contractor may use other methods to plug existing pipe if approved by the project engineer.

Saved 01-11-2023 11:42:04 AM by LOWREY
 Plot Scale 1:1 02-06-2023 8:41:44 AM by LORRANE LOWREY
 J:\Projects\2017\1701010370_Veranda Add\17370 CAD\SHTS\05 Civil\Sw\17370-05-4100.dwg



MISCELLANEOUS DETAILS (STORM SEWER)		
CITY ENGINEER GARY L. JANZEN, P.E.		
PROJECT NUMBER 472-2022-085763	OCA NUMBER ####	DATE FEB 2023
CITY ENGINEER'S OFFICE CITY HALL - SEVENTH FLOOR 455 NORTH MAIN STREET WICHITA, KANSAS 67202-1620 (316) 268-4501		SHEET 14 OF 33

J:\Projects\2017\1701010370_Veranda Add\17370 CAD\SHTS\05 Civil\Sw\17370-05-4100.dwg
 SW-401