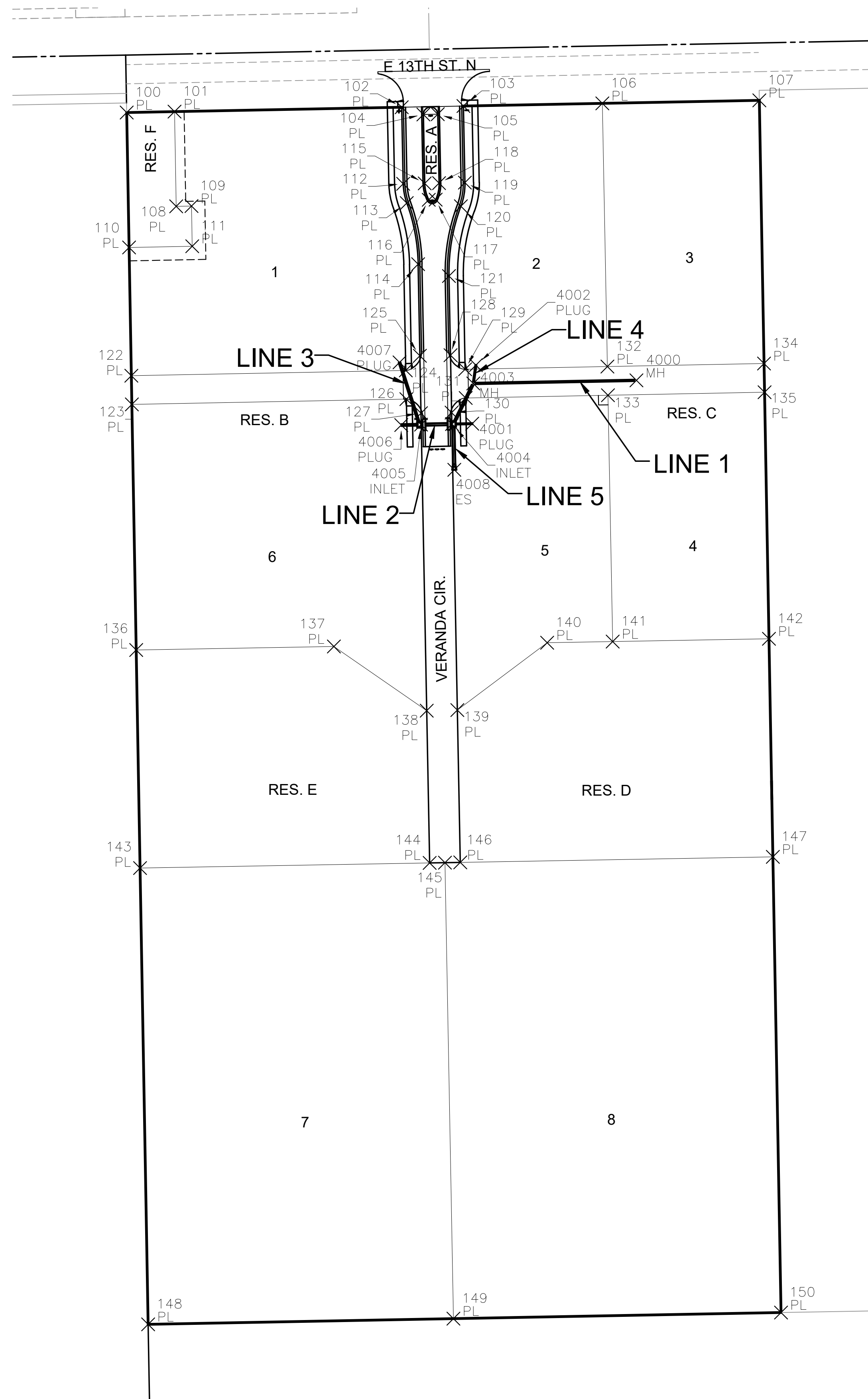


J:\PROJECTS\2017\1701010370_VERANDA.ADD\17270_CAD\SHOTS\505_CIVIL\PAV\17270-05-4500.DWG
 PLOTTED: Monday, February 06, 2023 @ 08:44AM



PLAT POINTS			
Point #	Northing	Easting	Desc.
100	1694367.70	1683650.31	PL
101	1694368.66	1683700.30	PL
102	1694373.23	1683937.68	PL
103	1694374.48	1684002.17	PL
104	1694365.67	1683960.33	PL
105	1694365.96	1683975.32	PL
106	1694377.27	1684147.32	PL
107	1694380.43	1684311.36	PL
108	1694269.68	1683702.06	PL
109	1694269.99	1683718.05	PL
110	1694226.72	1683652.81	PL
111	1694227.99	1683718.80	PL
112	1694293.23	1683939.22	PL
113	1694273.09	1683942.97	PL
114	1694209.27	1683954.84	PL
115	1694293.66	1683961.71	PL
116	1694276.54	1683965.93	PL
117	1694276.68	1683973.15	PL
118	1694293.95	1683976.71	PL
119	1694294.47	1684003.71	PL
120	1694269.79	1683999.50	PL
121	1694196.86	1683987.08	PL
122	1694092.74	1683655.18	PL
123	1694062.75	1683655.71	PL
124	1694098.27	1683941.97	PL
125	1694113.55	1683956.68	PL

PLAT POINTS			
Point #	Northing	Easting	Desc.
126	1694068.27	1683942.55	PL
127	1694053.56	1683957.84	PL
128	1694114.17	1683988.67	PL
129	1694099.46	1684003.96	PL
130	1694054.18	1683989.83	PL
131	1694069.46	1684004.54	PL
132	1694102.32	1684152.61	PL
133	1694072.33	1684153.19	PL
134	1694105.47	1684316.29	PL
135	1694075.48	1684316.82	PL
136	1693806.18	1683660.25	PL
137	1693809.84	1683866.83	PL
138	1693742.79	1683963.82	PL
139	1693743.40	1683995.81	PL
140	1693813.78	1684089.67	PL
141	1693814.99	1684158.15	PL
142	1693817.88	1684321.44	PL
143	1693578.35	1683664.28	PL
144	1693583.70	1683966.88	PL
145	1693583.99	1683982.88	PL
146	1693584.27	1683998.88	PL
147	1693590.05	1684325.51	PL
148	1693101.62	1683672.71	PL
149	1693107.57	1683991.71	PL
150	1693113.96	1684334.04	PL

STORM WATER SEWER POINTS			
Point #	Northing	Easting	Desc.
4000	1694087.90	1684182.95	MH
4001	1694042.62	1684011.33	PLUG
4002	1694103.76	1684015.18	PLUG
4003	1694084.62	1684012.48	MH
4004	1694042.21	1683990.23	INLET
4005	1694041.59	1683957.90	INLET
4006	1694041.19	1683937.19	PLUG
4007	1694106.67	1683935.43	PLUG
4008	1693994.42	1683992.65	ES

CONTROL POINTS

CONTROL POINTS:
 CP 2
 N: 1694401.257 E: 1683542.233 EL: 1378.300
 +CUT IN FRONT CENTER CURB INLET WITH MAGNAIL IN CENTER OF +CUT

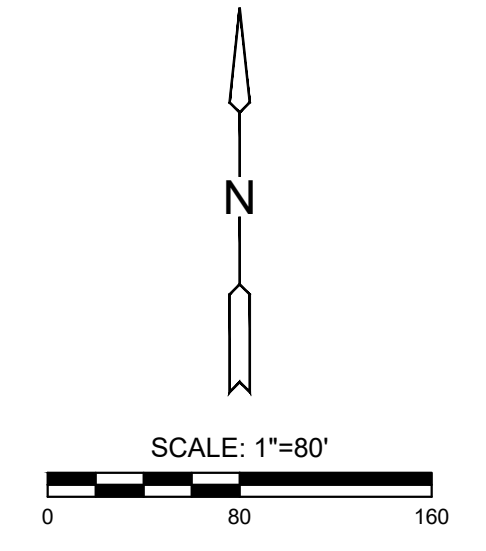
 CP 3
 N: 1694405.429 E: 1683912.609 EL: 1383.390
 MAGNAIL & WASHER SE CORNER CURB INLET

 CP 4
 N: 1694412.863 E: 1684311.498 EL: 1390.300
 MAGNAIL & WASHER SE CORNER CURB INLET

DATUM:
 THE HORIZONTAL DATUM IS BASED ON THE KANSAS COORDINATE SYSTEM OF 1983, NAD83(2011), EPOCH:2010.0000, SOUTH ZONE. COORDINATES SHOWN HAVE BEEN MODIFIED TO THE GROUND USING A COMBINED ADJUSTMENT FACTOR OF 1.0001200144. STATE PLANE COORDINATES CAN BE CALCULATED BY MULTIPLYING THE SHOWN VALUES BY 0.99988.

ALL ELEVATIONS SHOWN ARE BASED ON THE NAVD 88 VERTICAL DATUM, GEOID18.

NOTE:
 ALL CONTROL POINTS SHOWN HAVE ELEVATIONS ESTABLISHED USING STANDARD SURVEYING PROCEDURES AND CAN BE USED AS TEMPORARY BENCHMARKS. WHEN USING A CONTROL POINT AS A TEMPORARY BENCHMARK, IT IS RECOMMENDED THAT CROSS-CHECKS BE MADE TO OTHER CONTROL POINTS OR BENCHMARKS TO CONFIRM ELEVATIONS PRIOR TO USE.



EVERY ATTEMPT HAS BEEN MADE TO INSURE ALL COORDINATE VALUES SHOWN ARE AN ACCURATE AND TRUE REPRESENTATION OF THE CURRENT PLANS. ALL VALUES ARE TO BE CONFIRMED WITH THE FINAL SIGNED PLAN SET BEFORE USE.



PAVING & INCIDENTAL DRAINAGE PLANS FOR PHASE 1
VERANDA SECOND ADDITION
 PHASE 1

©2023
 MKEC Engineering
 All Rights Reserved
 www.mkec.com
 These drawings and their contents, including, but not limited to, all concepts, designs, & ideas are the exclusive property of MKEC Engineering (MKEC), and may not be used or reproduced in any way without the express consent of MKEC.

BUBBLE MAP

PROJECT NO.	472-2022-085763	
DATE	FEB 2023	
SCALE	1"=40'	
DESIGNED	MKB	
DRAWN	LAL	
CHECKED	SPE	
NO.	REVISION	DATE