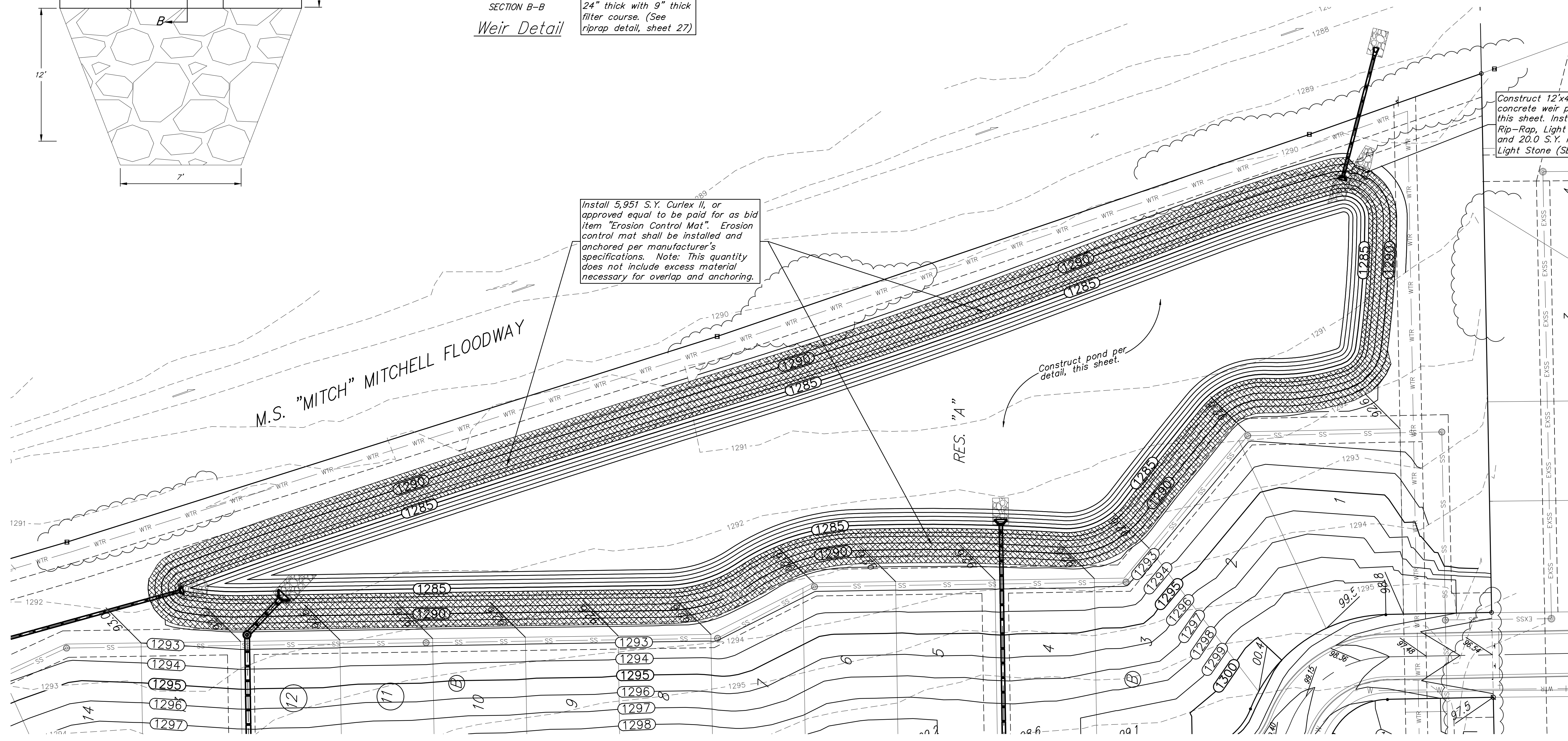
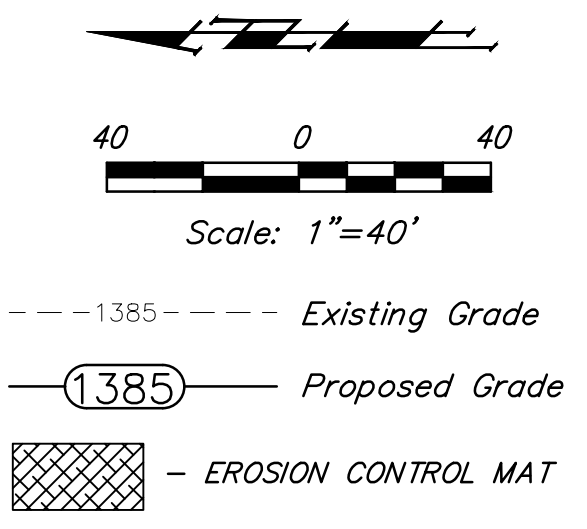
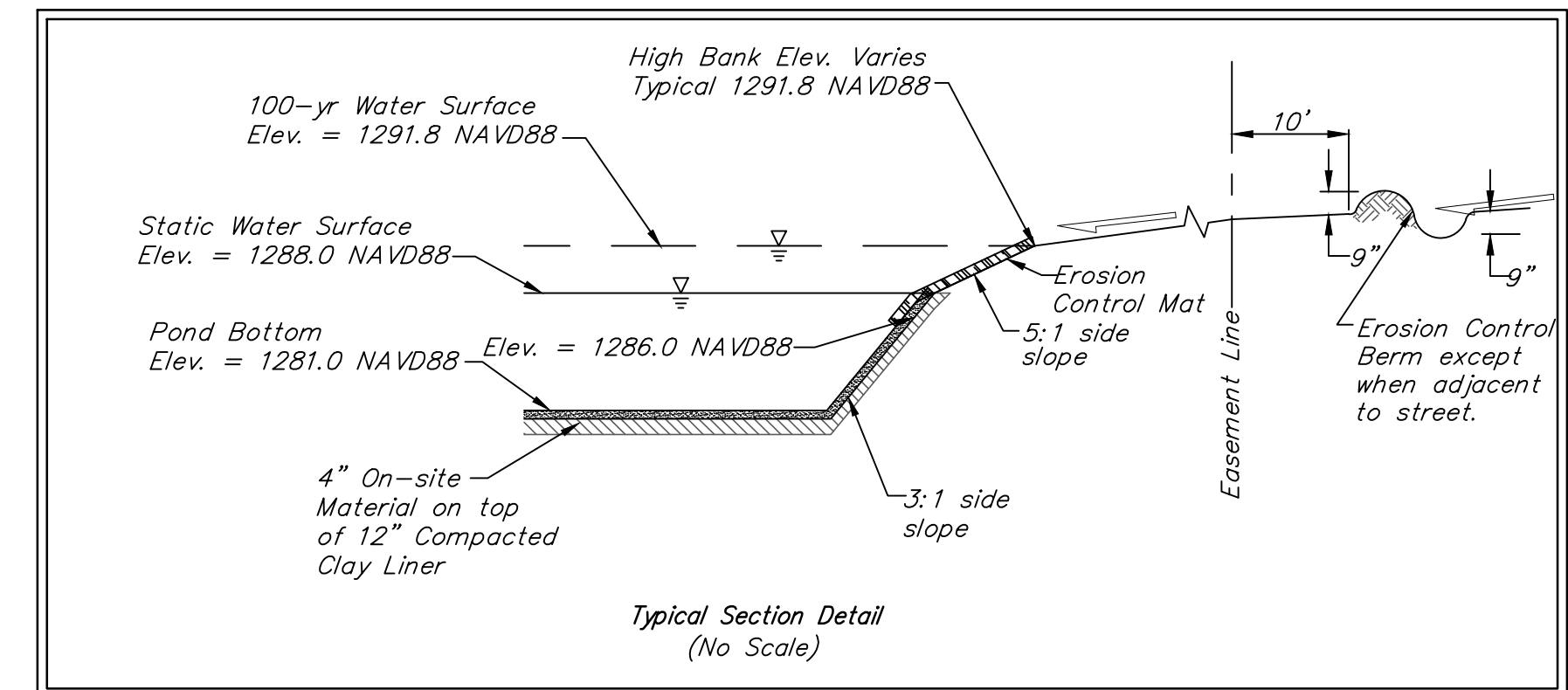


**Weir Detail**

5 - #4 Reinforcing Bars  
Welded Wire Mesh - 6" x 6"  
6" Concrete Thickness

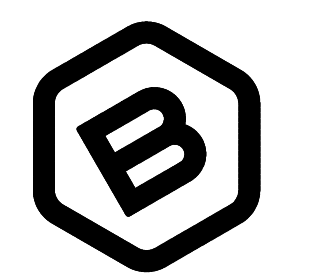
*\*Heavy Rip-rap shall be 24" thick with 9" thick filter course. (See riprap detail, sheet 27)*



Install 5,951 S.Y. Curlex II, or approved equal to be paid for as bid item "Erosion Control Mat". Erosion control mat shall be installed and anchored per manufacturer's specifications. Note: This quantity does not include excess material necessary for overlap and anchoring.

Construct 12'x4' reinforced concrete weir per detail, this sheet. Install 13.0 S.Y. Rip-Rap, Light Stone (NW) and 20.0 S.Y. Rip-Rap, Light Stone (SE)

Construct pond per detail, this sheet.



**BAUGHMAN COMPANY**

315 Ellis St.  
Wichita, KS 67211  
316-262-7271  
BaughmanCo.com

COLT MEADOWS ADD.

**POND PLAN "A"**

STORM WATER SEWER IMPROVEMENTS  
PROJECT NUMBER: 22-04-E163  
DESIGN: NBW DRAWN: TMS  
DATE: April 27, 2022  
SHEET OF 21 42

File: E:\Projects\Colt Meadows Addition\_21-01-P622\Engineering\Phase 1\SWD 22-04-E163\SWD.dwg