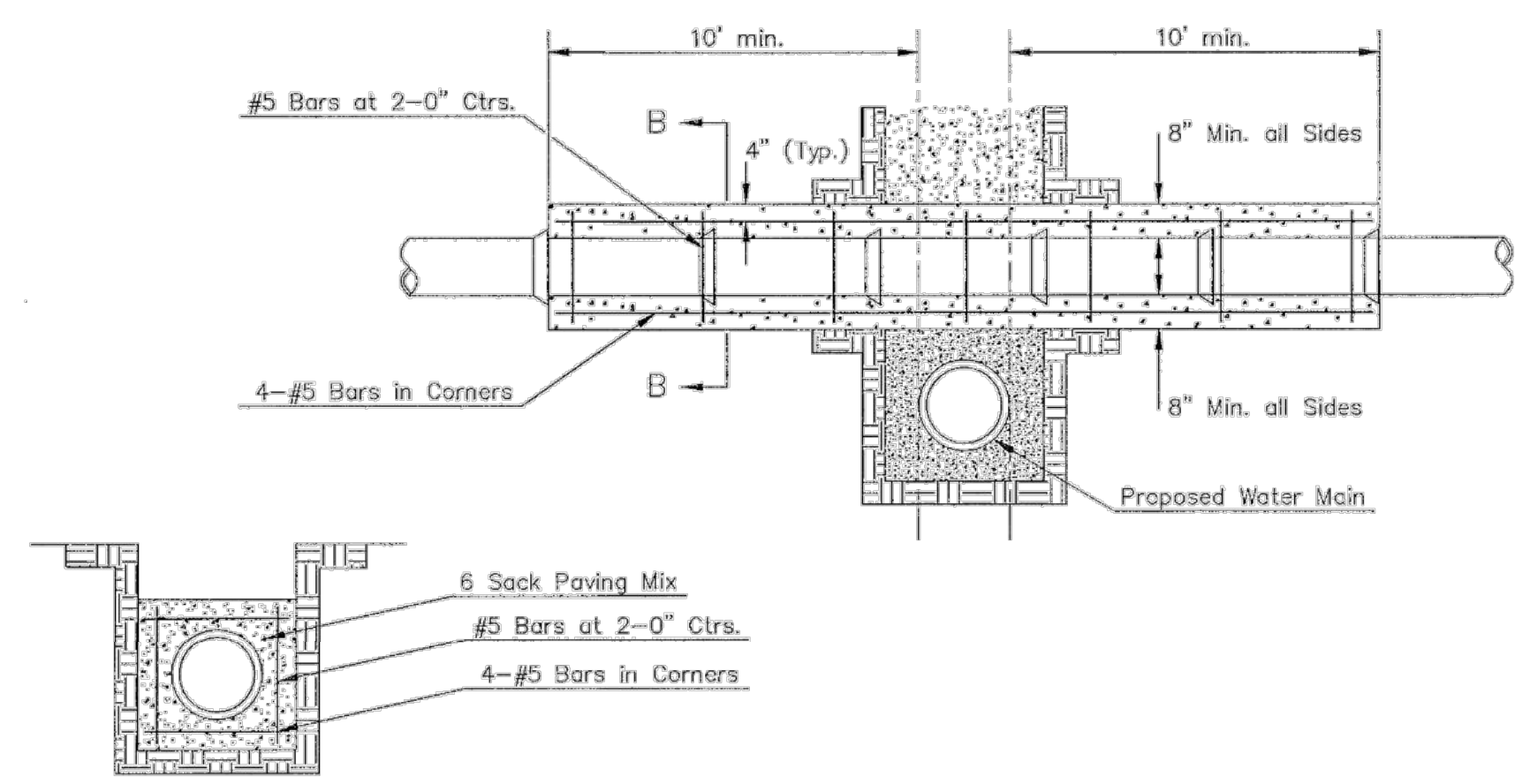


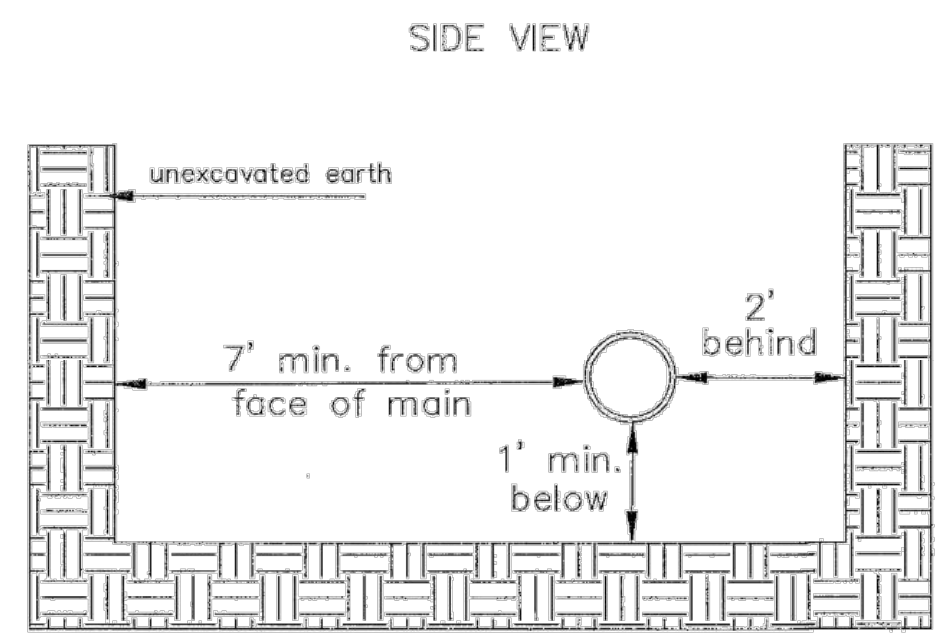
TRENCH COMPACTION IN ROAD RIGHT-OF-WAY



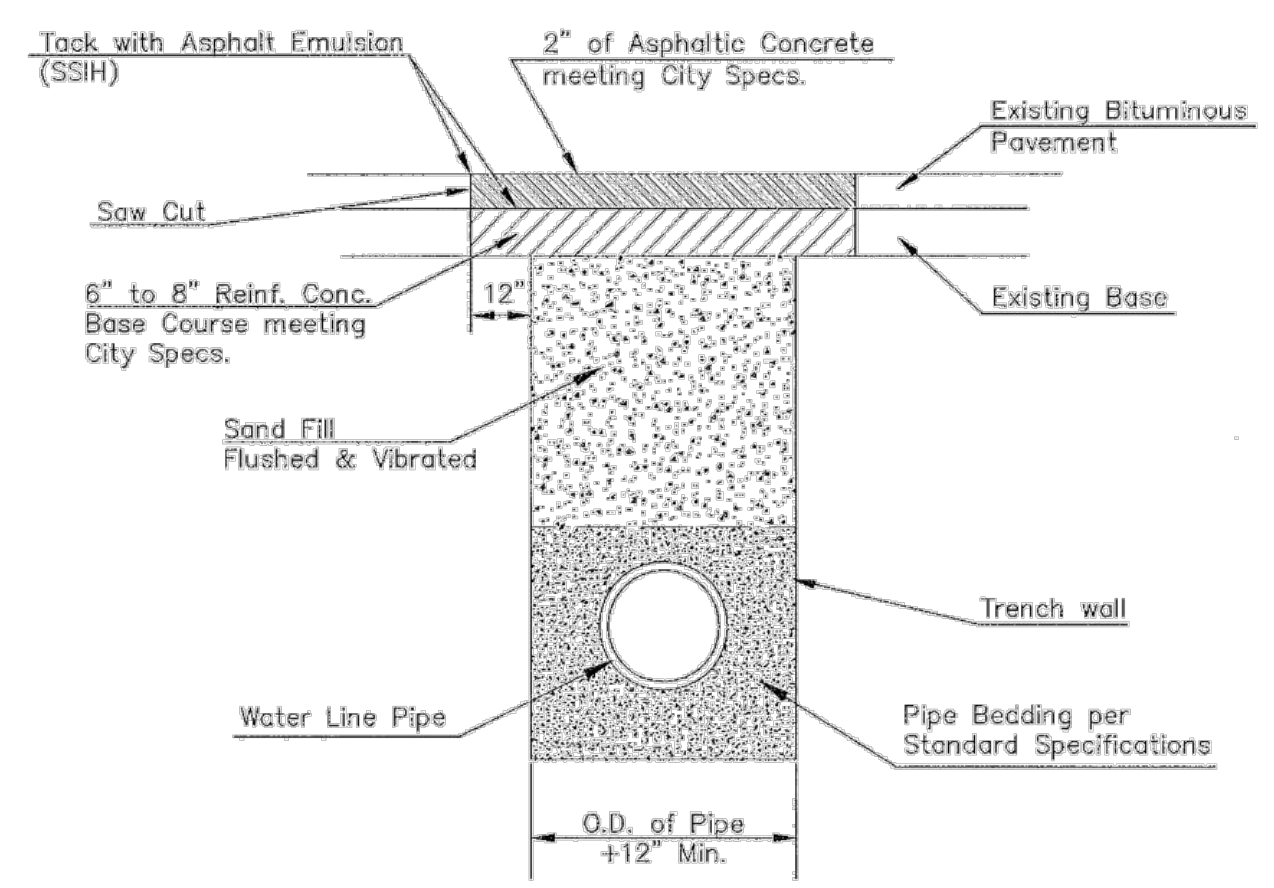
REINFORCED CONCRETE ENCASEMENT OF SANITARY SEWER

PIPE SIZE	THRUST AT FITTINGS IN TONS-AT 150#/IN <sup>2</sup> P					
	PLUG	90°	45°	22 1/2°	11 1/4°	TEE
6"	2.8	3.95	2.15	1.09	.55	2.8
8"	4.9	6.95	3.75	1.90	.96	4.9
12"	11.4	16.1	8.75	4.45	2.25	11.4
16"	20.15	28.5	15.4	7.85	3.95	20.15
20"	31.15	44.0	23.85	12.15	6.10	31.15
24"	44.55	63.0	34.1	17.4	8.75	44.55

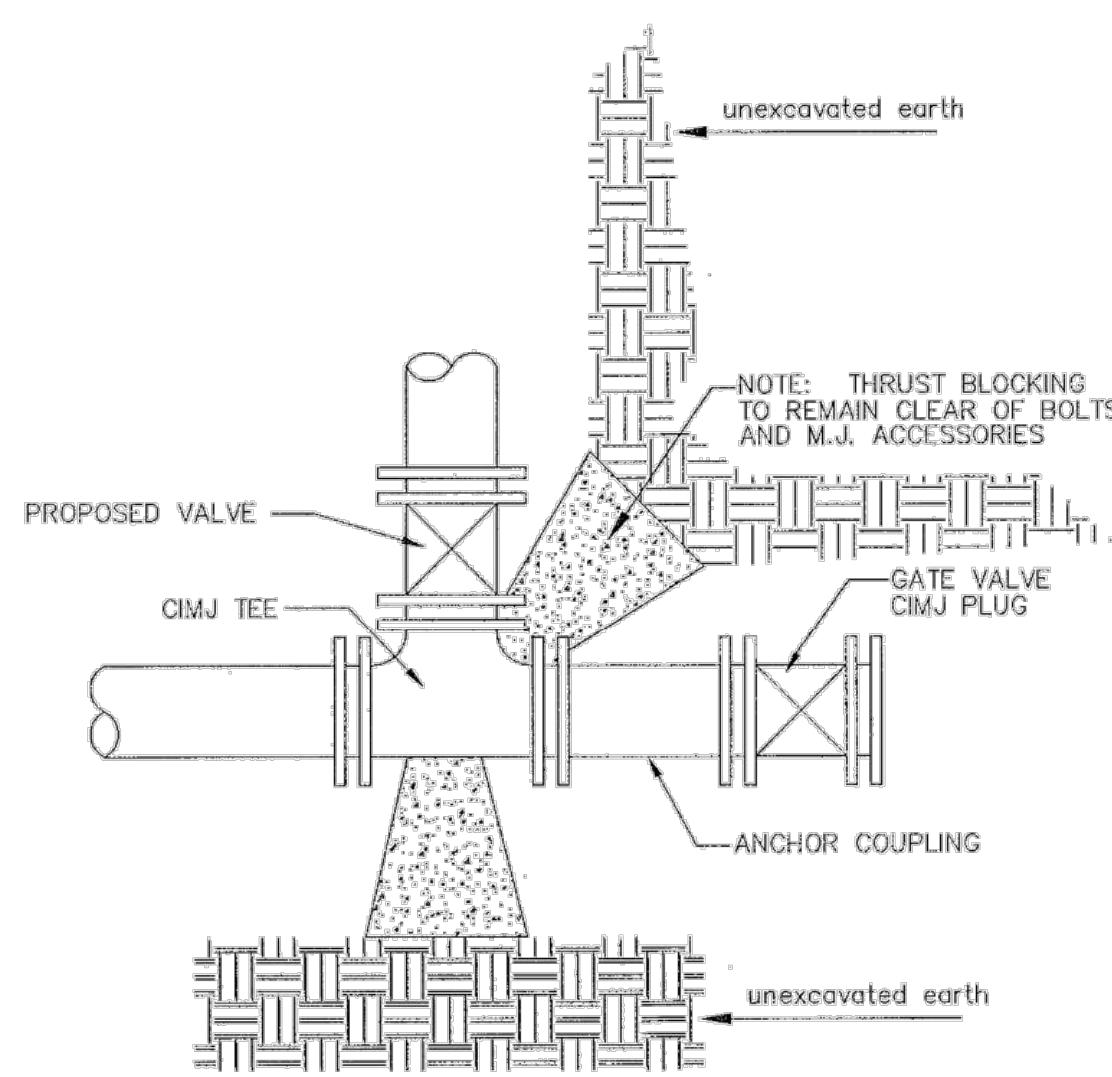
TYPICAL THRUST BLOCKS



EXCAVATION FOR WET TAP



PAVEMENT REPLACEMENT & TRENCH COMPACTION UNDER EXISTING AND PROPOSED CITY ROADS



KEY BLOCK DETAIL

\* PLANS GOVERN UNLESS OTHERWISE NOTED ON PLANS

Note: When shoring is required it is to be per The City of Wichita Standard Specifications.



MISCELLANEOUS WATER DETAILS		
CITY ENGINEER GARY JANZEN, P.E.		
PROJECT NUMBER	OCA NUMBER	DATE
CITY ENGINEER'S OFFICE CITY HALL - SEVENTH FLOOR 455 NORTH MAIN STREET WICHITA, KANSAS 67202-1620 (316) 268-4501		SHEET

WL-104

**BAUGHMAN COMPANY**  
315 Ellis St.  
Wichita, KS 67211  
316-262-7271  
BaughmanCo.com

MATHEWSON'S ADD

MISC. WATER DETAILS

SANITARY SEWER IMPROVEMENTS

PROJECT NUMBER: 19-05-E282

DESIGN: NBW DRAWN: JSB

DATE: January 6, 2023

SHEET 13 OF 13

File: E:\Projects\Indiana SS Replacement (22-06-0050)\Engineering\Phase 1\PPS\Indiana\_PPS.dwg