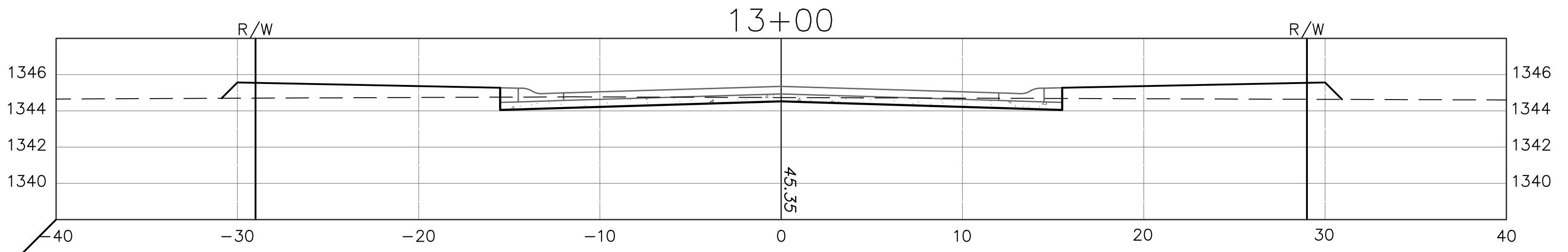
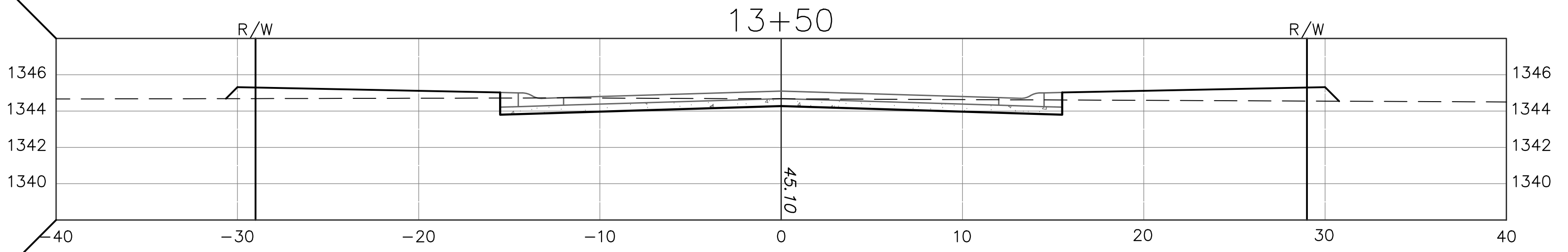


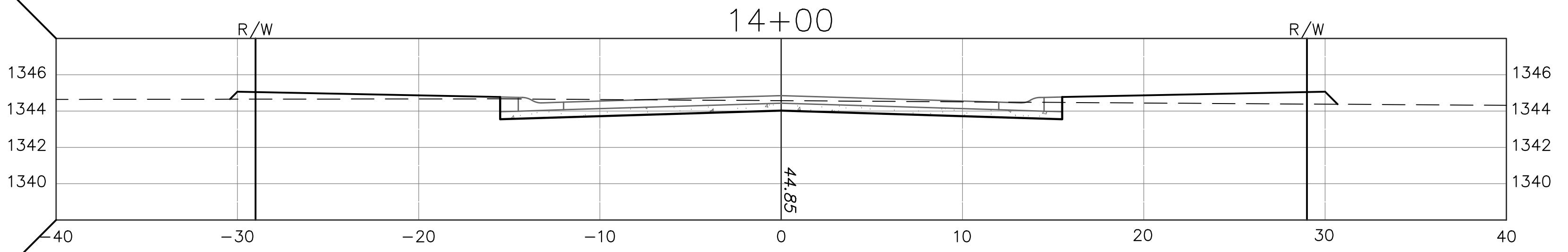
12+50-13+00
 CUT: 50.44
 LF: 20.81



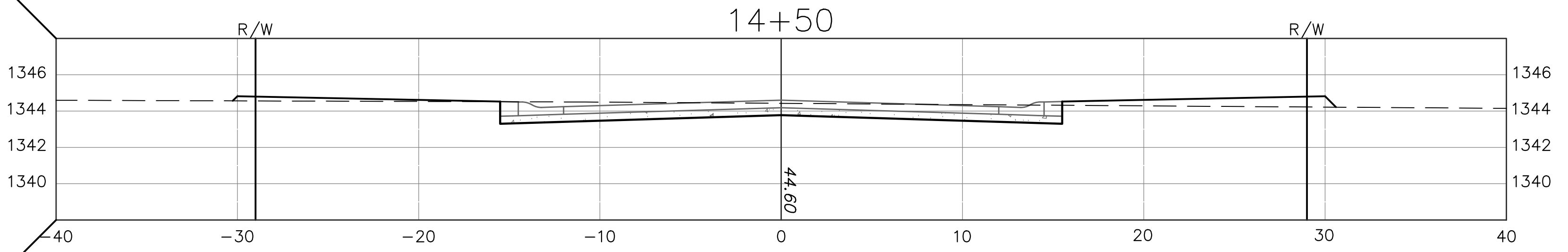
CUT: 31.01
 LF: 34.95



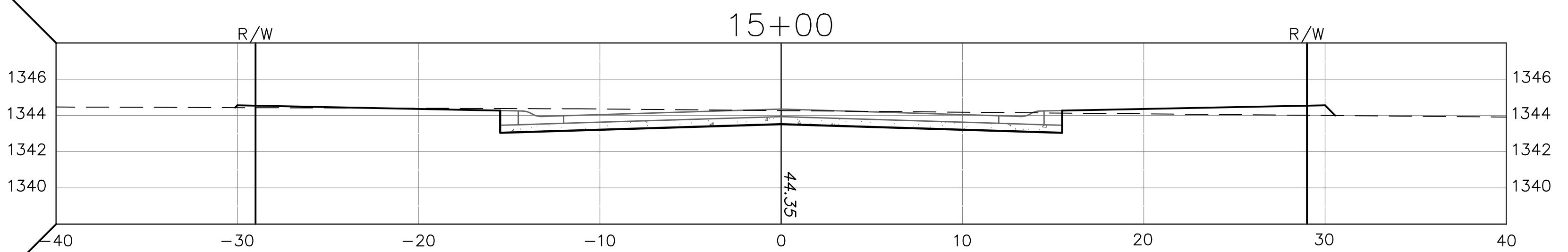
CUT: 40.74
 LF: 25.04



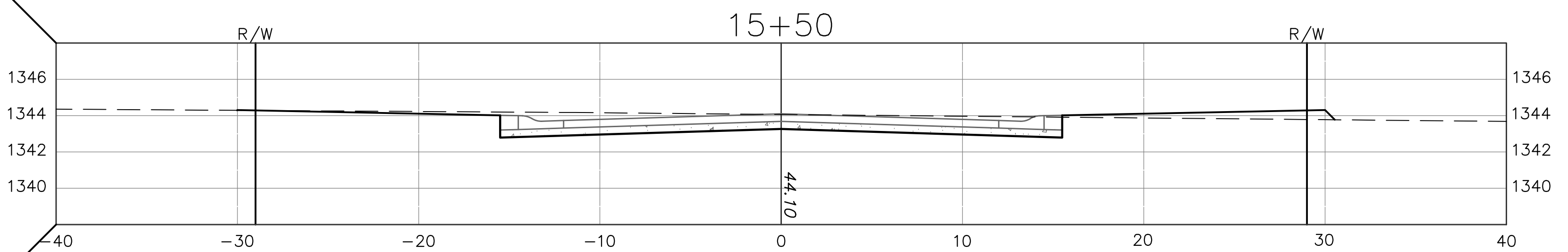
CUT: 47.94
 LF: 17.69



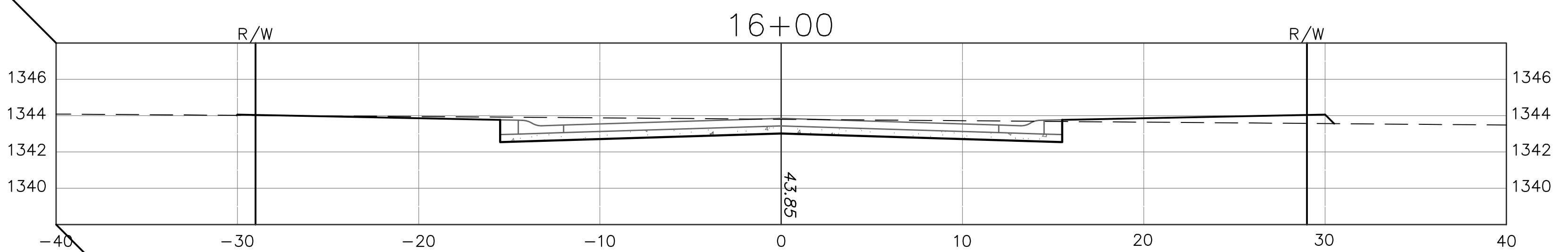
CUT: 54.03
 LF: 12.60



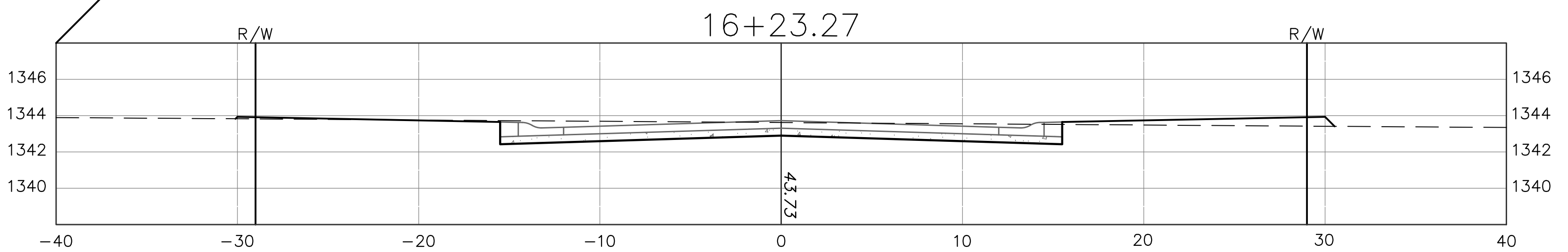
CUT: 59.42
 LF: 9.62



CUT: 60.92
 LF: 8.44



CUT: 26.96
 LF: 4.19



THIS SHEET
 CUT: 371.44
 LF: 133.34

		Cedar Dale Addition Cross Sections Wichita, Kansas	
117 E. Leola, Wichita, KS 67202 (316)944-0924	PROJECT NUMBER	KEMILLER ENGINEERING PA	PROJECT NUMBER
KEMILLER ENGINEERING PA	DESIGN KM	FILE 20130	DRAWN ZS
DATE 04/20/22	REVISIONS	SHEET 6.1	SHEET